
	Product Information CDM5-25	Manufacturer	CNP
		Address	Yuhang District, Hangzhou, Zhejiang,
		Contact	86-571-88637351
		Date	2022/07/26
Project Name		Client Name	DPA
Item NO		Client Addr.	
		Contacts	Alireza
		Contact	

Part NO.	1100092286
----------	------------

Product Picture	Note
	<p>CDM/CDMF pumps are new generation, high efficiency, non-self-priming vertical multistage centrifugal pumps (Abbr. as pumps). It referred to European standard, adopted entirely new industrial design, efficiency achieved $MEI \geq 0.7$. It is energy saving, low noise, environment friendly, compact design, beautiful shape, light weight, easy for service, high reliability.</p>

Nameplate parameters

flow	5 m ³ /h
head	155 m
Efficiency	69
speed	2900
number of stages	25

technology

Pump rotator speed	2900
Nameplate standards	CE
Pump version	2

Material

Impeller	304
Rubber code	P
Inlet&outlet chamber	HT200
Material Code	P

Installation


Connection Code	F
Maximum Pressure/Temperatur	24 bar / 120 °C
Maximum Pressure/Temperatur	24 bar / -15 °C
Flange Standard	DIN
Pressure Class	PN25
Inlet & outlet	DN32

Medium

Medium Temperature normal	-15°C+70°C
Medium Temperature high t	-15°C+120°C
Maximum Environment Temper	40°C

Motor

Number of Motor Phase	Three Phase
Protection Class	IP55
Insulation Class	F
Motor Power	4KW
Power Frequency	50HZ
Rated Voltage (V)	380V
Rated Current (A)	7.8A
Energy Efficiency Level	IE3

	Product Information CDM5-25	Manufacturer	CNP
		Address	Yuhang District, Hangzhou, Zhejiang,
		Contact	86-571-88637351
		Date	2022/07/26
Project Name		Client Name	DPA
		Client Addr.	
Item NO		Contacts	Alireza
		Contact	

Seal

Mechanical Seal CDLA-12/WBF14

Others

Weight (kg) 66





Performance Curve

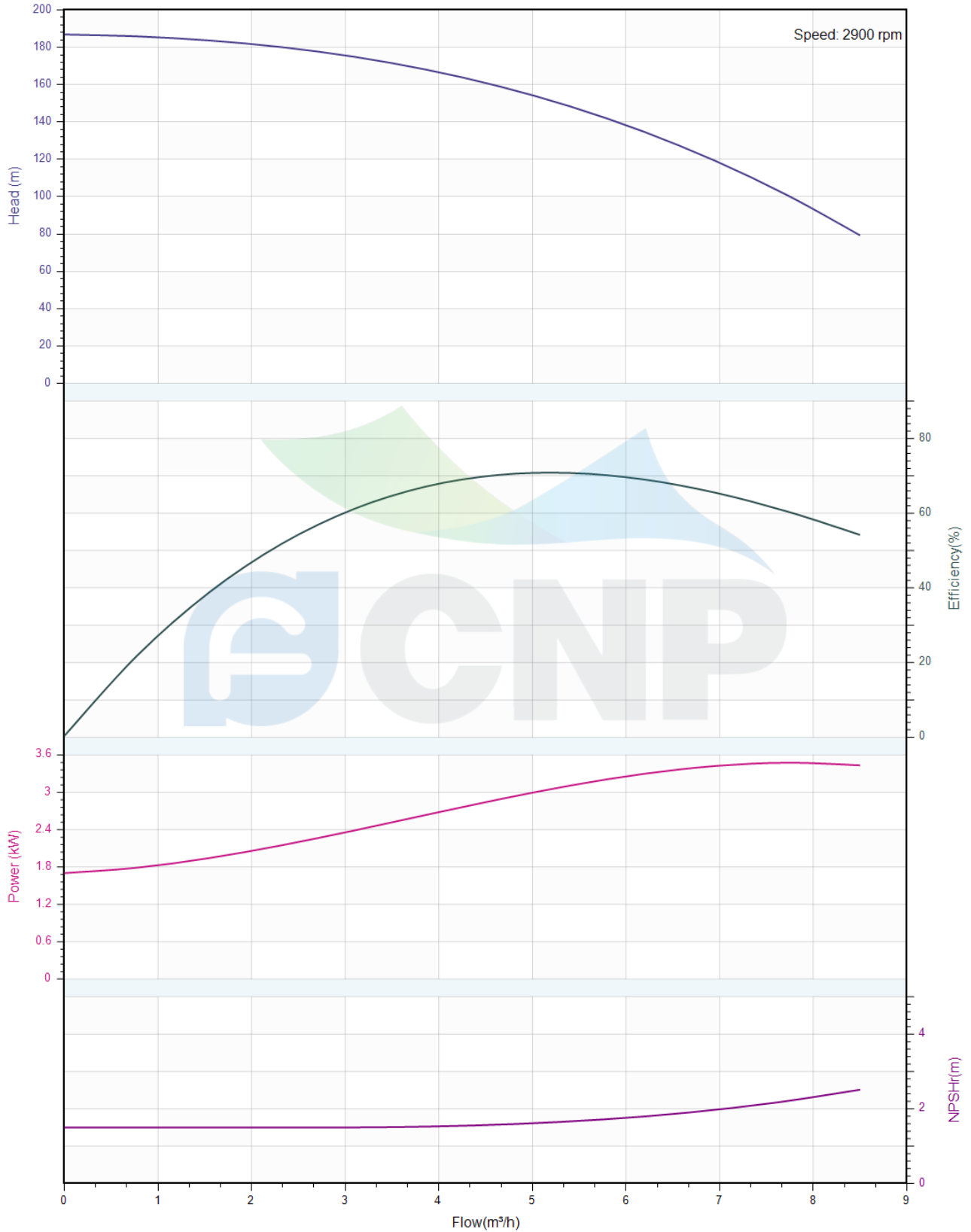
CDM5-25

Manufacturer	CNP
Address	Yuhang District, Hangzhou, Zhejiang,
Contact	86-571-88637351
Date	2022/07/26
Client Name	DPA
Client Addr.	
Contacts	Alireza
Contact	

Project Name

Item NO

The hydraulic performance curve have been tested with Clean Water at 20°C, density 1000kg/m³, and at 1bar atmospheric pressure. GB32162016 Grande 3B





Pump Technical Parameters

CDM5-25

Manufacturer	CNP
Address	Yuhang District, Hangzhou, Zhejiang,
Contact	86-571-88637351
Date	2022/07/26
Client Name	DPA
Client Addr.	
Contacts	Alireza
Contact	

Project Name

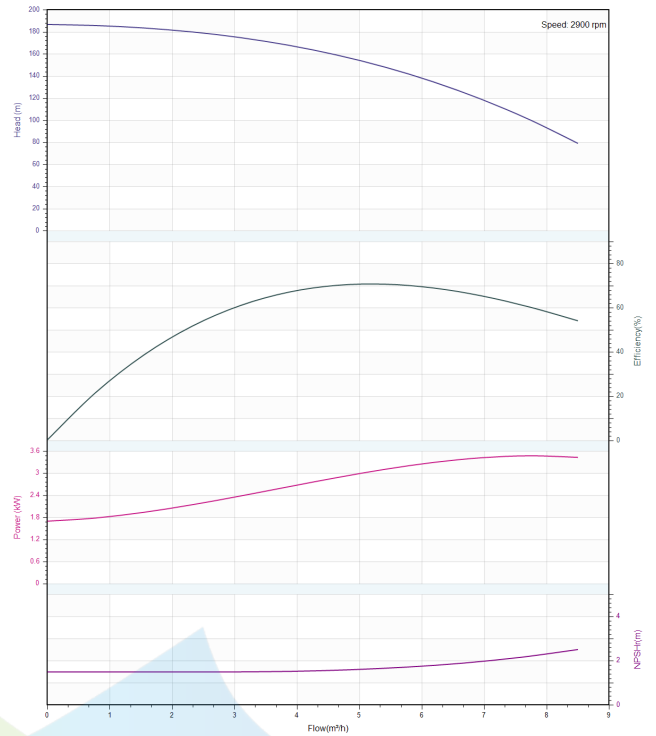
Item NO

Rated parameters

Pump model	CDM5-25
Part NO.	1100092286
Rated flow	5 m ³ /h
Rated head	155 m
Rated efficiency (%)	69
Power (kW)	3.02
NPSHr (m)	1.6
Speed (rpm)	2900
Max impeller diameter (mm)	82

Medium

Pumped medium	Clean Water
Working temperature (°C)	20
Medium density (kg/m ³)	1000
Viscosity (mm ² /s)	1





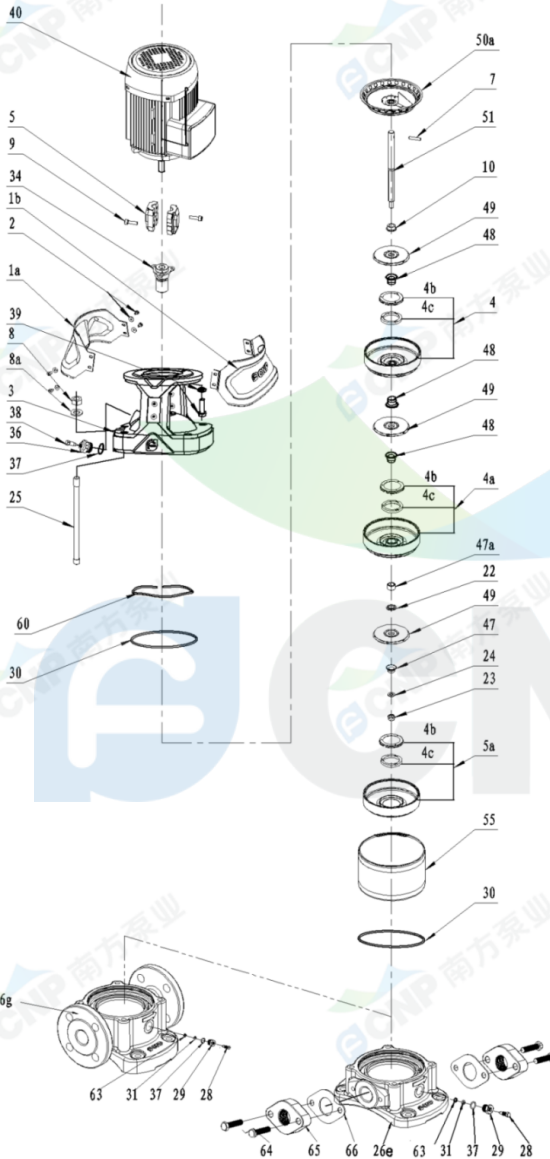
Structure picture CDM5-25

Manufacturer	CNP
Address	Yuhang District, Hangzhou, Zhejiang,
Contact	86-571-88637351
Date	2022/07/26
Client Name	DPA
Client Addr.	
Contacts	Alireza
Contact	

Project Name

Item NO

CDM5



- 1a、Coupling guard-left
- 1b、Coupling guard-right
- 2、Screw, washer
- 3、Pump head
- 4、Diffuser
- 4a、Support diffuser
- 4b、Neck ring cover
- 4c、Neck ring
- 5、Coupling
- 5a、Inducer
- 7、Shaft pin
- 8、Nut M12
- 8a、Washer 12
- 9、Screw
- 10、Stop sleeve
- 22、Supporting washer
- 23、Nut M8-LH
- 24、Impeller washer
- 25、Staybolt
- 26g、Inlet&outlet chamber-Flange type
- 26e、Inlet&outlet chamber-oval flange type
- 28、Drain screw M10
- 29、Drain plug
- 30、O ring 136.5×3.3
- 31、Y ring
- 34、Mechanical seal
- 36、Air vent plug
- 37、O ring 16×2.8
- 38、Air vent screw
- 39、Bolt washer
- 40、Motor
- 47、Impeller sleeve 9.6×12.6
- 47a、Bearing
- 48、Impeller sleeve 13×12.6
- 49、Impeller
- 50a、Top diffuser
- 51、Shaft
- 55、Cylinder
- 60、Corrugated spring
- 63、O ring retainer
- 64、Bolt M10×40
- 65、Oval flange
- 66、Oval flange gasket



Physical picture
CDM5-25

Manufacturer	CNP
Address	Yuhang District, Hangzhou, Zhejiang,
Contact	86-571-88637351
Date	2022/07/26
Client Name	DPA
Client Addr.	
Contacts	Alireza
Contact	

Project Name

Item NO

