	<b>Product Information</b> <b>CDLK42-60/6-2</b>	Manufacturer	CNP
		Address	Yuhang District, Hangzhou, Zhejiang,
Project Name		Contact	86-571-88637351
		Date	2022/07/19
Item NO		Client Name	DPA
		Client Addr.	
		Contacts	Alireza
		Contact	

Part NO.	1100057275
----------	------------

Product Picture	Note
	<p>Product introduction</p> <p>CDLK/CDLKF is non-self priming multi-stage centrifugal pump installed with standard motor. The motor shaft is directly connected with the pump shaft through coupling. The impellers and diffusers are made of stainless steel plate stamping and welding. In order to meet the requirement of installation depth of the water tank or vessel, it is possible to install cavity diffusers for changing length of the pump.</p> <p>Performance and advantages</p> <p>Compact structure  Convenient maintenance  Changeable installation depth</p>

<b>technology</b>	
Pump rotator speed	2900
Nameplate standards	CE
<b>Material</b>	
Impeller	304
Rubber code	P
Material Code	S
<b>Medium</b>	
Medium Temperature normal	-15+70
Medium Temperature high t	-15+105
Maximum Environment Temper	40
<b>Motor</b>	
Number of Motor Phase	Three Phase
Protection Class	IP55
Insulation Class	F
Motor Power	22KW
Power Frequency	50HZ
Rated Voltage (V)	380V
Rated Current (A)	41.1A
Energy Efficiency Level	IE3
<b>Seal</b>	
Mechanical Seal	CDLA-22/WSF14
<b>Others</b>	
Weight (kg)	226



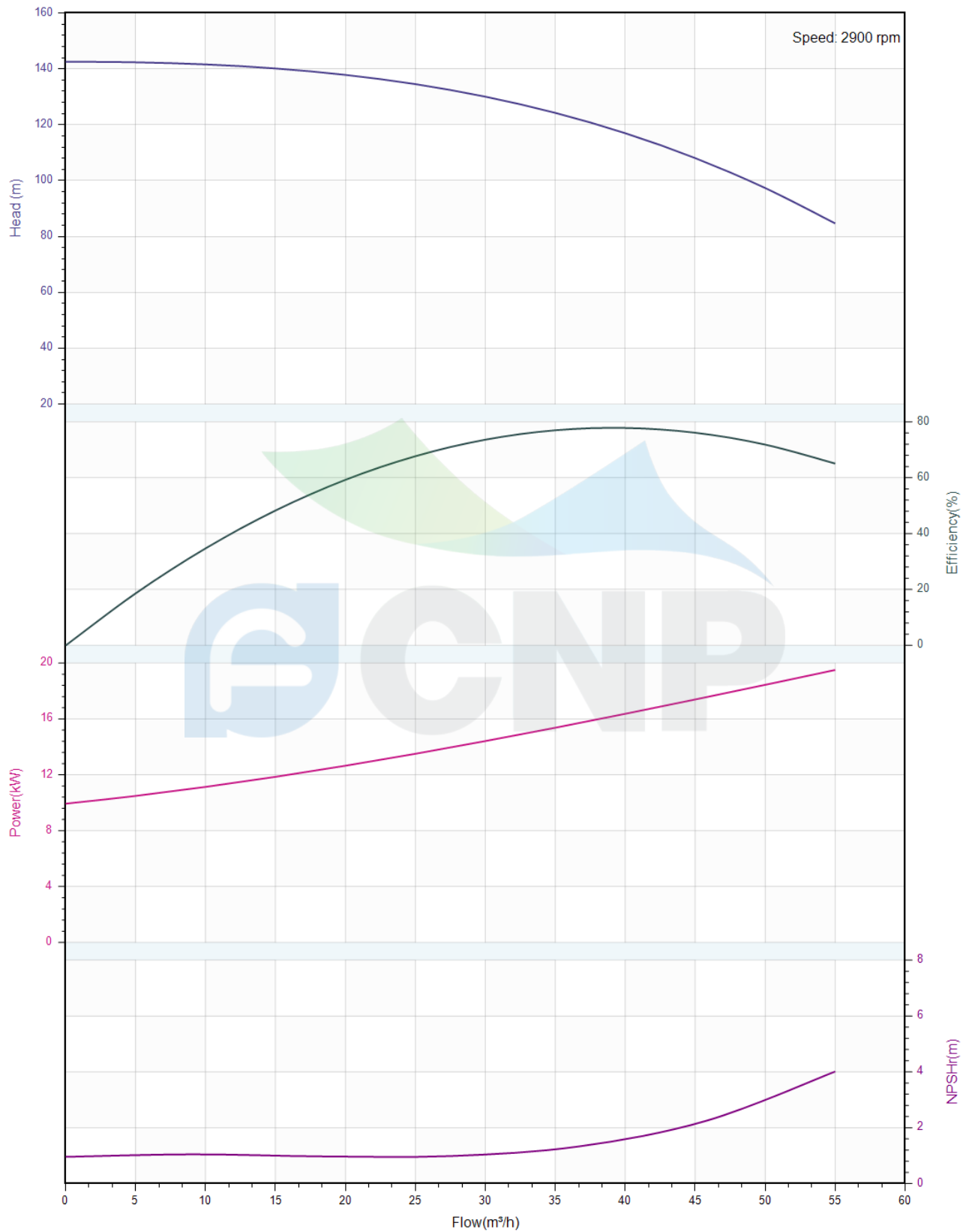
### Performance Curve CDLK42-60/6-2

Manufacturer	CNP
Address	Yuhang District, Hangzhou, Zhejiang,
Contact	86-571-88637351
Date	2022/07/19
Client Name	DPA
Client Addr.	
Contacts	Alireza
Contact	

Project Name

Item NO

The hydraulic performance curve have been tested with Clean Water at 20°C, density 1000kg/m<sup>3</sup>, and at 1bar atmospheric pressure. ISO99062012 Grade 3B





## Pump Technical Parameters

### CDLK42-60/6-2

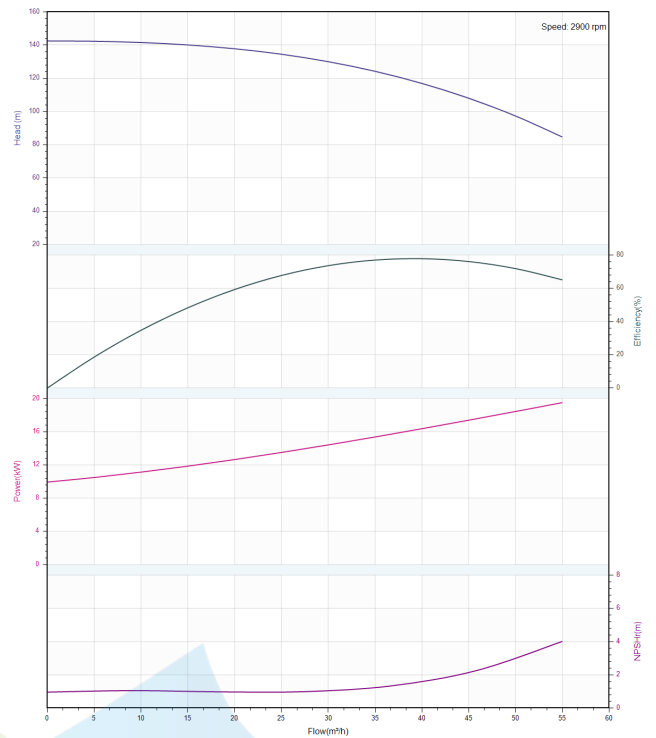
Manufacturer	CNP
Address	Yuhang District, Hangzhou, Zhejiang,
Contact	86-571-88637351
Date	2022/07/19
Client Name	DPA
Client Addr.	
Contacts	Alireza
Contact	


#### Rated parameters

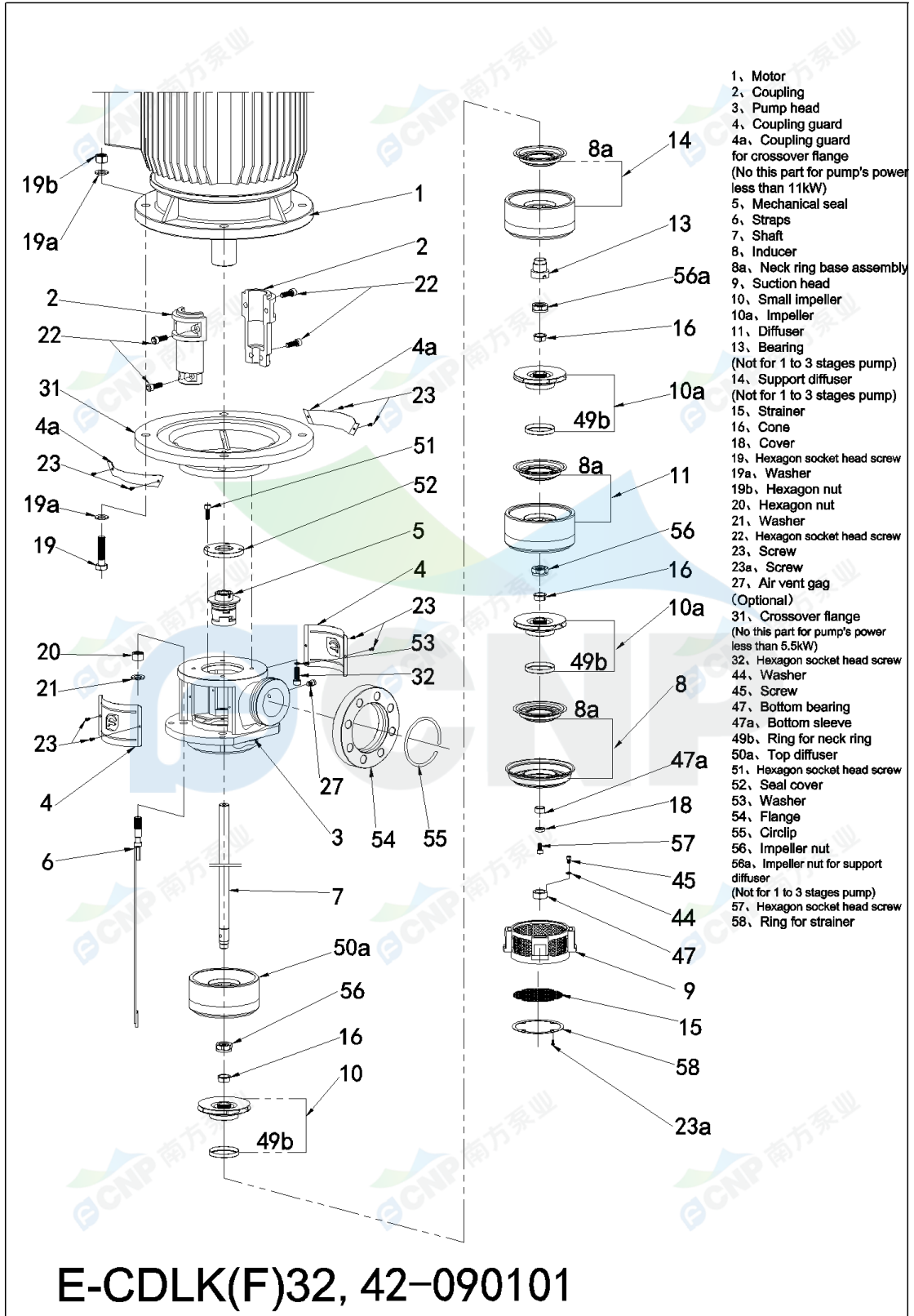
Pump model	CDLK42-60/6-2
Part NO.	1100057275
Rated flow (m <sup>3</sup> /h)	42
Rated head (m)	113
Rated efficiency (%)	71
Power (kW)	18.22
NPSHr (m)	3
Speed (rpm)	2900
Max impeller diameter (mm)	136

#### Medium

Pumped medium	Clean Water
Working temperature (°C)	20
Medium density (kg/m <sup>3</sup> )	1000
Viscosity (mm <sup>2</sup> /s)	1



	<b>Structure picture</b> <b>CDLK42-60/6-2</b>	Manufacturer	CNP
		Address	Yuhang District, Hangzhou, Zhejiang,
Project Name		Contact	86-571-88637351
		Date	2022/07/19
		Client Name	DPA
Item NO		Client Addr.	
		Contacts	Alireza
		Contact	





# Dimension Drawing

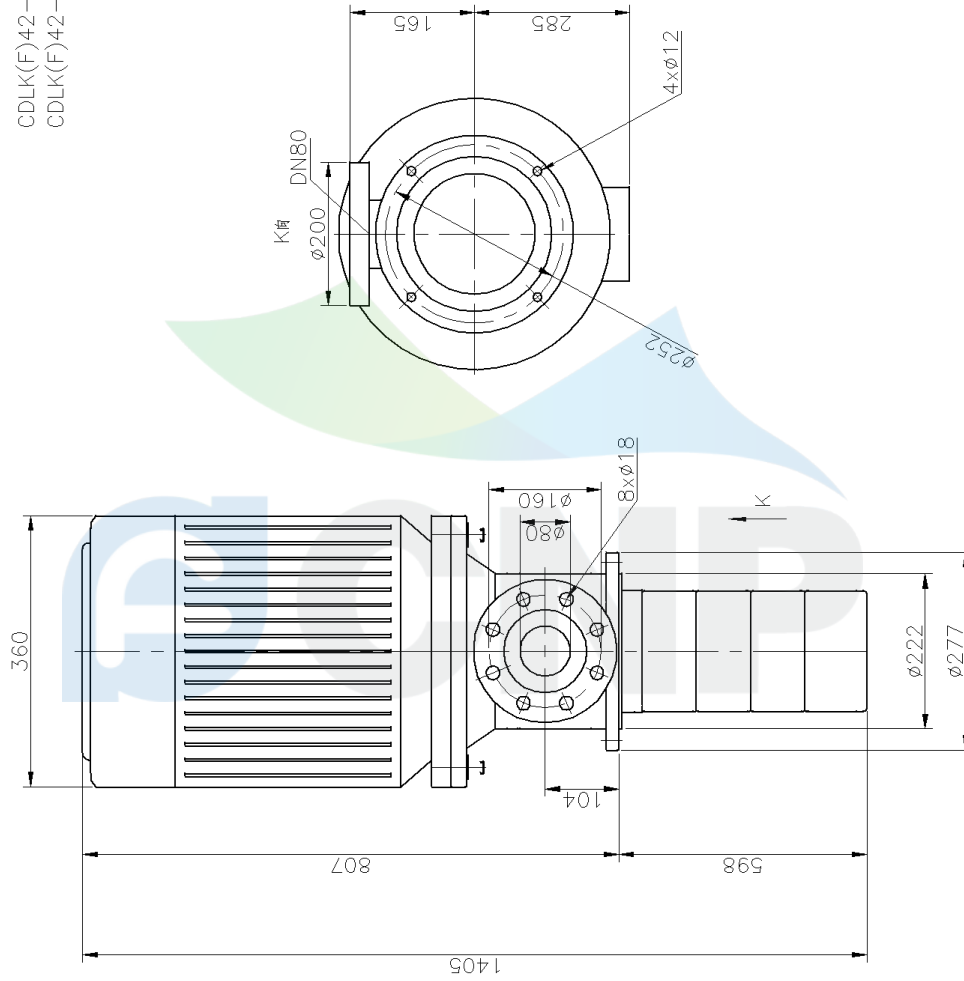
## CDLK42-60/6-2

Manufacturer	CNP
Address	Yuhang District, Hangzhou, Zhejiang,
Contact	86-571-88637351
Date	2022/07/19
Client Name	DPA
Client Addr.	
Contacts	Alireza
Contact	

Project Name

Item NO

CDLK(F)42-60/6-2 50Hz  
 CDLK(F)42-60/6 50Hz



描图  
 描校  
 旧底图总号  
 底图总号  
 签字  
 日期