


|  |  |              |                                      |
|--|--|--------------|--------------------------------------|
|  | <b>Product Information</b><br><b>CDLK32-80/8-2</b> | Manufacturer | CNP                                  |
|  |  | Address      | Yuhang District, Hangzhou, Zhejiang, |
| Project Name   |  | Contact      | 86-571-88637351                      |
|  |  | Date         | 2022/07/17                           |
| Item NO  |  | Client Name  | DPA                                  |
|  |  | Client Addr. |                                      |
|  |  | Contacts     | Alireza                              |
|  |  | Contact      |                                      |

|          |            |
|----------|------------|
| Part NO. | 1100057133 |
|----------|------------|

|   |   |
|---|---|
| Product Picture   | Note  |
|  | <p>Product introduction</p> <p>CDLK/CDLKF is non-self priming multi-stage centrifugal pump installed with standard motor. The motor shaft is directly connected with the pump shaft through coupling. The impellers and diffusers are made of stainless steel plate stamping and welding. In order to meet the requirement of installation depth of the water tank or vessel, it is possible to install cavity diffusers for changing length of the pump.</p> <p>Performance and advantages</p> <p>Compact structure<br/> Convenient maintenance<br/> Changeable installation depth</p> |

|                            |               |
|----------------------------|---------------|
| <b>technology</b>          |               |
| Pump rotator speed         | 2900          |
| Nameplate standards        | CE            |
| <b>Material</b>            |               |
| Impeller                   | 304           |
| Rubber code                | P             |
| Material Code              | S             |
| <b>Medium</b>              |               |
| Medium Temperature normal  | -15+70        |
| Medium Temperature high t  | -15+105       |
| Maximum Environment Temper | 40            |
| <b>Motor</b>               |               |
| Number of Motor Phase      | Three Phase   |
| Protection Class           | IP55          |
| Insulation Class           | F             |
| Motor Power                | 15KW          |
| Power Frequency            | 50HZ          |
| Rated Voltage (V)          | 380V          |
| Rated Current (A)          | 28.4A         |
| Energy Efficiency Level    | IE3           |
| <b>Seal</b>                |               |
| Mechanical Seal            | CDLA-22/WSF14 |
| <b>Others</b>              |               |
| Weight (kg)                | 167           |



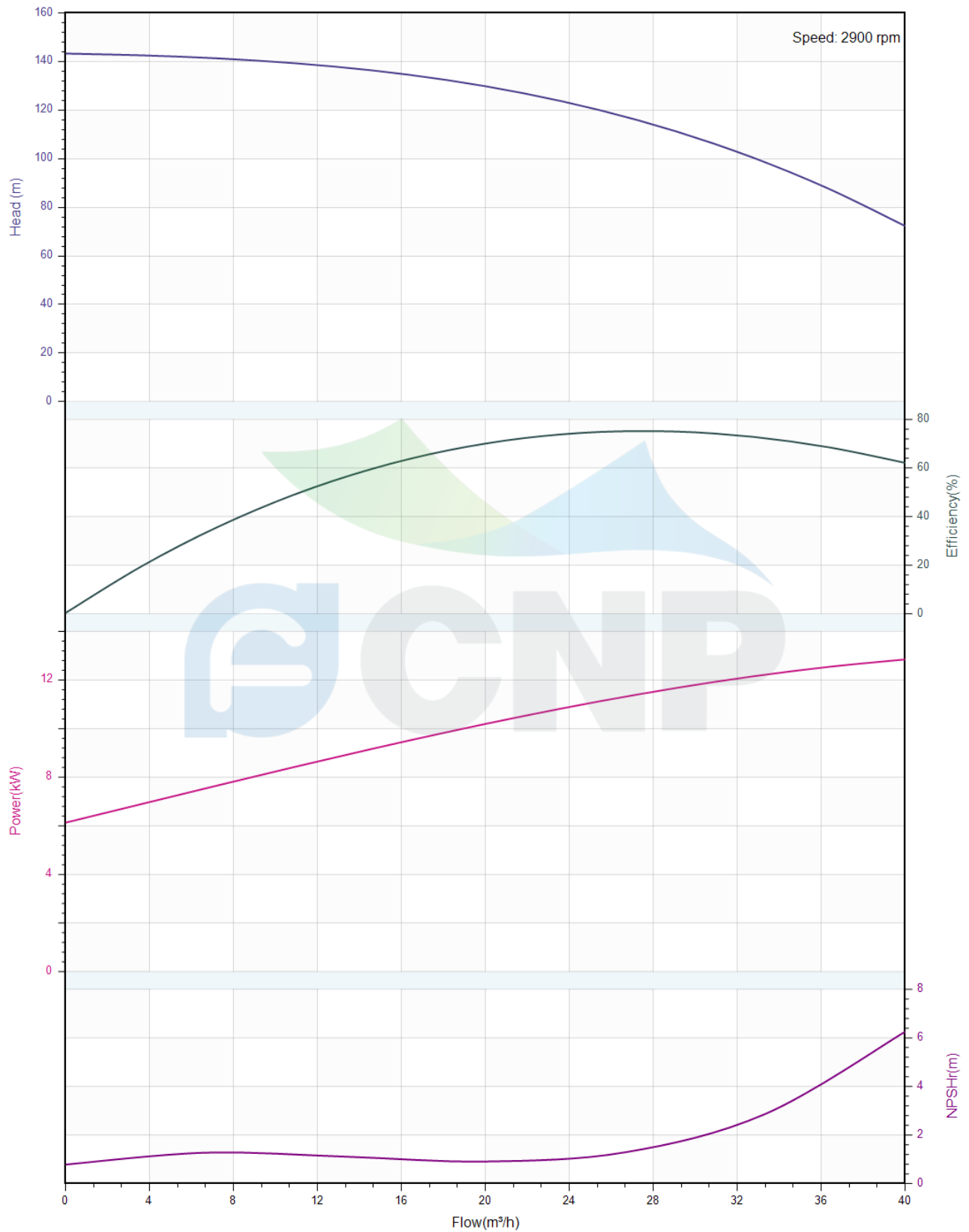
### Performance Curve CDLK32-80/8-2

|              |                                      |
|--------------|--------------------------------------|
| Manufacturer | CNP                                  |
| Address      | Yuhang District, Hangzhou, Zhejiang, |
| Contact      | 86-571-88637351                      |
| Date         | 2022/07/17                           |
| Client Name  | DPA                                  |
| Client Addr. |                                      |
| Contacts     | Alireza                              |
| Contact      |                                      |

Project Name

Item NO

The hydraulic performance curve have been tested with Clean Water at 20°C, density 1000kg/m<sup>3</sup>, and at 1bar atmospheric pressure. ISO99062012 Grade 3B





## Pump Technical Parameters CDLK32-80/8-2

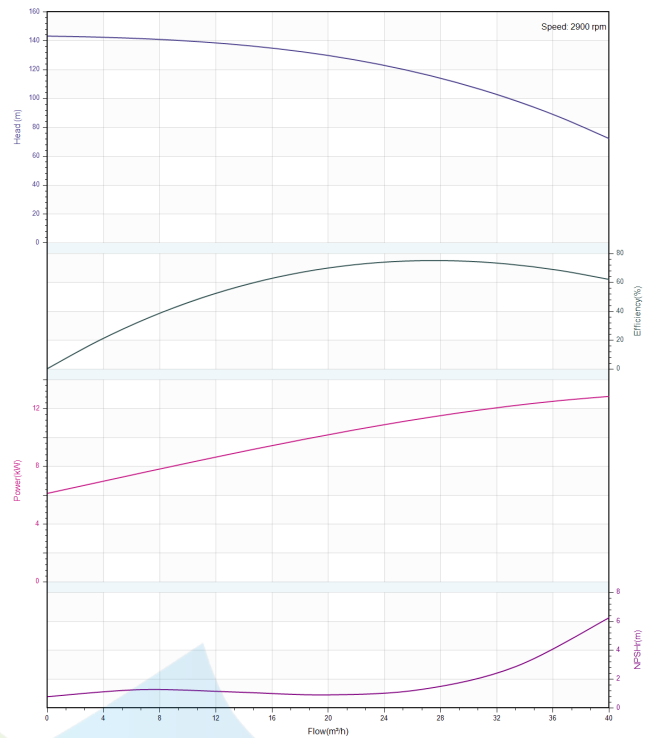
|              |                                      |
|--------------|--------------------------------------|
| Manufacturer | CNP                                  |
| Address      | Yuhang District, Hangzhou, Zhejiang, |
| Contact      | 86-571-88637351                      |
| Date         | 2022/07/17                           |
| Client Name  | DPA                                  |
| Client Addr. |                                      |
| Contacts     | Alireza                              |
| Contact      |                                      |


### Rated parameters

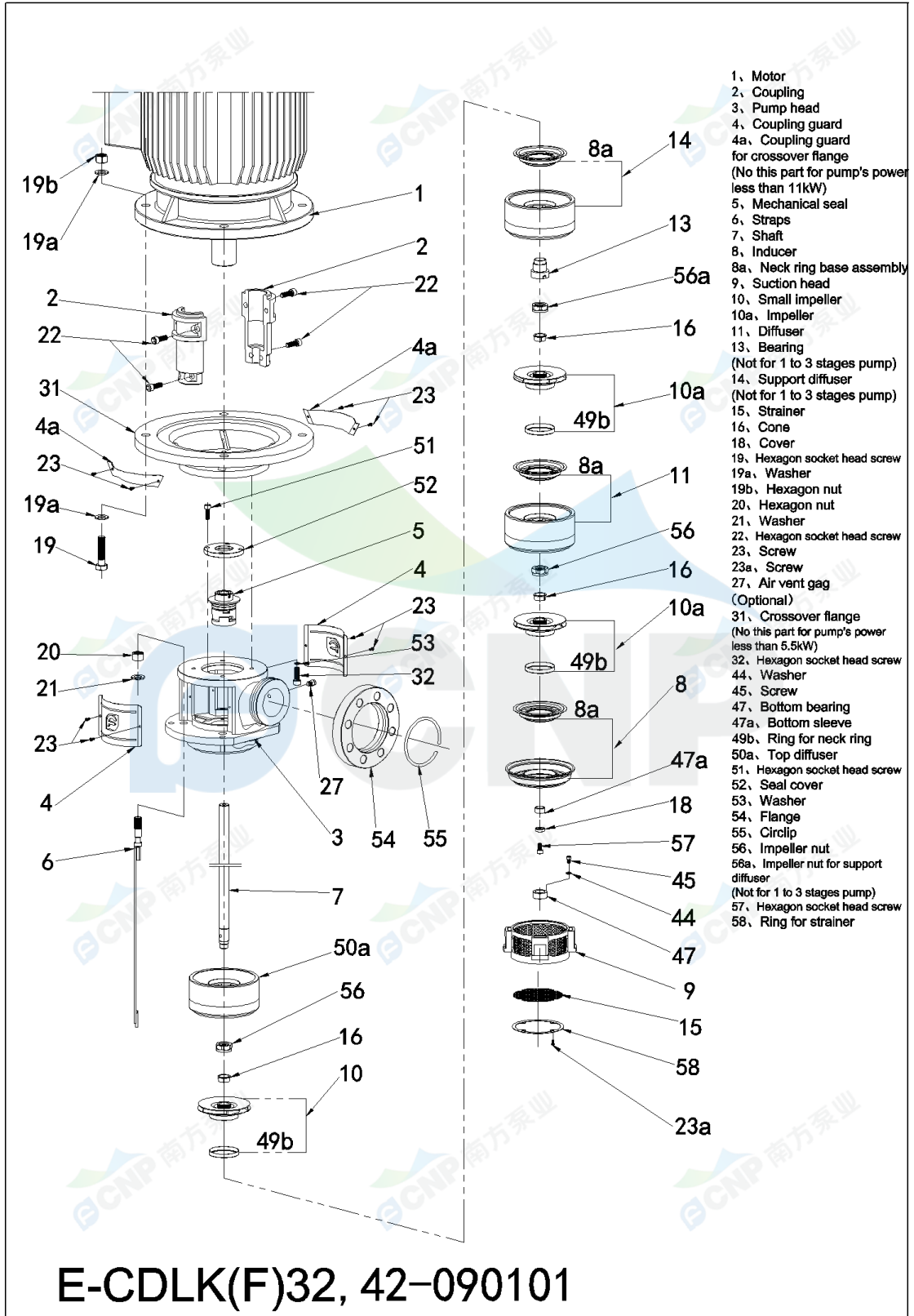
|                                |               |
|--------------------------------|---------------|
| Pump model                     | CDLK32-80/8-2 |
| Part NO.                       | 1100057133    |
| Rated flow (m <sup>3</sup> /h) | 32            |
| Rated head (m)                 | 102           |
| Rated efficiency (%)           | 69            |
| Power (kW)                     | 12.89         |
| NPSHr (m)                      | 3             |
| Speed (rpm)                    | 2900          |
| Max impeller diameter (mm)     | 118.2         |

### Medium

|                                     |             |
|-------------------------------------|-------------|
| Pumped medium                       | Clean Water |
| Working temperature (°C)            | 20          |
| Medium density (kg/m <sup>3</sup> ) | 1000        |
| Viscosity (mm <sup>2</sup> /s)      | 1           |



|  |  |              |                                      |
|--|--|--------------|--------------------------------------|
|  | <b>Structure picture</b><br><b>CDLK32-80/8-2</b> | Manufacturer | CNP                                  |
|  |  | Address      | Yuhang District, Hangzhou, Zhejiang, |
|  |  | Contact      | 86-571-88637351                      |
|  |  | Date         | 2022/07/17                           |
|  |  | Client Name  | DPA                                  |
| Project Name   |  | Client Addr. |                                      |
| Item NO  |  | Contacts     | Alireza                              |
|  |  | Contact      |                                      |





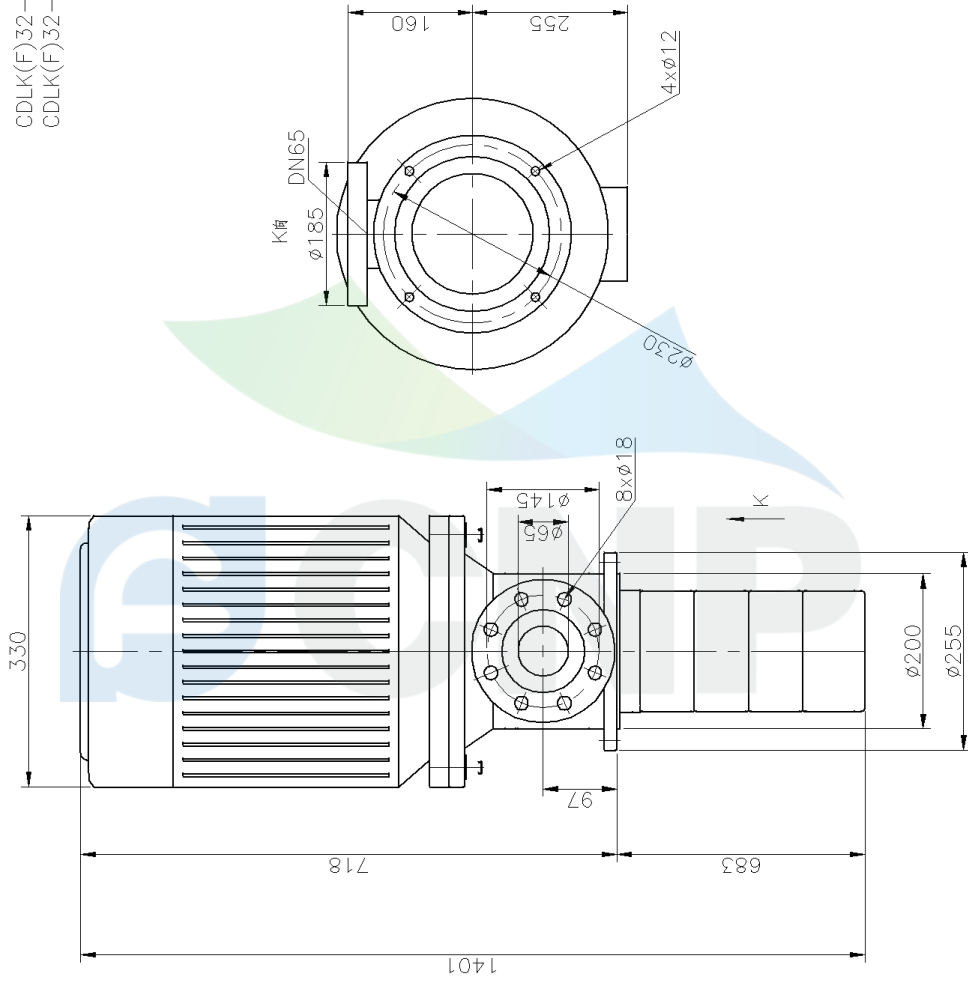
## Dimension Drawing CDLK32-80/8-2

|              |                                      |
|--------------|--------------------------------------|
| Manufacturer | CNP                                  |
| Address      | Yuhang District, Hangzhou, Zhejiang, |
| Contact      | 86-571-88637351                      |
| Date         | 2022/07/17                           |
| Client Name  | DPA                                  |
| Client Addr. |                                      |
| Contacts     | Alireza                              |
| Contact      |                                      |

Project Name

Item NO

CDLK(F)32-80/8-2 50Hz  
 CDLK(F)32-80/8 50Hz



|       |  |
|-------|--|
| 描图    |  |
| 描校    |  |
| 旧底图总号 |  |
| 底图总号  |  |
| 签字    |  |
| 日期    |  |