	Product Information 80WQ80-43-22H(I)	Manufacturer	CNP
		Address	Yuhang District, Hangzhou, Zhejiang,
Project Name		Contact	86-571-88637351
		Date	2022/03/09
Item NO		Client Name	DPA
		Client Addr.	
		Contacts	Alireza
		Contact	

Part NO.	80WQ80-43-22H
----------	---------------

Product Picture	Note
	<p>The sewage submersible pump is composed of two parts: the motor and the pump.</p> <p>The two are separated by an oil chamber and a mechanical seal assembly.</p> <p>Divided into fixed automatic coupling installation and mobile installation</p>

technology	
Pump rotator speed	1460
Nameplate standards	CE
Material	
Impeller	HT200
Pump shaft	20cr13
Rubber code	P
Pump case	HT200
Installation	
Connection Code	F
Maximum Pressure/Temperatur	6bar/40
Flange Standard	DIN
Pressure Class	PN6
Medium	
Medium Temperature	40
Maximum diameter of partic	45
Maximum Environment Temper	40
Structure dimension	
Standard caliber	DN
Outlet Diameter	DN80
Motor	
Number of Motor Phase	Three Phase
Protection Class	IP68
Insulation Class	F
Motor Power	22
Power Frequency	50HZ
Rated Voltage (V)	380V
Rated Current (A)	43.1
Starting mode	direct boot
Seal	
Mechanical Seal	H-60
Others	
Weight (kg)	350

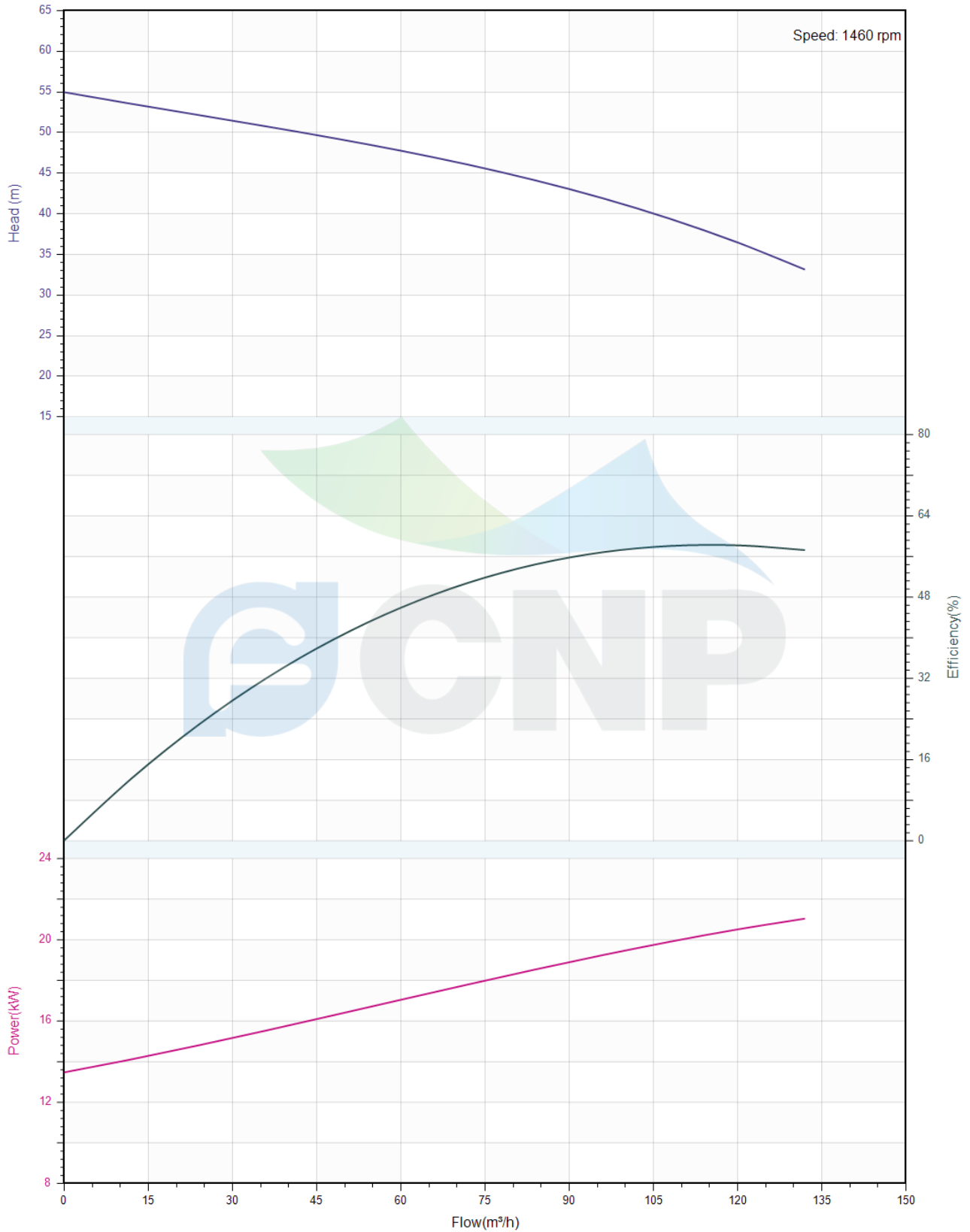


Performance Curve 80WQ80-43-22H(I)

Manufacturer	CNP
Address	Yuhang District, Hangzhou, Zhejiang,
Contact	86-571-88637351
Date	2022/03/09
Client Name	DPA
Client Addr.	
Contacts	Alireza
Contact	

Project Name	
Item NO	

The hydraulic performance curve have been tested with Clean Water at 20°C, density 1000kg/m³, and at 1bar atmospheric pressure. ISO99062012 Grade 3B





Pump Technical Parameters 80WQ80-43-22H(I)

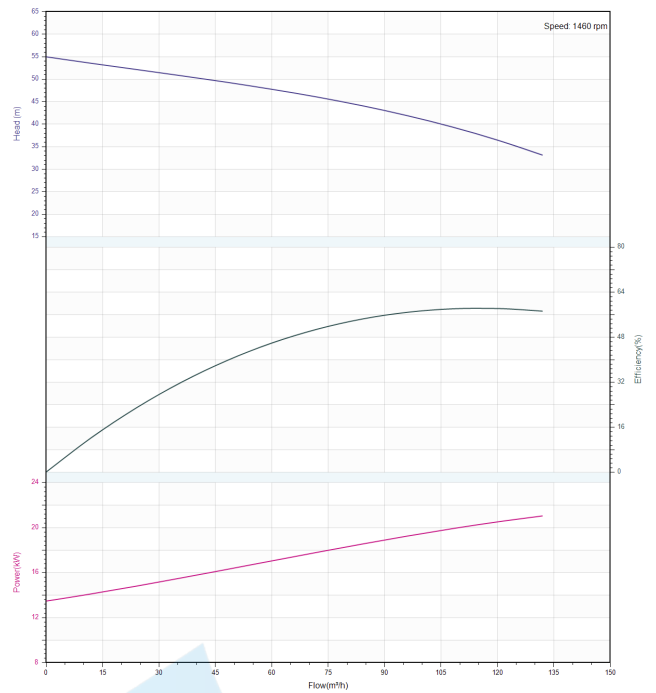
Manufacturer	CNP
Address	Yuhang District, Hangzhou, Zhejiang,
Contact	86-571-88637351
Date	2022/03/09
Client Name	DPA
Client Addr.	
Contacts	Alireza
Contact	


Rated parameters


Pump model	80WQ80-43-22H(I)
Part NO.	80WQ80-43-22H
Rated flow (m ³ /h)	80
Rated head (m)	43
Rated efficiency (%)	54.5
Power (kW)	17.2
NPSHr (m)	2
Speed (rpm)	1460

Medium

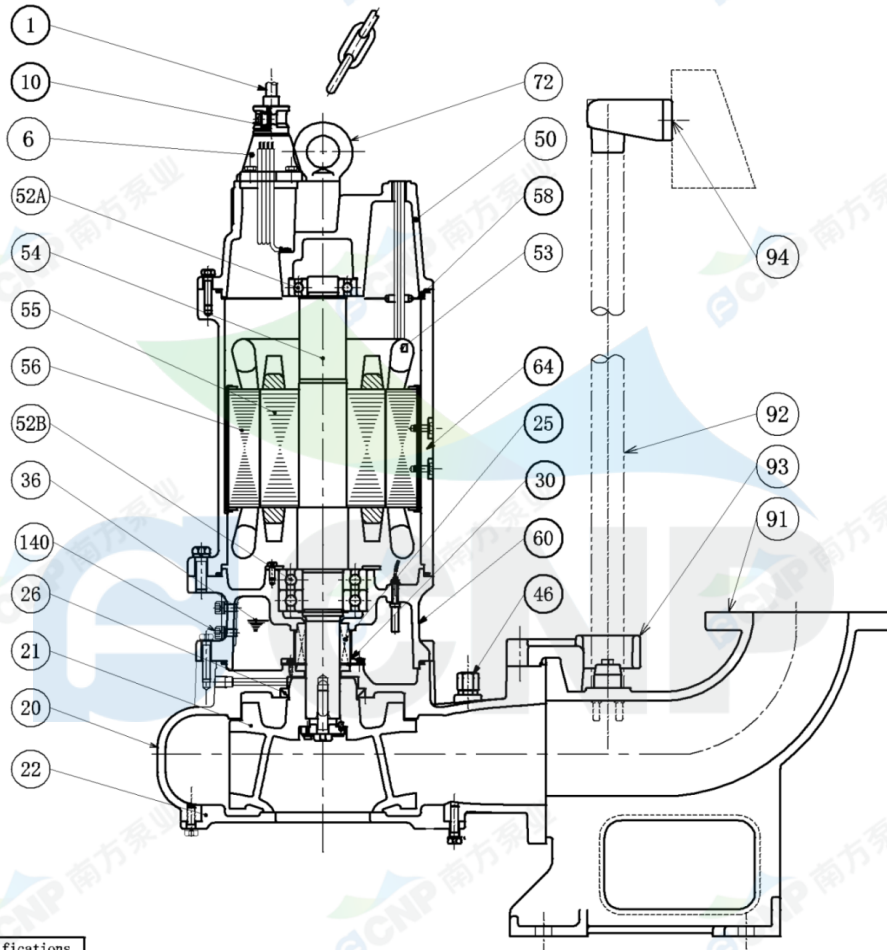
Pumped medium	Clean Water
Working temperature (°C)	20
Medium density (kg/m ³)	1000
Viscosity (mm ² /s)	1



	Structure picture 80WQ80-43-22H(I)	Manufacturer	CNP
		Address	Yuhang District, Hangzhou, Zhejiang,
Project Name		Contact	86-571-88637351
		Date	2022/03/09
Item NO		Client Name	DPA
		Client Addr.	
		Contacts	Alireza
		Contact	

 **CNP Nanfang Zhongjin Environment Co., Ltd.**

	SECTIONAL DRAWING	No.	No.
TYPE	submersible sewage pump	MODEL	18.5/22KW




order specifications

No.	names of parts	number	material	No.	names of parts	number	material
1	cable	1	YZW	20	casing	1	HT200
6	cable sleeve	1	HT200	21	impeller	1	HT200
50	top cover	1	HT200	26	framework oil seal	1	NBRI-2
58	cable transit board	1	Q235	140	oil filler plug	2	SUS304
64	base	1	HT200	36	machine oil 32#		
25	mechanical seal	1	Carbon/SiC	52B	lower bearing	2	
60	lower cover	1	HT200	56	stator	1	
30	oil lift	1		55	rotor	1	
46	Air release bolt	1		54	shaft	1	
94	guiding	1	HT200	53	Mini-thermalprotector	1	
92	pipe	1	SUS304(unaffiliated)	52A	upper bearing	1	
93	guide hook	1	HT200	72	eye bolt	2	45#(forging galvanized)
91	water outlet base	1	HT200	95	lift chain	1	SUS304
22	water inlet cover	1	HT200	10	电缆线锁紧块	2	HT200

Nanfang Zhongjin Environment CO.,LTD.

unit: mm

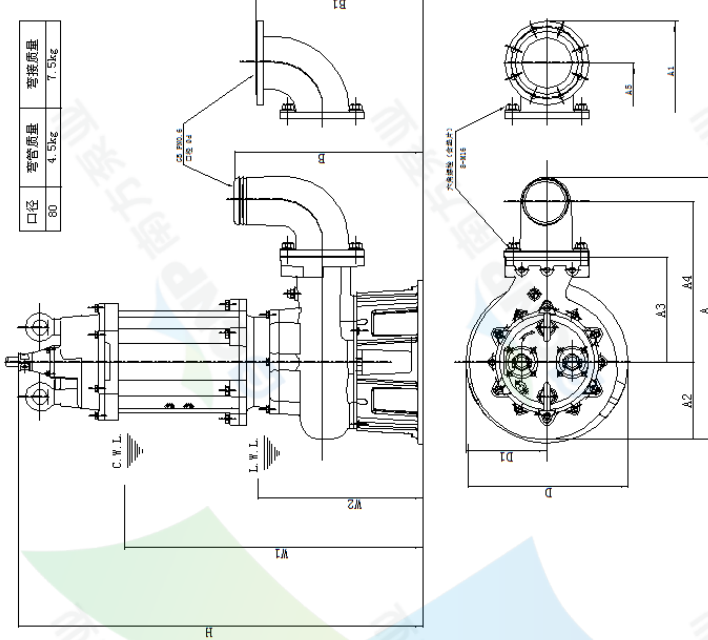
	Installation picture 80WQ80-43-22H(I)	Manufacturer	CNP
		Address	Yuhang District, Hangzhou, Zhejiang,
		Contact	86-571-88637351
		Date	2022/03/09
Project Name		Client Name	DPA
Item NO		Client Addr.	
		Contacts	Alireza
		Contact	

CNP 中金环境

外形尺寸	DIMENSION DRAWING	No.	No.
污水污物潜水泵	污水污物潜水泵	100WQ80-43-22H	
TYPE 名称	MODEL 型号		

型号	E	A	A1	A2	A3	A4	A5	B	B1	D	D1	H	H1	其它重量	
80WQ80-43-22H	80	119.8	781	270	316	408.5	686	374	554	540	270	1040	315	1222	385kg

口径	泵体重量	总重量
80	4.5kg	7.5kg



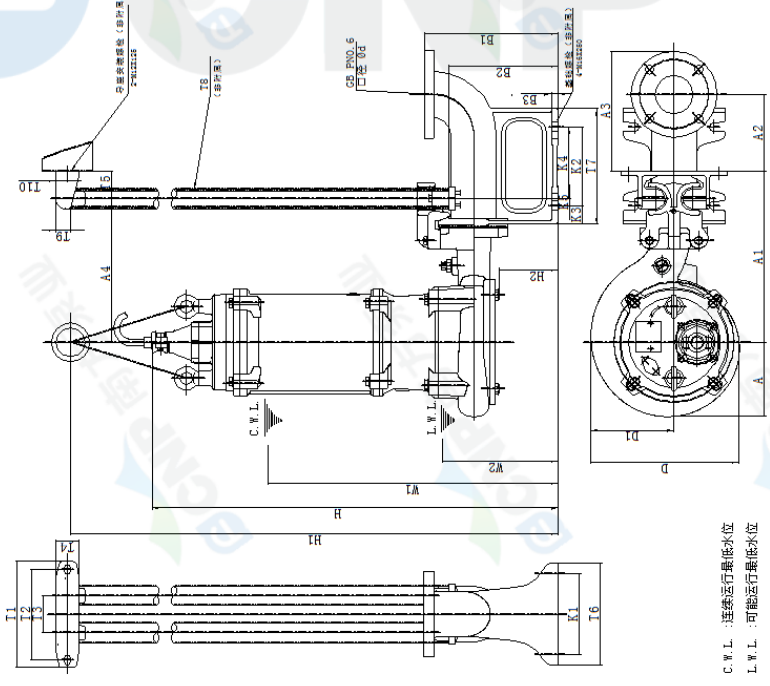
C.W.L. : 连续运行最低水位
L.W.L. : 可能运行最低水位

南方中金环境股份有限公司 Nanfang Zhongjin Environment CO.,LTD. unit: mm

CNP 中金环境

安装外形尺寸	DIMENSION DRAWING	No.	No.
污水污物潜水泵	污水污物潜水泵	100WQ80-43-22H	
TYPE 名称	MODEL 型号		

型号	A	A1	A2	A3	A4	D	B1	H1	H2	其它重量			
80WQ80-43-22H	270	456	165	260	376	540	270	1004	279	1186	104	385kg	
电机口径	d	T1	T2	T3	T4	T5	T6	T7	T8	T9	T10	重量(总重量)	
80WQ80-43-22H	80	230	198	80	80	220	290	287	287	287	287	287	33kg



C.W.L. : 连续运行最低水位
L.W.L. : 可能运行最低水位

南方中金环境股份有限公司 Nanfang Zhongjin Environment CO.,LTD. unit: mm