
	Product Information 80WQ60-40-18.5H(I)	Manufacturer	CNP
		Address	Yuhang District, Hangzhou, Zhejiang,
Project Name		Contact	86-571-88637351
		Date	2022/03/09
		Client Name	DPA
Item NO		Client Addr.	
		Contacts	Alireza
		Contact	

Part NO.	80WQ60-40-18.5H
Product Picture	Note
	<p>The sewage submersible pump is composed of two parts: the motor and the pump.</p> <p>The two are separated by an oil chamber and a mechanical seal assembly.</p> <p>Divided into fixed automatic coupling installation and mobile installation</p>

technology

Pump rotator speed	1460
Nameplate standards	CE

Material

Impeller	HT200
Pump shaft	20cr13
Rubber code	P
Pump case	HT200

Installation

Connection Code	F
Maximum Pressure/Temperature	6bar/40
Flange Standard	DIN
Pressure Class	PN6

Medium

Medium Temperature	40
Maximum diameter of partic	45
Maximum Environment Temper	40

Structure dimension

Standard caliber	DN
Outlet Diameter	DN80

Motor

Number of Motor Phase	Three Phase
Protection Class	IP68
Insulation Class	F
Motor Power	18.5
Power Frequency	50HZ
Rated Voltage (V)	380V
Rated Current (A)	36.9
Starting mode	direct boot

Seal

Mechanical Seal	H-60
-----------------	------

Others

Weight (kg)	350
-------------	-----

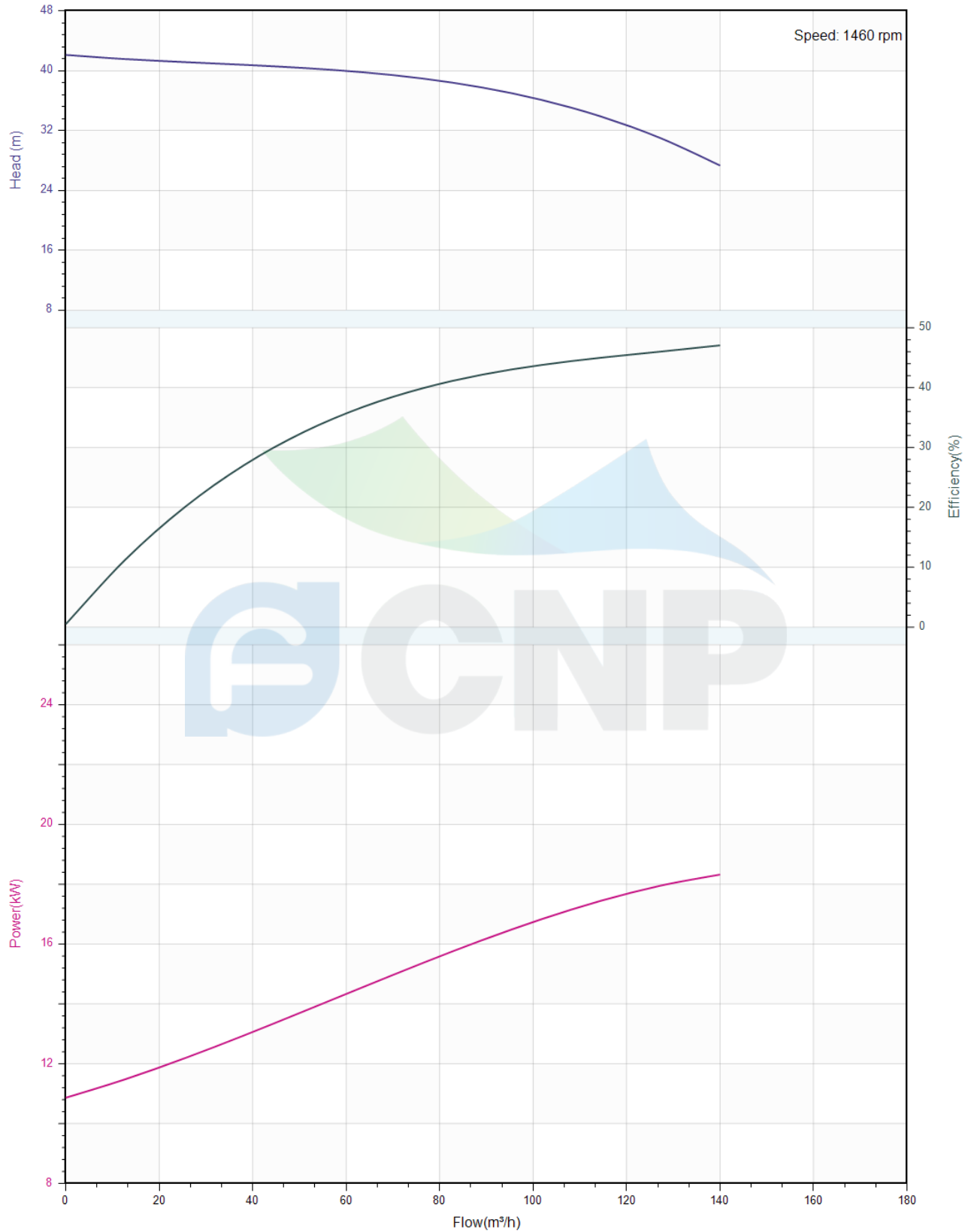



Performance Curve 80WQ60-40-18.5H(I)

Manufacturer	CNP
Address	Yuhang District, Hangzhou, Zhejiang,
Contact	86-571-88637351
Date	2022/03/09
Client Name	DPA
Client Addr.	
Contacts	Alireza
Contact	

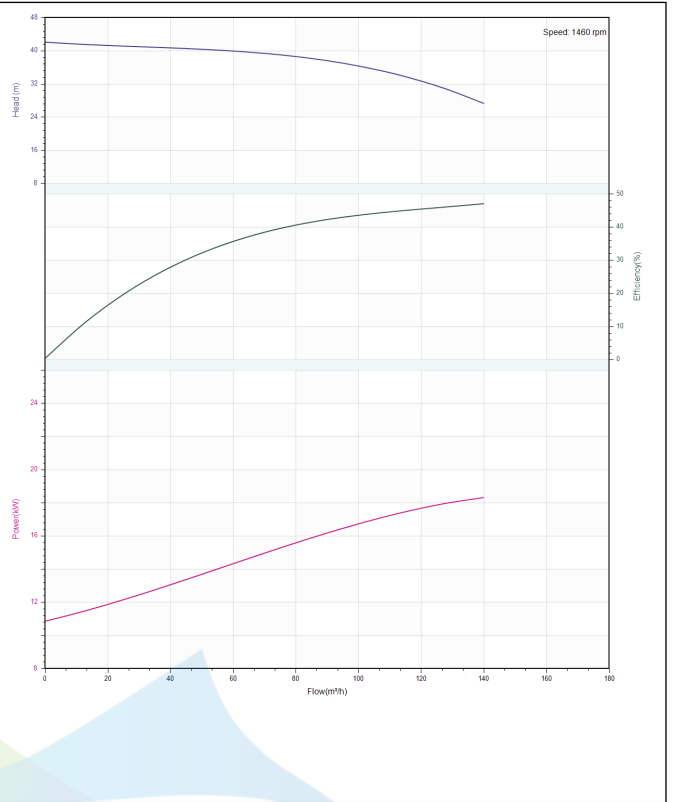
Project Name	
Item NO	


The hydraulic performance curve have been tested with Clean Water at 20°C, density 1000kg/m³, and at 1bar atmospheric pressure. ISO99062012 Grade 3B



	Pump Technical Parameters 80WQ60-40-18.5H(I)	Manufacturer	CNP
		Address	Yuhang District, Hangzhou, Zhejiang,
Project Name		Contact	86-571-88637351
		Date	2022/03/09
Item NO		Client Name	DPA
		Client Addr.	
		Contacts	Alireza
		Contact	

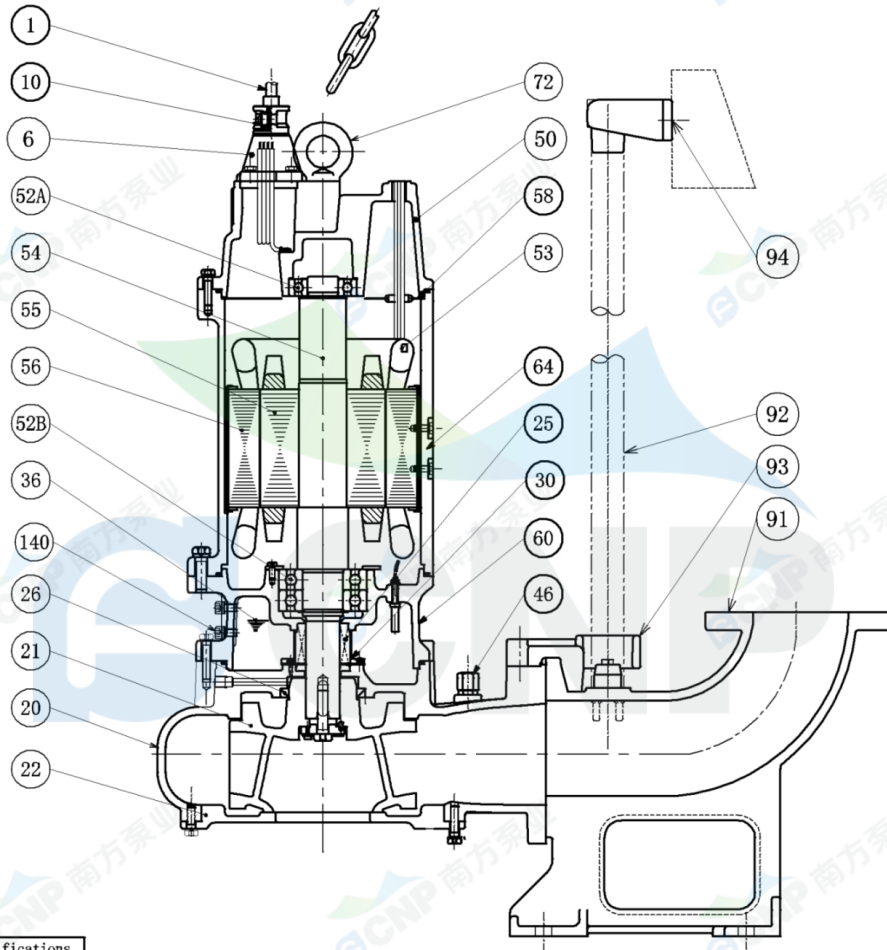
Rated parameters	
Pump model	80WQ60-40-18.5H(I)
Part NO.	80WQ60-40-18.5H
Rated flow (m ³ /h)	60
Rated head (m)	40
Rated efficiency (%)	61.5
Power (kW)	18.3
NPSHr (m)	2
Speed (rpm)	1460
Medium	
Pumped medium	Clean Water
Working temperature (°C)	20
Medium density (kg/m ³)	1000
Viscosity (mm ² /s)	1



	Structure picture 80WQ60-40-18.5H(I)	Manufacturer	CNP
		Address	Yuhang District, Hangzhou, Zhejiang,
Project Name		Contact	86-571-88637351
		Date	2022/03/09
Item NO		Client Name	DPA
		Client Addr.	
		Contacts	Alireza
		Contact	

CNP Nanfang Zhongjin Environment Co., Ltd.

	SECTIONAL DRAWING	No.	No.
TYPE	submersible sewage pump	MODEL	18.5/22KW



order specifications			

No.	names of parts	number	material	No.	names of parts	number	material
1	cable	1	YZW	20	casing	1	HT200
6	cable sleeve	1	HT200	21	impeller	1	HT200
50	top cover	1	HT200	26	framework oil seal	1	NBRI-2
58	cable transit board	1	Q235	140	oil filler plug	2	SUS304
64	base	1	HT200	36	machine oil 32#		
25	mechanical seal	1	Carbon/SiC	52B	lower bearing	2	
60	lower cover	1	HT200	56	stator	1	
30	oil lift	1		55	rotor	1	
46	Air release bolt	1		54	shaft	1	
94	guiding	1	HT200	53	Mini-thermalprotector	1	
92	pipe	1	SUS304(unaffiliated)	52A	upper bearing	1	
93	guide hook	1	HT200	72	eye bolt	2	45#(forging galvanized)
91	water outlet base	1	HT200	95	lift chain	1	SUS304
22	water inlet cover	1	HT200	10	电缆线锁紧块	2	HT200

Nanfang Zhongjin Environment CO.,LTD.

unit: mm



Installation picture 80WQ60-40-18.5H(I)

Manufacturer	CNP
Address	Yuhang District, Hangzhou, Zhejiang,
Contact	86-571-88637351
Date	2022/03/09
Client Name	DPA
Client Addr.	
Contacts	Alireza
Contact	

Project Name

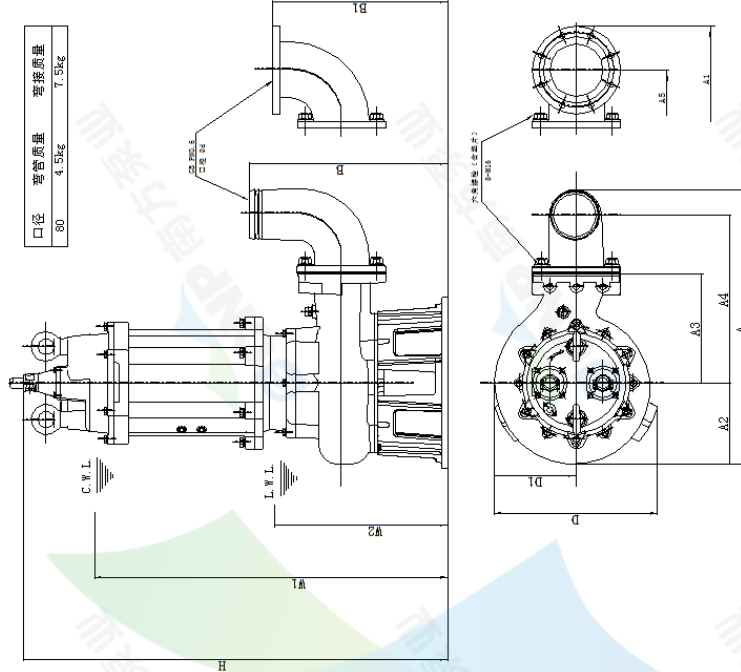
Item NO

CNP 中金环境

TYPE 名称	DIMENSION DRAWING 污水污物潜水泵	No. 型号	80WQ60-40-18.5H
------------	------------------------------	-----------	-----------------

型号	A	A1	A2	A3	A4	A5	B	B1	D	D1	H	H1	H2	总重量
80WQ60-40-18.5H	80	74	787	270	320	428	702	380	540	270	1040	315	1222	350kg

口径	重量	安装质量
80	4.5kg	7.5kg



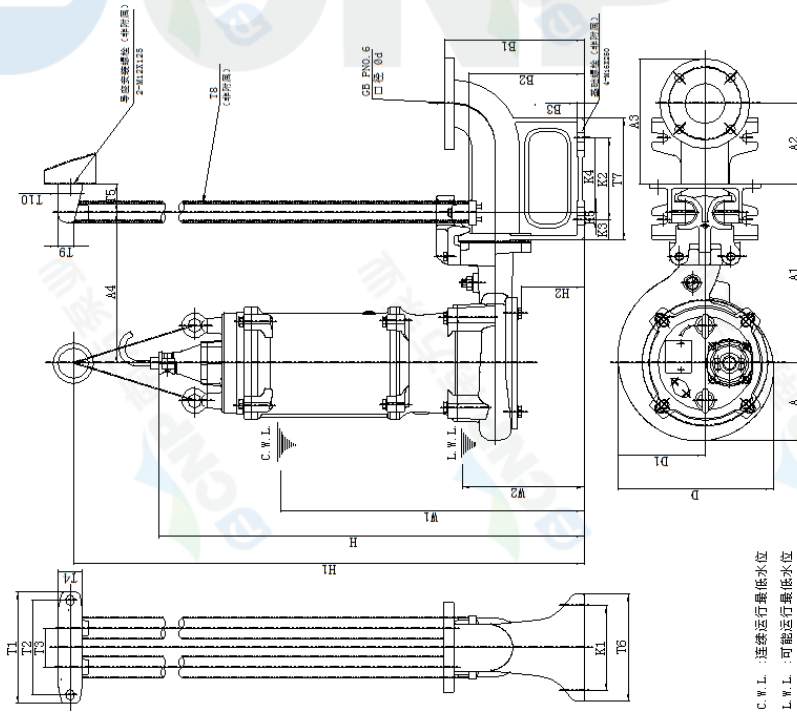
C.W.L. : 连续运行最低水位
L.W.L. : 可能运行最低水位

南方中金环境股份有限公司 Nanfang Zhongjin Environment CO., LTD. unit: mm

CNP 中金环境

TYPE 名称	DIMENSION DRAWING 污水污物潜水泵	No. 型号	80WQ60-40-18.5H
------------	------------------------------	-----------	-----------------

型号	A	A1	A2	A3	A4	B	B1	D	D1	H	H1	H2	总重量
80WQ60-40-18.5H	160	150	155	260	310	540	270	1040	315	1222	1630	18	350kg



C.W.L. : 连续运行最低水位
L.W.L. : 可能运行最低水位

南方中金环境股份有限公司 Nanfang Zhongjin Environment CO., LTD. unit: mm