	Product Information 80WQ60-28-11H(I)	Manufacturer	CNP
		Address	Yuhang District, Hangzhou, Zhejiang,
Project Name		Contact	86-571-88637351
		Date	2022/03/09
Item NO		Client Name	DPA
		Client Addr.	
		Contacts	Alireza
		Contact	

Part NO.	80WQ60-28-11H
----------	---------------

Product Picture	Note
	<p>The sewage submersible pump is composed of two parts: the motor and the pump.</p> <p>The two are separated by an oil chamber and a mechanical seal assembly.</p> <p>Divided into fixed automatic coupling installation and mobile installation</p>

technology	
Pump rotator speed	1440
Nameplate standards	CE
Material	
Impeller	HT200
Pump shaft	20cr13
Rubber code	P
Pump case	HT200
Installation	
Connection Code	F
Maximum Pressure/Temperatur	6bar/40
Flange Standard	DIN
Pressure Class	PN6
Medium	
Medium Temperature	40
Maximum diameter of partic	45
Maximum Environment Temper	40
Structure dimension	
Standard caliber	DN
Outlet Diameter	DN80
Motor	
Number of Motor Phase	Three Phase
Protection Class	IP68
Insulation Class	F
Motor Power	11
Power Frequency	50HZ
Rated Voltage (V)	380V
Rated Current (A)	22.9
Starting mode	direct boot
Seal	
Mechanical Seal	H-50
Others	
Weight (kg)	265



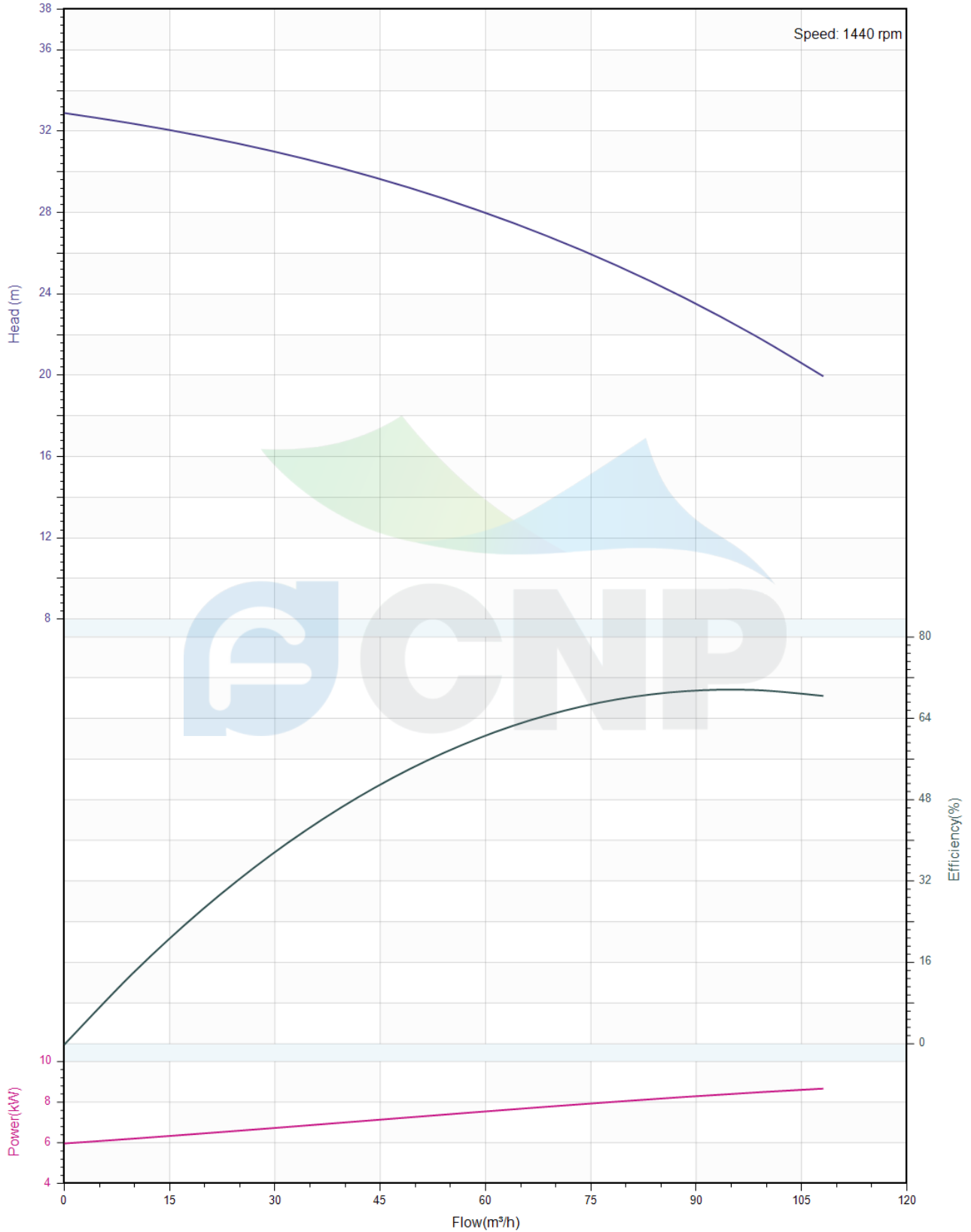
Performance Curve 80WQ60-28-11H(I)

Manufacturer	CNP
Address	Yuhang District, Hangzhou, Zhejiang,
Contact	86-571-88637351
Date	2022/03/09
Client Name	DPA
Client Addr.	
Contacts	Alireza
Contact	

Project Name

Item NO

The hydraulic performance curve have been tested with Clean Water at 20°C, density 1000kg/m³, and at 1bar atmospheric pressure. ISO99062012 Grade 3B





Pump Technical Parameters 80WQ60-28-11H(I)

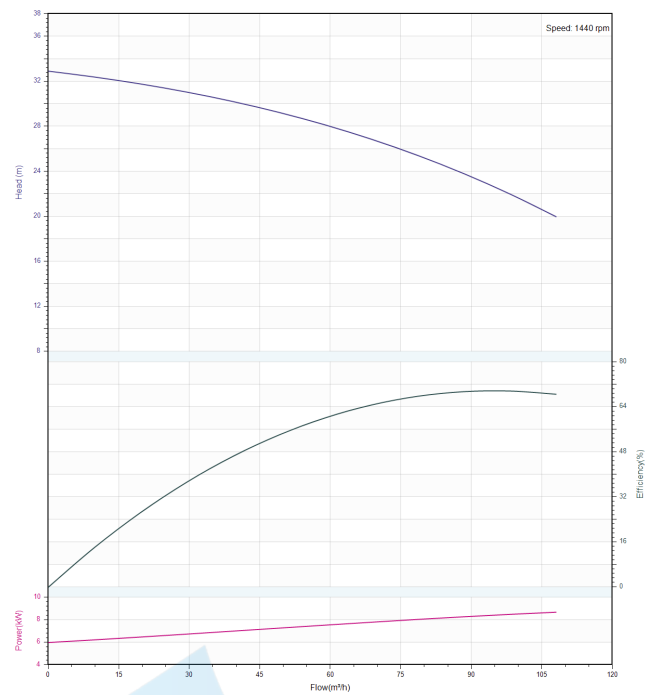
Manufacturer	CNP
Address	Yuhang District, Hangzhou, Zhejiang,
Contact	86-571-88637351
Date	2022/03/09
Client Name	DPA
Client Addr.	
Contacts	Alireza
Contact	


Rated parameters

Pump model	80WQ60-28-11H(I)
Part NO.	80WQ60-28-11H
Rated flow (m ³ /h)	60
Rated head (m)	28
Rated efficiency (%)	54.5
Power (kW)	8.4
NPSHr (m)	2
Speed (rpm)	1440

Medium

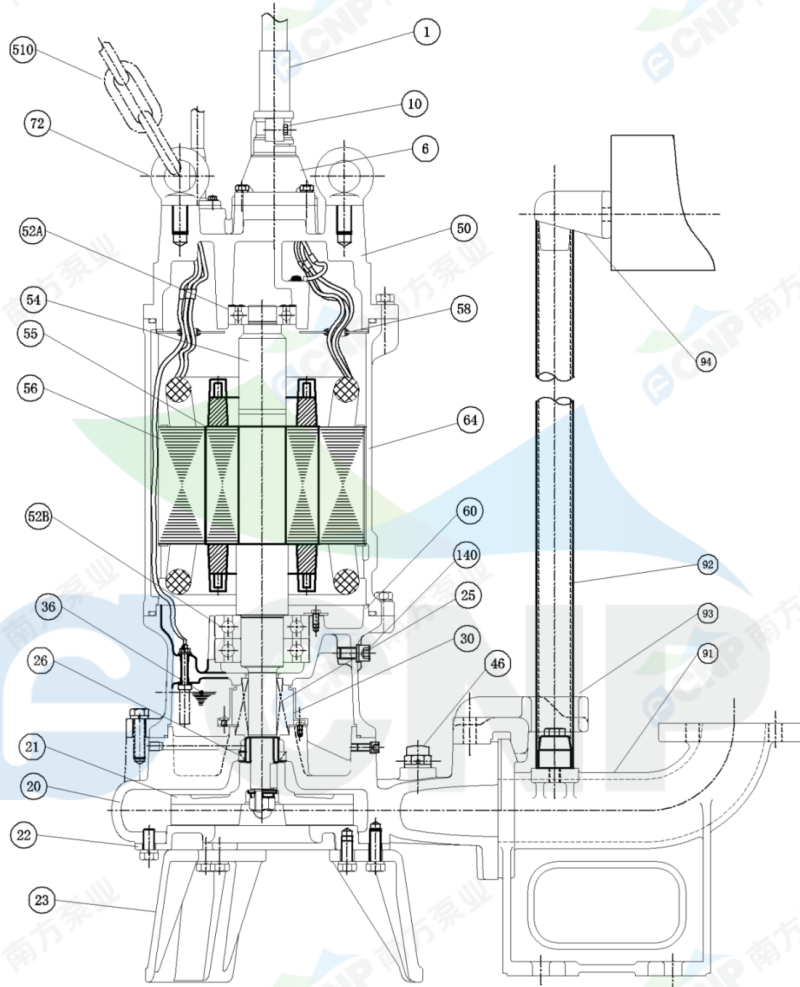
Pumped medium	Clean Water
Working temperature (°C)	20
Medium density (kg/m ³)	1000
Viscosity (mm ² /s)	1



	Structure picture 80WQ60-28-11H(I)	Manufacturer	CNP
		Address	Yuhang District, Hangzhou, Zhejiang,
Project Name		Contact	86-571-88637351
		Date	2022/03/09
Item NO		Client Name	DPA
		Client Addr.	
		Contacts	Alireza
		Contact	

CNP Nanfang Zhongjin Environment Co., Ltd.

	SECTIONAL DRAWING	No.	No.
TYPE	submersible sewage pump	MODEL	WQ-11/15kW



order specifications	

No.	names of parts	number	material	No.	names of parts	number	material
1	cable	1	YZW	20	casing	1	HT200
6	cable sleeve	1	HT200	21	impeller	1	HT200
50	top cover	1	HT200	26	framework oil seal	1	NBR-2
58	cable transit board	1	Q235	140	oil filler plug	2	SUS304
64	base	1	HT200	36	machine oil 32#		
25	mechanical seal	1	Carbon/SIC	52B	lower bearing	2	
60	lower cover	1	HT200	56	stator	1	
30	oil lift	1		55	rotor	1	
46	Air release bolt	1		54	shaft	1	
94	guiding	1	HT200	52A	upper bearing	1	
92	pipe	1	SUS304(unaffiliated)	72	eye bolt	2	SUS304
93	guide hook	1	HT200	510	lift chain	1	45#(forging galvanized)
91	water outlet base	1	HT200	23	foot bracket	3	HT200
22	water inlet cover	1	HT200	10	Cable lockblock	2	HT200

Nanfang Zhongjin Environment CO.,LTD.

unit : mm



Installation picture 80WQ60-28-11H(I)

Manufacturer	CNP
Address	Yuhang District, Hangzhou, Zhejiang,
Contact	86-571-88637351
Date	2022/03/09
Client Name	DPA
Client Addr.	
Contacts	Alireza
Contact	

Project Name

Item NO



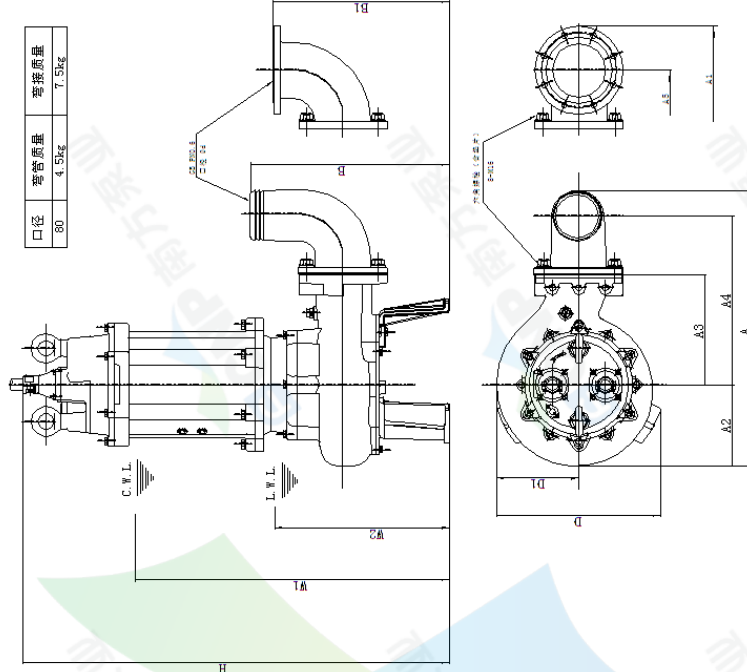
中金环境

安装外形尺寸 DIMENSION DRAWING		No.										
污水污物潜水泵		MODEL 型号	80WQ60-28-11H									

型号	A	A1	A2	A3	A4	D	D1	D2	H	H1	H2	总重量
80WQ411RH	231	440	367	260	380	486	231	513	313	1037	1487	7.8
80WQ411RH	2	15	13	14	15	17	19	110	81	82	83	270kg
80WQ411RH	80	120	180	240	300	360	420	480	540	600	660	55kg

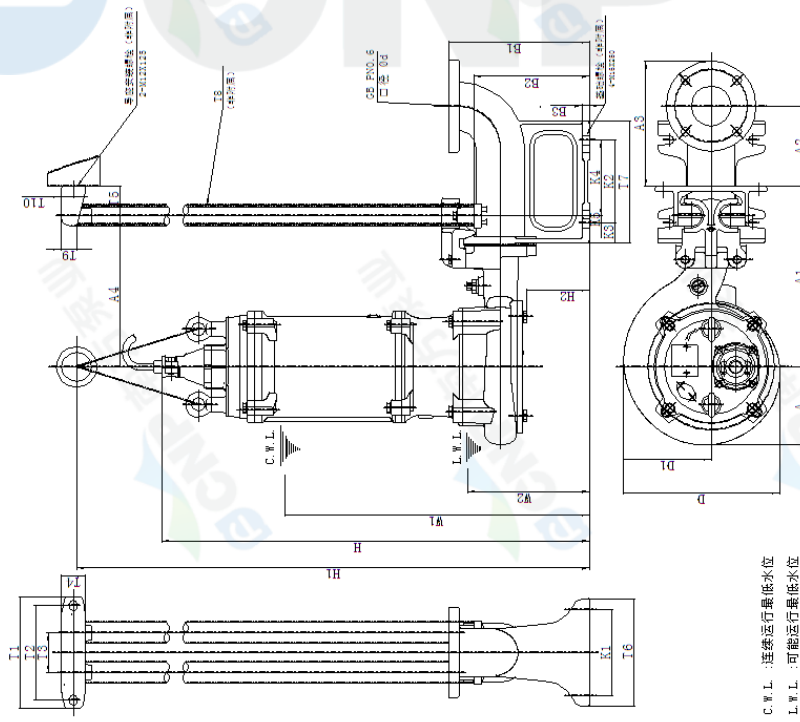
外形尺寸 DIMENSION DRAWING		No.										
污水污物潜水泵		MODEL 型号	80WQ60-28-11H									

型号	A	A1	A2	A3	A4	D	D1	D2	H	H1	H2	总重量	
80WQ411RH	80	662	756	231	317	429	661	350	354	486	231	513	1037
80WQ411RH	2	15	13	14	15	17	19	110	81	82	83	270kg	
80WQ411RH	80	120	180	240	300	360	420	480	540	600	660	55kg	



C.W.L. :连续运行最低水位
L.W.L. :可能运行最低水位

南方中金环境股份有限公司 Nanfang Zhongjin Environment CO.,LTD. unit: mm



C.W.L. :连续运行最低水位
L.W.L. :可能运行最低水位

南方中金环境股份有限公司 Nanfang Zhongjin Environment CO.,LTD. unit: mm