



|  |  |              |                                      |
|--|--|--------------|--------------------------------------|
|  | <b>Product Information</b><br><b>80WQ60-11-4/QG(I)</b> | Manufacturer | CNP                                  |
|  |  | Address      | Yuhang District, Hangzhou, Zhejiang, |
|  |  | Contact      | 86-571-88637351                      |
|  |  | Date         | 2022/03/09                           |
| <b>Project Name</b>  |  | Client Name  | DPA                                  |
|  |  | Client Addr. |                                      |
| <b>Item NO</b>   |  | Contacts     | Alireza                              |
|  |  | Contact      |                                      |

|          |                   |
|----------|-------------------|
| Part NO. | 80WQ60-11-4/QG(I) |
|----------|-------------------|

| Product Picture   | Note  |
|---|---|
|  | <p>The sewage submersible pump is composed of two parts: the motor and the pump.</p> <p>The two are separated by an oil chamber and a mechanical seal assembly.</p> <p>Divided into fixed automatic coupling installation and mobile installation</p> |

|                            |             |
|----------------------------|-------------|
| <b>technology</b>          |             |
| Pump rotator speed         | 1413        |
| Nameplate standards        | CE          |
| <b>Material</b>            |             |
| Impeller                   | HT200       |
| Pump shaft                 | 20cr13      |
| Rubber code                | P           |
| Pump case                  | HT200       |
| <b>Installation</b>        |             |
| Connection Code            | F           |
| Maximum Pressure/Temperatu | 6bar/40     |
| Flange Standard            | DIN         |
| Pressure Class             | PN6         |
| <b>Medium</b>              |             |
| Medium Temperature         | 40          |
| Maximum diameter of partic | 65          |
| Maximum Environment Temper | 40          |
| <b>Structure dimension</b> |             |
| Standard caliber           | DN          |
| Outlet Diameter            | DN80        |
| <b>Motor</b>               |             |
| Number of Motor Phase      | Three Phase |
| Protection Class           | IP68        |
| Insulation Class           | F           |
| Motor Power                | 4           |
| Power Frequency            | 50HZ        |
| Rated Voltage (V)          | 380V        |
| Rated Current (A)          | 8.4         |
| Starting mode              | direct boot |
| <b>Seal</b>                |             |
| Mechanical Seal            | H-35        |
| <b>Others</b>              |             |
| Weight (kg)                | 80          |

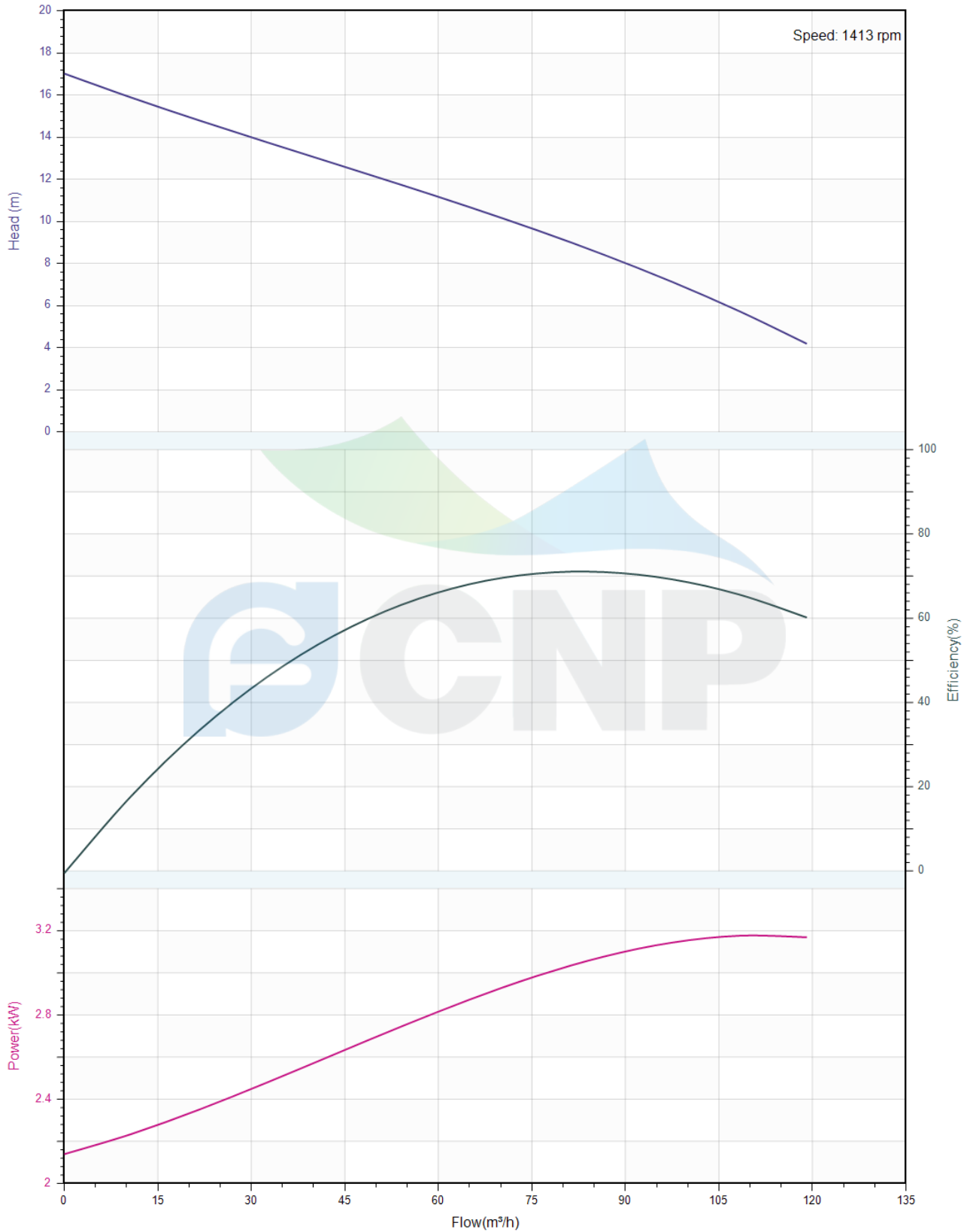


### Performance Curve 80WQ60-11-4/QG(I)

|              |                                      |
|--------------|--------------------------------------|
| Manufacturer | CNP                                  |
| Address      | Yuhang District, Hangzhou, Zhejiang, |
| Contact      | 86-571-88637351                      |
| Date         | 2022/03/09                           |
| Client Name  | DPA                                  |
| Client Addr. |                                      |
| Contacts     | Alireza                              |
| Contact      |                                      |

|              |  |
|--------------|--|
| Project Name |  |
| Item NO      |  |

The hydraulic performance curve have been tested with Clean Water at 20°C, density 1000kg/m<sup>3</sup>, and at 1bar atmospheric pressure. ISO99062012 Grade 3B





## Pump Technical Parameters 80WQ60-11-4/QG(I)

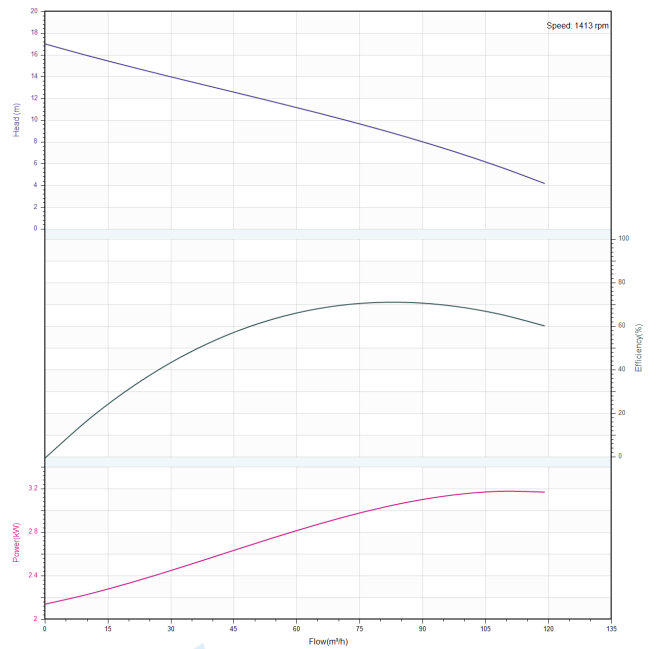
|              |                                      |
|--------------|--------------------------------------|
| Manufacturer | CNP                                  |
| Address      | Yuhang District, Hangzhou, Zhejiang, |
| Contact      | 86-571-88637351                      |
| Date         | 2022/03/09                           |
| Client Name  | DPA                                  |
| Client Addr. |                                      |
| Contacts     | Alireza                              |
| Contact      |                                      |


### Rated parameters

|                                |                   |
|--------------------------------|-------------------|
| Pump model                     | 80WQ60-11-4/QG(I) |
| Part NO.                       | 80WQ60-11-4/QG(I) |
| Rated flow (m <sup>3</sup> /h) | 60                |
| Rated head (m)                 | 11                |
| Rated efficiency (%)           | 61                |
| Power (kW)                     | 3.186             |
| Speed (rpm)                    | 1413              |

### Medium

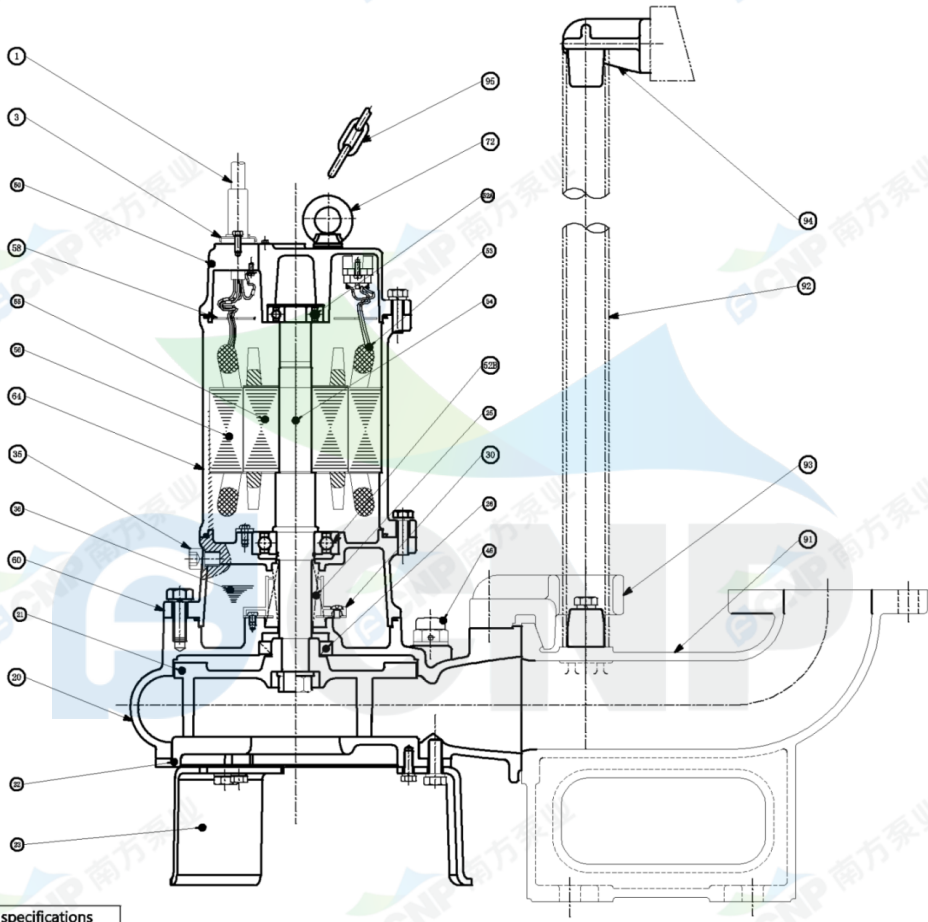
|                                     |             |
|-------------------------------------|-------------|
| Pumped medium                       | Clean Water |
| Working temperature (°C)            | 20          |
| Medium density (kg/m <sup>3</sup> ) | 1000        |
| Viscosity (mm <sup>2</sup> /s)      | 1           |



|  |  |              |                                      |
|--|--|--------------|--------------------------------------|
|  | <b>Structure picture</b><br><b>80WQ60-11-4/QG(I)</b> | Manufacturer | CNP                                  |
|  |  | Address      | Yuhang District, Hangzhou, Zhejiang, |
|  |  | Contact      | 86-571-88637351                      |
|  |  | Date         | 2022/03/09                           |
| Project Name   |  | Client Name  | DPA                                  |
| Item NO  |  | Client Addr. |                                      |
|  |  | Contacts     | Alireza                              |
|  |  | Contact      |                                      |

**CNP Nanfang Zhongjin Environment Co., Ltd.**

|      |                          |       |              |
|------|--------------------------|-------|--------------|
|      | <b>SECTIONAL DRAWING</b> | No.   | No.          |
| TYPE | submersible sewage pump  | MODEL | WQ-2.2/4.0kW |



order specifications

| No. | names of parts      | number | material             | No. | names of parts     | number | material                |
|-----|---------------------|--------|----------------------|-----|--------------------|--------|-------------------------|
| 1   | cable               | 1      | YZW                  | 91  | water outlet base  | 1      | HT200                   |
| 3   | cable cover         | 1      | HT200                | 46  | Air release bolt   | 1      |                         |
| 50  | top cover           | 1      | HT200                | 21  | impeller           | 1      | HT200                   |
| 58  | cable transit board | 1      | Q235                 | 26  | framework oil seal | 1      | NBRI-2                  |
| 64  | base                | 1      | HT200                | 36  | machine oil 32#    |        |                         |
| 25  | mechanical seal     | 1      | Carbon/SIC           | 52B | lower bearing      | 2      |                         |
| 30  | oil lift            | 1      |                      | 56  | stator             | 1      |                         |
| 140 | oil filler plug     | 2      | SUS304               | 55  | rotor              | 1      |                         |
| 60  | lower cover         | 1      | HT200                | 54  | shaft              | 1      |                         |
| 20  | casing              | 1      | HT200                | 53  | thermal protector  | 1      |                         |
| 22  | water inlet cover   | 1      | HT200                | 52A | upper bearing      | 1      |                         |
| 94  | guiding             | 1      | HT200                | 72  | eye bolt           | 2      | 45#(forging galvanized) |
| 92  | pipe                | 1      | SUS304(unaffiliated) | 95  | lift chain         | 1      | SUS304                  |
| 93  | guide hook          | 1      | HT200                |     |                    |        |                         |

Nanfang Zhongjin Environment CO.,LTD. unit : mm



## Installation picture

### 80WQ60-11-4/QG(I)

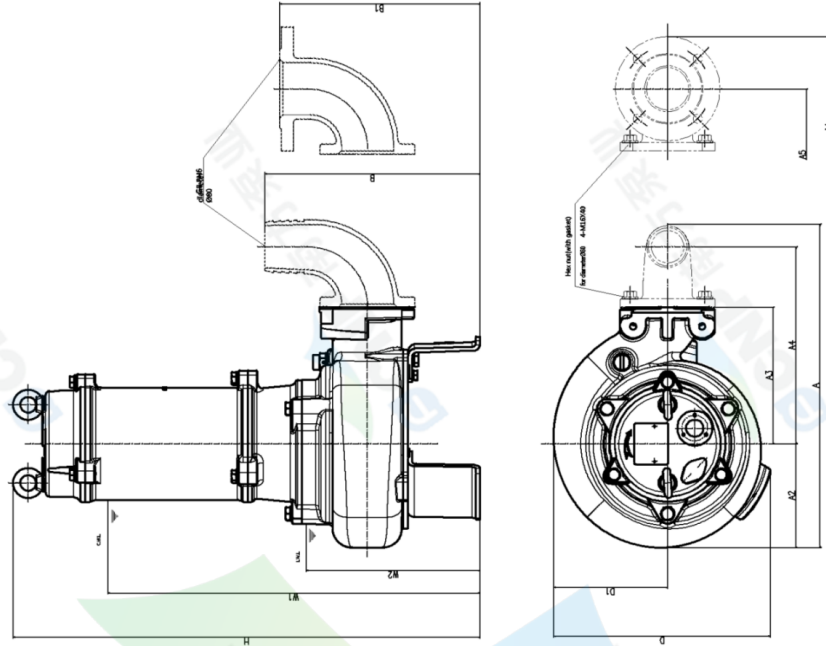
|              |                                      |
|--------------|--------------------------------------|
| Manufacturer | CNP                                  |
| Address      | Yuhang District, Hangzhou, Zhejiang, |
| Contact      | 86-571-88637351                      |
| Date         | 2022/03/09                           |
| Client Name  | DPA                                  |
| Client Addr. |                                      |
| Contacts     | Alireza                              |
| Contact      |                                      |

Project Name

Item NO

**CNP** Nanfang Zhongjin Environment Co., Ltd.

| DIMENSION DRAWING |  | No.                   | No.                |
|-------------------|--|-----------------------|--------------------|
| TYPE              | submersible sewage pump                                | MODEL                 | 80WQ60-11-4/QG(4P) |
| MODEL             | d A A1 A2 A3 A4 A5 B B1 D D1 W1 W2 H                   | Body weight           | 70kg               |
| WQ60-11-4QG(4P)   | 80 504 566 159 210 305 312 331 308 332 174 595 255 716 | coupling weight       | 70kg               |
| WQ60-11-4QG(4P)   | 80 504 566 159 210 305 312 331 308 332 174 595 255 716 | diameter elbow weight | 7.5kg              |
|                   |  | bend weight           | 7.5kg              |

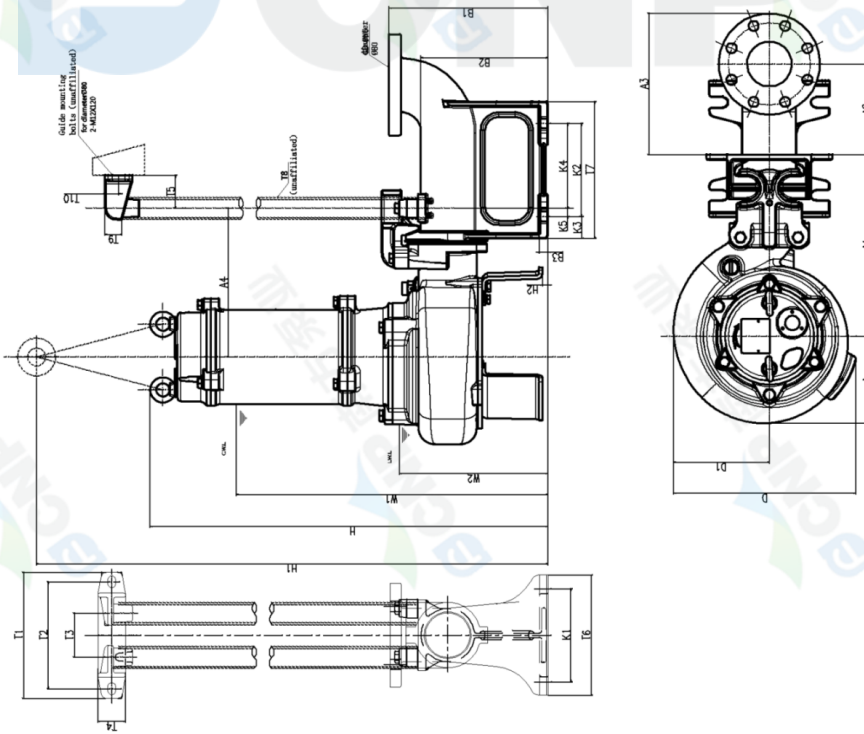


C.W.L. : minimum water level under continuous operation  
L.W.L. : minimum water level under possible operation

Nanfang Zhongjin Environment CO.,LTD. unit : mm

**CNP** Nanfang Zhongjin Environment Co., Ltd.

| DIMENSION DRAWING |   | No.             | No.                |
|-------------------|---|-----------------|--------------------|
| TYPE              | submersible sewage pump   | MODEL           | 80WQ60-11-4/QG(4P) |
| MODEL             | A A1 A2 A3 A4 A5 B B1 D D1 W1 W2 H H1 H2                                  | Body weight     | 70kg               |
| WQ60-11-4QG(4P)   | 159 330 360 165 260 270 332 174 570 270 726 1126 570                      | coupling weight | 70kg               |
| WQ60-11-4QG(4P)   | 80 230 195 80 50 60 230 290 127/48x4.5 31 25 370 170 40 155 15 290 237 15 | coupling weight | 33kg               |



C.W.L. : minimum water level under continuous operation  
L.W.L. : minimum water level under possible operation

Nanfang Zhongjin Environment CO.,LTD. unit : mm