
	<b>Product Information</b> <b>80WQ48-38-11(I)</b>	Manufacturer	CNP
		Address	Yuhang District, Hangzhou, Zhejiang,
Project Name		Contact	86-571-88637351
		Date	2022/03/09
Item NO		Client Name	DPA
		Client Addr.	
		Contacts	Alireza
		Contact	

Part NO.	80WQ48-38-11(I)
Product Picture	Note
	<p>The sewage submersible pump is composed of two parts: the motor and the pump.</p> <p>The two are separated by an oil chamber and a mechanical seal assembly.</p> <p>Divided into fixed automatic coupling installation and mobile installation</p>

<b>technology</b>	
Pump rotator speed	2930
Nameplate standards	CE
<b>Material</b>	
Impeller	HT200
Pump shaft	20cr13
Rubber code	P
Pump case	HT200
<b>Installation</b>	
Connection Code	F
Maximum Pressure/Temperatu	6bar/40
Flange Standard	DIN
Pressure Class	PN6
<b>Medium</b>	
Medium Temperature	40
Maximum diameter of partic	22
Maximum Environment Temper	40
<b>Structure dimension</b>	
Standard caliber	DN
Outlet Diameter	DN80
<b>Motor</b>	
Number of Motor Phase	Three Phase
Protection Class	IP68
Insulation Class	F
Motor Power	11
Power Frequency	50HZ
Rated Voltage (V)	380V
Rated Current (A)	21.7
Starting mode	direct boot
<b>Seal</b>	
Mechanical Seal	H-30
<b>Others</b>	
Weight (kg)	134.5

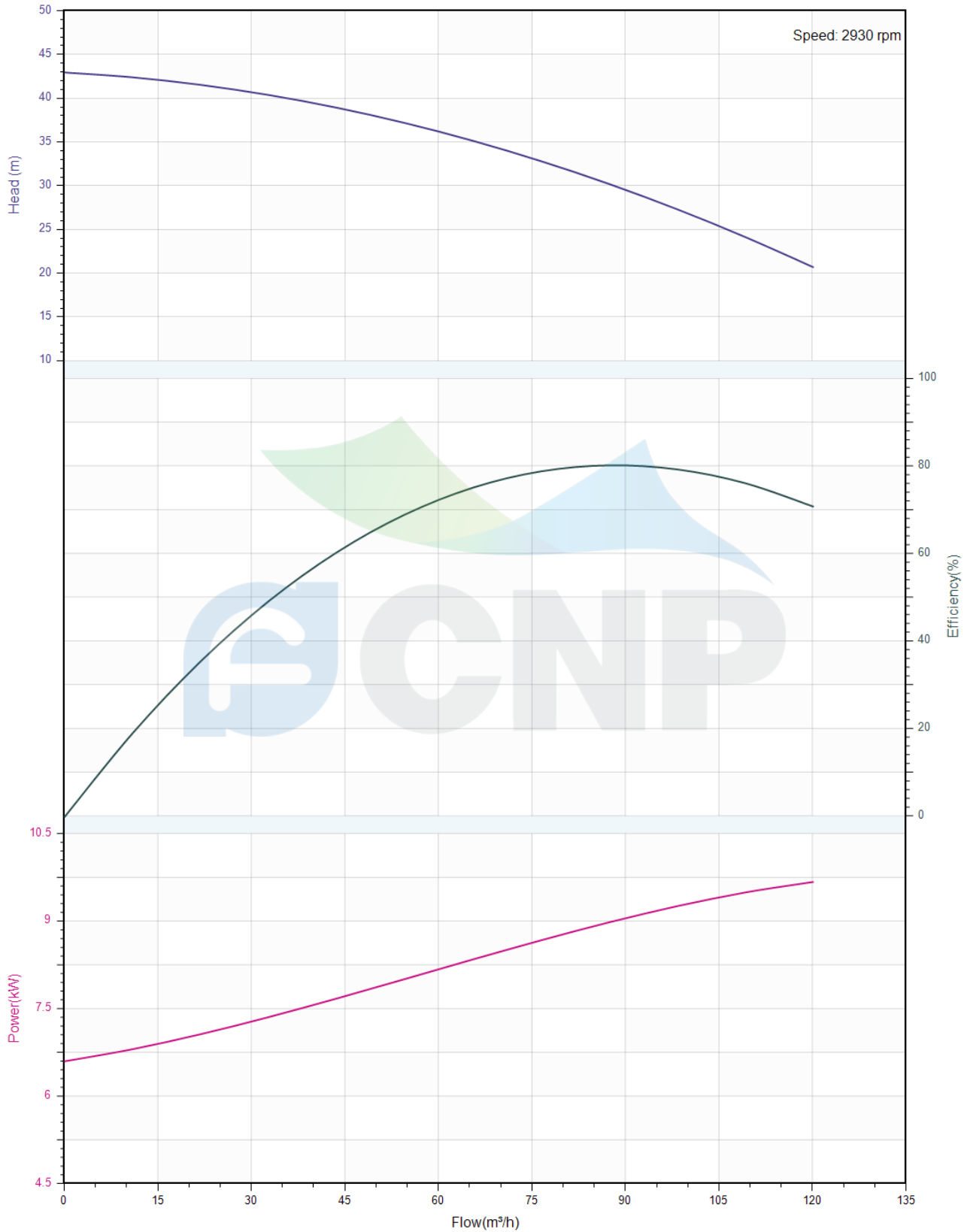


# Performance Curve 80WQ48-38-11(I)

Manufacturer	CNP
Address	Yuhang District, Hangzhou, Zhejiang,
Contact	86-571-88637351
Date	2022/03/09
Client Name	DPA
Client Addr.	
Contacts	Alireza
Contact	

Project Name	
Item NO	

The hydraulic performance curve have been tested with Clean Water at 20°C, density 1000kg/m<sup>3</sup>, and at 1bar atmospheric pressure. ISO99062012 Grade 3B





## Pump Technical Parameters 80WQ48-38-11(I)

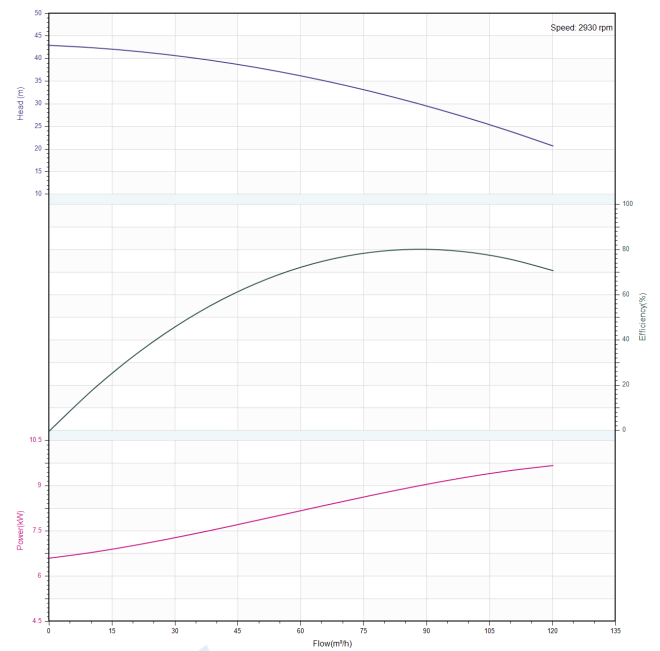
Manufacturer	CNP
Address	Yuhang District, Hangzhou, Zhejiang,
Contact	86-571-88637351
Date	2022/03/09
Client Name	DPA
Client Addr.	
Contacts	Alireza
Contact	


### Rated parameters

Pump model	80WQ48-38-11(I)
Part NO.	80WQ48-38-11(I)
Rated flow (m <sup>3</sup> /h)	48
Rated head (m)	38
Rated efficiency (%)	54.4
Power (kW)	8.818
Speed (rpm)	2930

### Medium

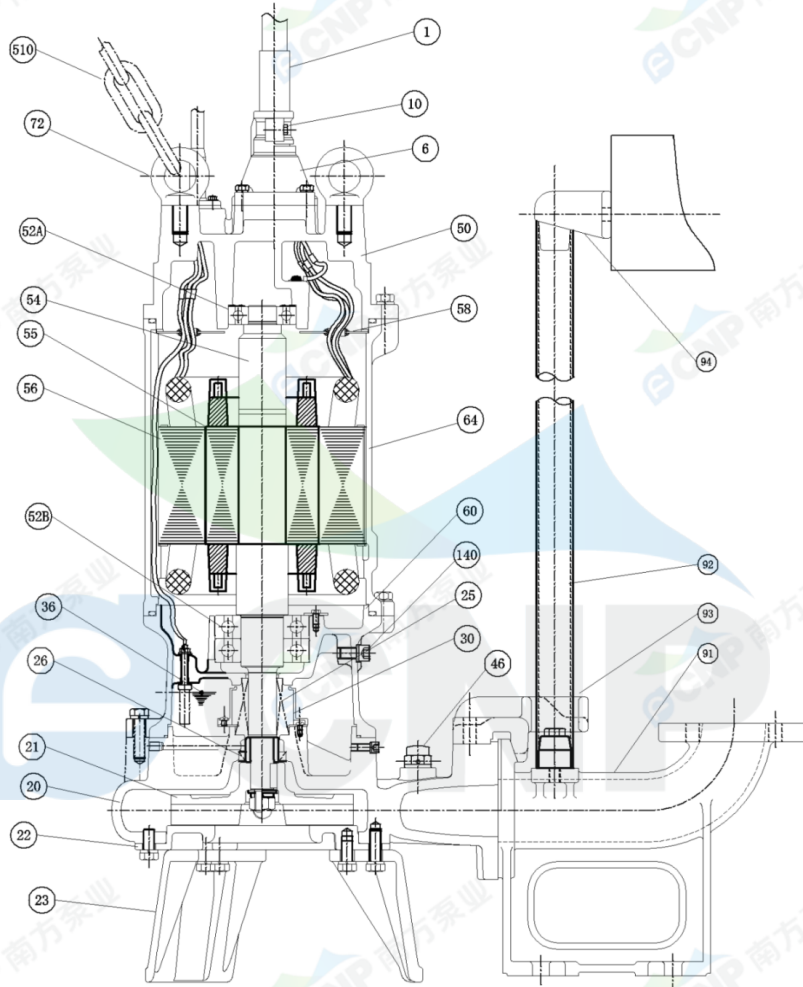
Pumped medium	Clean Water
Working temperature (°C)	20
Medium density (kg/m <sup>3</sup> )	1000
Viscosity (mm <sup>2</sup> /s)	1



	<b>Structure picture</b> <b>80WQ48-38-11(I)</b>	Manufacturer	CNP
		Address	Yuhang District, Hangzhou, Zhejiang,
Project Name		Contact	86-571-88637351
		Date	2022/03/09
Item NO		Client Name	DPA
		Client Addr.	
		Contacts	Alireza
		Contact	

## CNP Nanfang Zhongjin Environment Co., Ltd.

	<b>SECTIONAL DRAWING</b>	No.	No.
TYPE	submersible sewage pump	MODEL	WQ-11/15kW



order specifications	

No.	names of parts	number	material	No.	names of parts	number	material
1	cable	1	YZW	20	casing	1	HT200
6	cable sleeve	1	HT200	21	impeller	1	HT200
50	top cover	1	HT200	26	framework oil seal	1	NBR-2
58	cable transit board	1	Q235	140	oil filler plug	2	SUS304
64	base	1	HT200	36	machine oil 32#		
25	mechanical seal	1	Carbon/SIC	52B	lower bearing	2	
60	lower cover	1	HT200	56	stator	1	
30	oil lift	1		55	rotor	1	
46	Air release bolt	1		54	shaft	1	
94	guiding	1	HT200	52A	upper bearing	1	
92	pipe	1	SUS304(unaffiliated)	72	eye bolt	2	SUS304
93	guide hook	1	HT200	510	lift chain	1	45#(forging galvanized)
91	water outlet base	1	HT200	23	foot bracket	3	HT200
22	water inlet cover	1	HT200	10	Cable lockblock	2	HT200

Nanfang Zhongjin Environment CO.,LTD.

unit : mm



### Installation picture 80WQ48-38-11(I)

Manufacturer	CNP
Address	Yuhang District, Hangzhou, Zhejiang,
Contact	86-571-88637351
Date	2022/03/09
Client Name	DPA
Client Addr.	
Contacts	Alireza
Contact	

Project Name

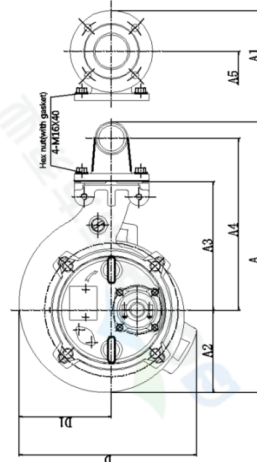
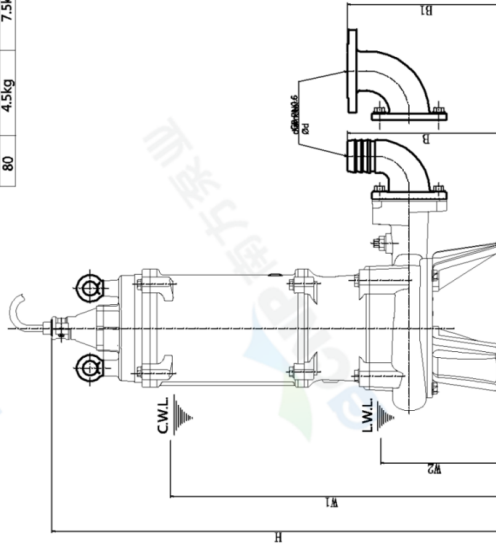
Item NO

**CNP Nanfang Zhongjin Environment Co., Ltd.**

DIMENSION DRAWING		No.	No.
TYPE submersible sewage pump		MODEL	80WQ48-38-11

MODEL	d	A	A1	A2	A3	A4	A5	B	B1	D	D1	W1	W2	H	H body weight
80WQ48-38-11	80	547	608	160	250	345	353	340	320	349	179	670	250	924	135kg

diameter	elbow weight	bend weight
80	4.5kg	7.5kg



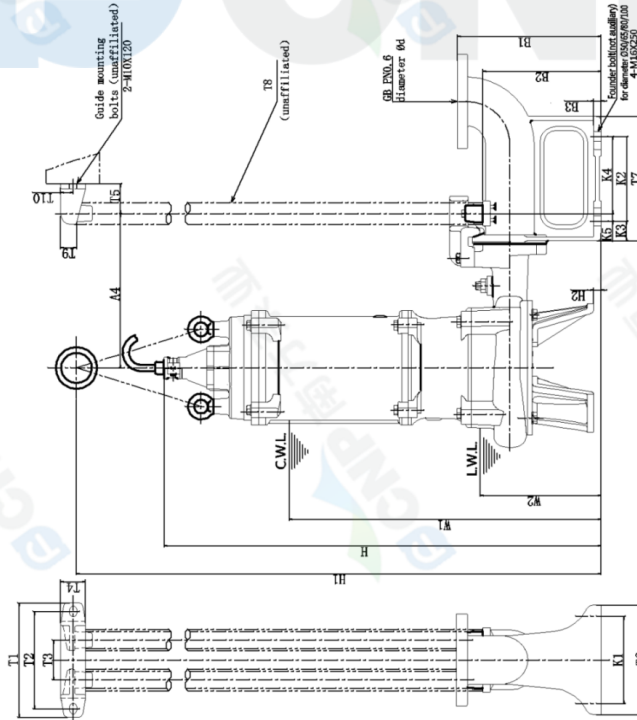
C.W.L. :minimum water level under continuous operation  
L.W.L. :minimum water level under possible operation

Nanfang Zhongjin Environment CO.,LTD. unit : mm

**CNP Nanfang Zhongjin Environment Co., Ltd.**

DIMENSION DRAWING		No.	No.
TYPE submersible sewage pump		MODEL	80WQ48-38-11

MODEL	A	A1	A2	A3	A4	D	D1	W1	W2	H	H1	H2	Body weight							
80WQ48-38-11	160	370	165	260	310	349	179	670	250	925	1325	10	135kg							
80WQ48-38-11	80	230	195	80	50	60	220	250	4.25*φ32.5	31	25	170	170	40	155	15	288	237	15	33kg



C.W.L. :minimum water level under continuous operation  
L.W.L. :minimum water level under possible operation

Nanfang Zhongjin Environment CO.,LTD. unit : mm