
	<b>Product Information</b> <b>80WQ40-10-2.2(I)</b>	Manufacturer	CNP
		Address	Yuhang District, Hangzhou, Zhejiang,
<b>Project Name</b>		Contact	86-571-88637351
		Date	2022/03/09
<b>Item NO</b>		Client Name	DPA
		Client Addr.	
		Contacts	Alireza
		Contact	

Part NO.	80WQ40-10-2.2(I)		
Product Picture	Note		
	<p>The sewage submersible pump is composed of two parts: the motor and the pump.  The two are separated by an oil chamber and a mechanical seal assembly.  Divided into fixed automatic coupling installation and mobile installation</p>		

<b>technology</b>	
Pump rotator speed	2880
Nameplate standards	CE
<b>Material</b>	
Impeller	HT200
Pump shaft	20cr13
Rubber code	P
Pump case	HT200
<b>Installation</b>	
Connection Code	F
Maximum Pressure/Temperatu	6bar/40
Flange Standard	DIN
Pressure Class	PN6
<b>Medium</b>	
Medium Temperature	40
Maximum diameter of partic	26.5
Maximum Environment Temper	40
<b>Structure dimension</b>	
Standard caliber	DN
Outlet Diameter	DN80
<b>Motor</b>	
Number of Motor Phase	Three Phase
Protection Class	IP68
Insulation Class	F
Motor Power	2.2
Power Frequency	50HZ
Rated Voltage (V)	380V
Rated Current (A)	4.6
Starting mode	direct boot
<b>Seal</b>	
Mechanical Seal	H-25
<b>Others</b>	
Weight (kg)	42.5

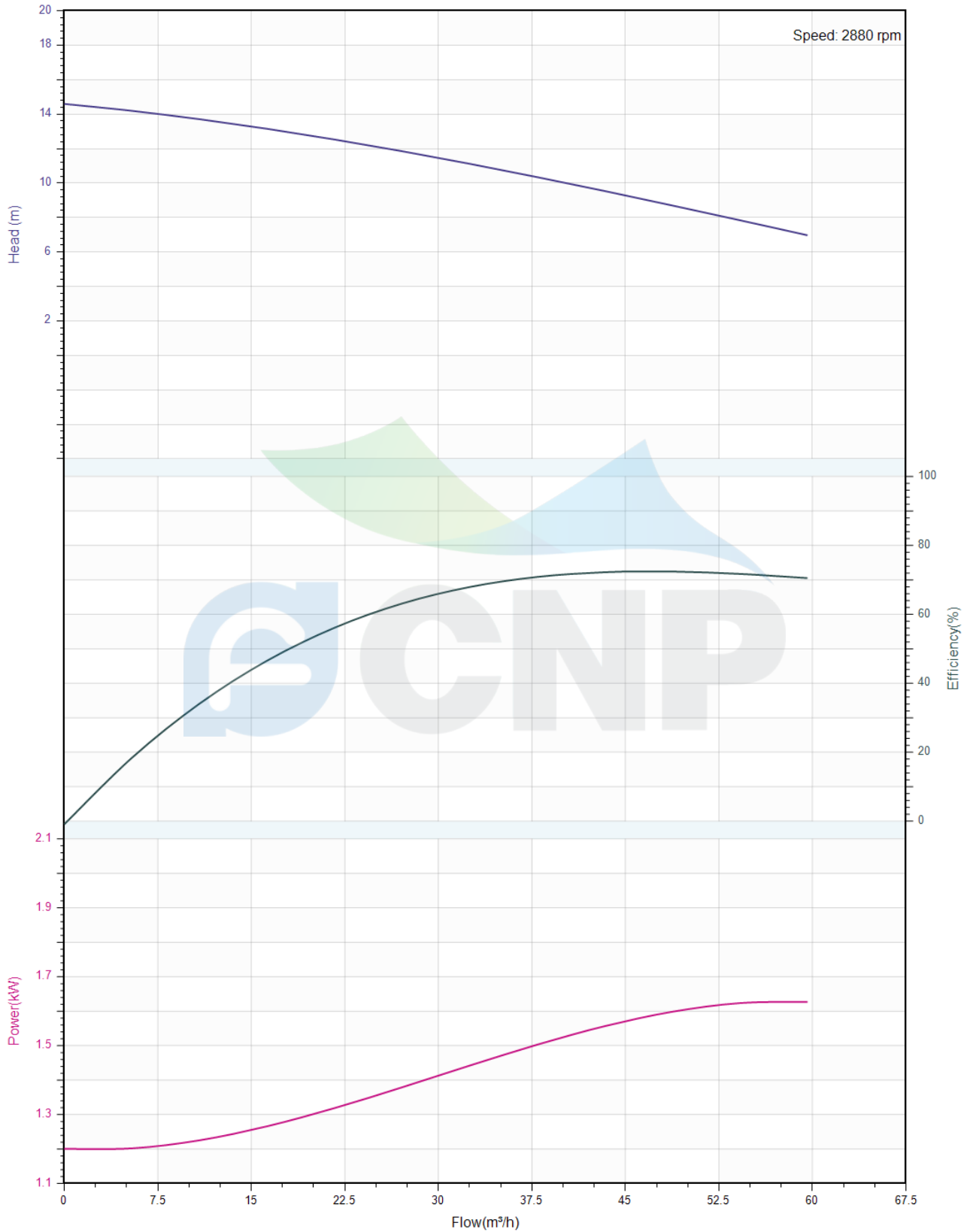


# Performance Curve 80WQ40-10-2.2(I)

Manufacturer	CNP
Address	Yuhang District, Hangzhou, Zhejiang,
Contact	86-571-88637351
Date	2022/03/09
Client Name	DPA
Client Addr.	
Contacts	Alireza
Contact	

Project Name	
Item NO	

The hydraulic performance curve have been tested with Clean Water at 20°C, density 1000kg/m<sup>3</sup>, and at 1bar atmospheric pressure. ISO99062012 Grade 3B





### Pump Technical Parameters 80WQ40-10-2.2(I)

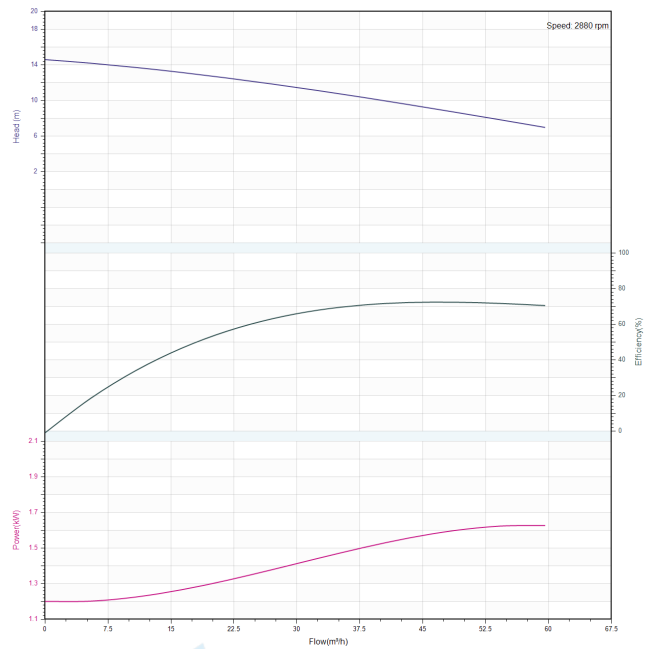
Manufacturer	CNP
Address	Yuhang District, Hangzhou, Zhejiang,
Contact	86-571-88637351
Date	2022/03/09
Client Name	DPA
Client Addr.	
Contacts	Alireza
Contact	


#### Rated parameters

Pump model	80WQ40-10-2.2(I)
Part NO.	80WQ40-10-2.2(I)
Rated flow (m <sup>3</sup> /h)	40
Rated head (m)	10
Rated efficiency (%)	54.7
Power (kW)	1.993
Speed (rpm)	2880

#### Medium

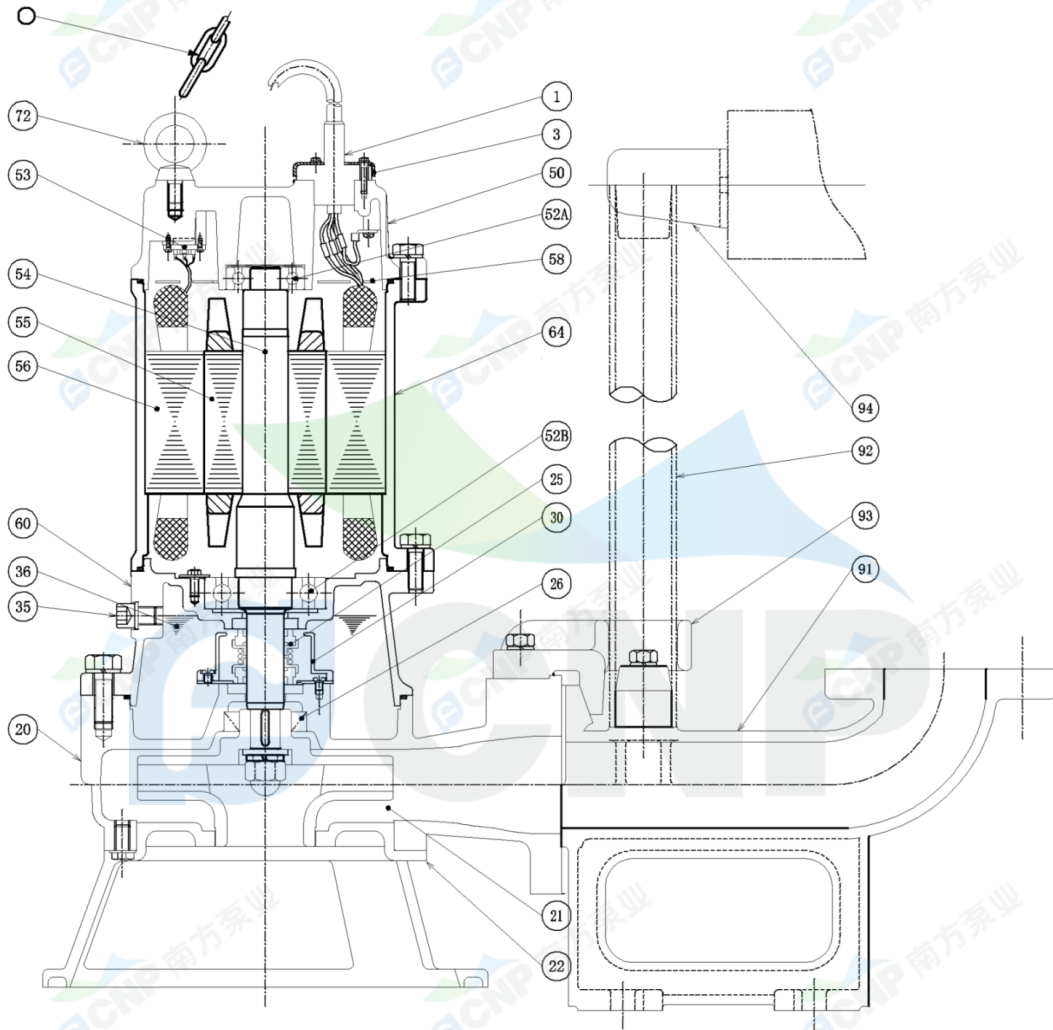
Pumped medium	Clean Water
Working temperature (°C)	20
Medium density (kg/m <sup>3</sup> )	1000
Viscosity (mm <sup>2</sup> /s)	1



	<b>Structure picture</b> <b>80WQ40-10-2.2(I)</b>	Manufacturer	CNP
		Address	Yuhang District, Hangzhou, Zhejiang,
		Contact	86-571-88637351
		Date	2022/03/09
Project Name		Client Name	DPA
		Client Addr.	
Item NO		Contacts	Alireza
		Contact	

**CNP Nanfang Zhongjin Environment Co., Ltd.**

	<b>SECTIONAL DRAWING</b>	No.	No.
TYPE	submersible sewage pump	MODEL	WQ-1.5/2.2/3.0/4.0kW



order specifications		

No.	names of parts	number	material	No.	names of parts	number	material
1	cable	1	YZW	22	water inlet cover	1	HT200
3	cable cover	1	SUS304	20	casing	1	HT200
50	top cover	1	HT200	35	oil filler plug	1	SUS304
52A	upper bearing	1		36	machine oil 32#		
58	cable transit board	1		60	lower cover	1	HT200
64	base	1	HT200	56	stator	1	
52B	lower bearing	1		55	rotor	1	
25	mechanical seal	1	Carbon/SIC	54	shaft	1	
30	oil lift	1		53	thermal protector	1	
26	framework oil seal	1	NBRI-2	72	eye bolt	2	45#(forging galvanized)
93	guide hook	1	HT200	91	water outlet base	1	HT200
21	impeller	1	HT200	94	guiding	1	HT200
510	lift chain	1	SUS304	92	pipe	1	SUS304(unaffiliated)

Nanfang Zhongjin Environment CO.,LTD.

unit : mm



# Installation picture 80WQ40-10-2.2(I)

Manufacturer	CNP
Address	Yuhang District, Hangzhou, Zhejiang,
Contact	86-571-88637351
Date	2022/03/09
Client Name	DPA
Client Addr.	
Contacts	Alireza
Contact	

Project Name

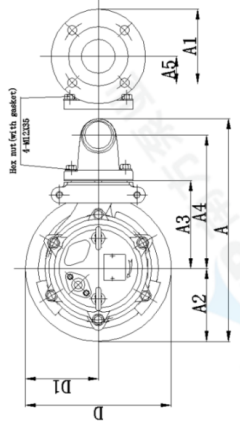
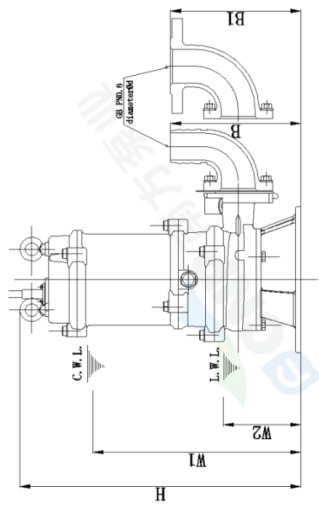
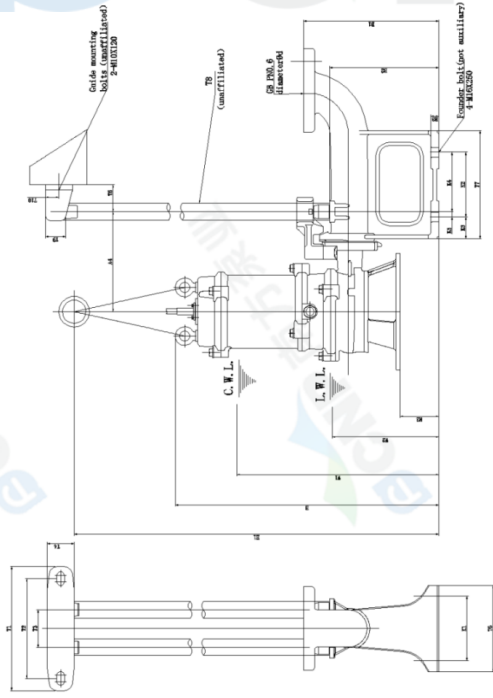
Item NO

**CNP** Nanfang Zhongjin Environment Co., Ltd.

DIMENSION DRAWING	No.	No.
TYPE	submersible sewage pump	MODEL
		80WQ40-10-2.2

MODEL	d	A	A1	A2	A3	A4	A5	D	B1	D	D	D1	W1	W2	H	Body weight
80WQ40-10-2.2	80	431	492	128	173	268	275	276	256	256	256	370	167	545	45.5kg	

diameter elbow weight	7.5kg
body weight	4.5kg



C.W.L. : minimum water level under continuous operation  
L.W.L. : minimum water level under possible operation

Nanfang Zhongjin Environment CO., LTD. unit: mm

C.W.L. : minimum water level under continuous operation  
L.W.L. : minimum water level under possible operation

Nanfang Zhongjin Environment CO., LTD. unit: mm