
	<b>Product information</b> <b>80WQ36-10-2.2/QG(I)</b>	Manufacturer	CNP
		Address	Yuhang District, Hangzhou,
<b>Project Name</b>		Contact	86-571-88637351
		Date	2022/03/09
<b>Station Number</b>		Client Name	DPA
		Client Addr.	
		Contacts	Alireza
		Contact	

Product No.	80WQ36-10-2.2/QG(I)
-------------	---------------------

Product picture(Note:the picture may not be the same as the	Series description
	Single channel or double channel impeller.Auto-coupling system on request.

<b>Performance Data</b>	
Rated flow(m <sup>3</sup> /h)	36
Rated head(m)	10
Efficiency(%)	54.7
Rated power(kW)(kW)	1.718
Rate Speed(rpm)	1413
<b>technology</b>	
Pump rotator speed	1413
Nameplate standards	CE
<b>Material</b>	
Impeller	HT200
Pump shaft	20cr13
Rubber code	P
Pump case	HT200
<b>Installation</b>	
Connection Code	F
Maximum Pressure/Temperatu	6bar/40
Flange Standard	DIN
Pressure Class	PN6
<b>Medium</b>	
Medium Temperature	40
Maximum diameter of partic	47
Maximum Environment Temper	40
<b>Structure dimension</b>	
Standard	DN
Outlet size	DN80
<b>Motor</b>	
Number of Motor Phase	Three Phase
Protection Class	IP68
Insulation Class	F
Motor Power	2.2
Power Frequency	50HZ
Rated Voltage (V)	380V
Rated Current (A)	5.5

	<b>Product information</b> <b>80WQ36-10-2.2/QG(I)</b>	Manufacturer	CNP
		Address	Yuhang District, Hangzhou,
		Contact	86-571-88637351
		Date	2022/03/09
<b>Project Name</b>		Client Name	DPA
		Client Addr.	
<b>Station Number</b>		Contacts	Alireza
		Contact	

Starting mode                      direct boot

**Seal**

Mechanical Seal                      H-30

**Others**

Weight (kg)                              65





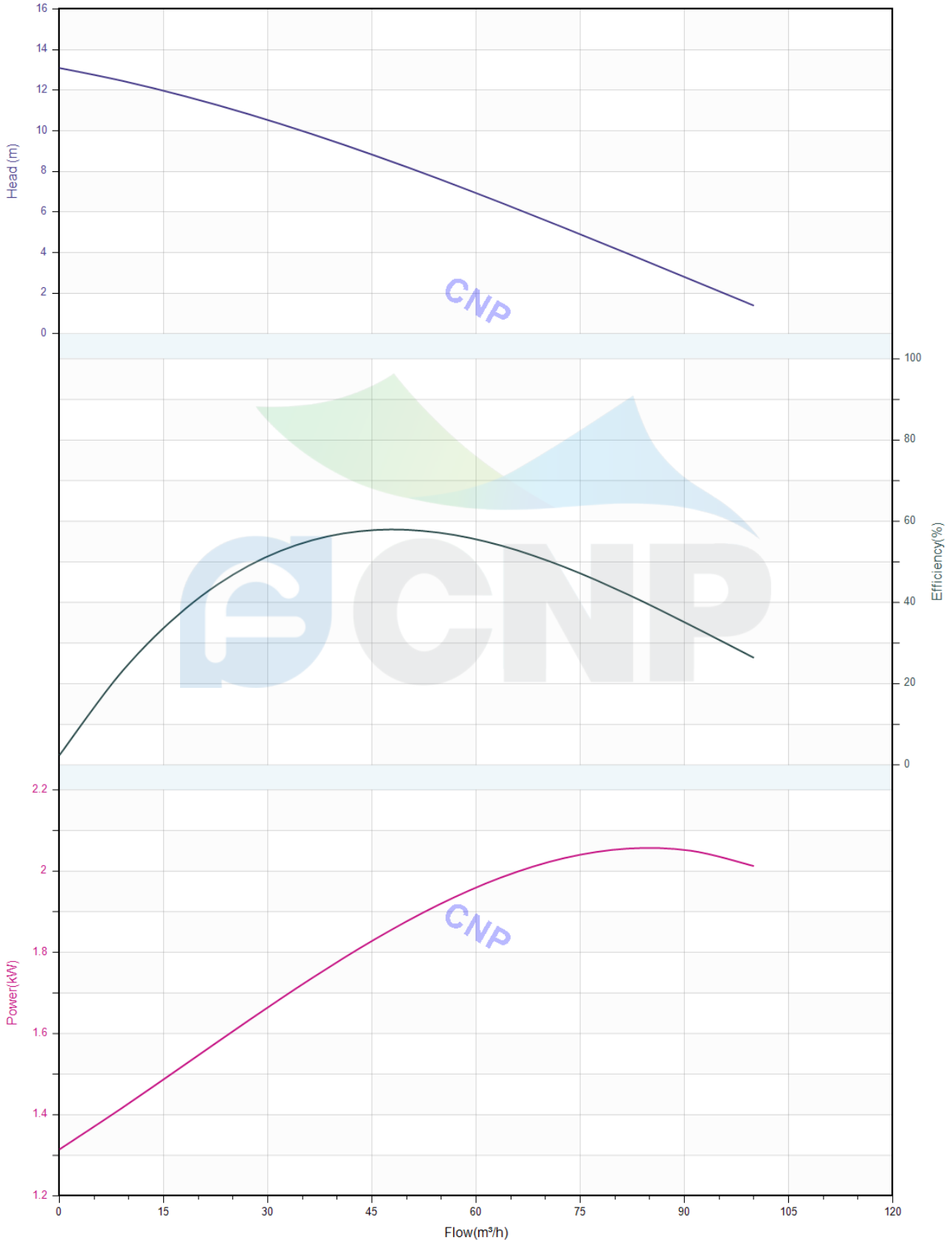
### Performance Curve 80WQ36-10-2.2/QG(I)


Manufacturer	CNP
Address	Yuhang District, Hangzhou,
Contact	86-571-88637351
Date	2022/03/09
Client Name	DPA
Client Addr.	
Contacts	Alireza
Contact	

Project Name

Station Number

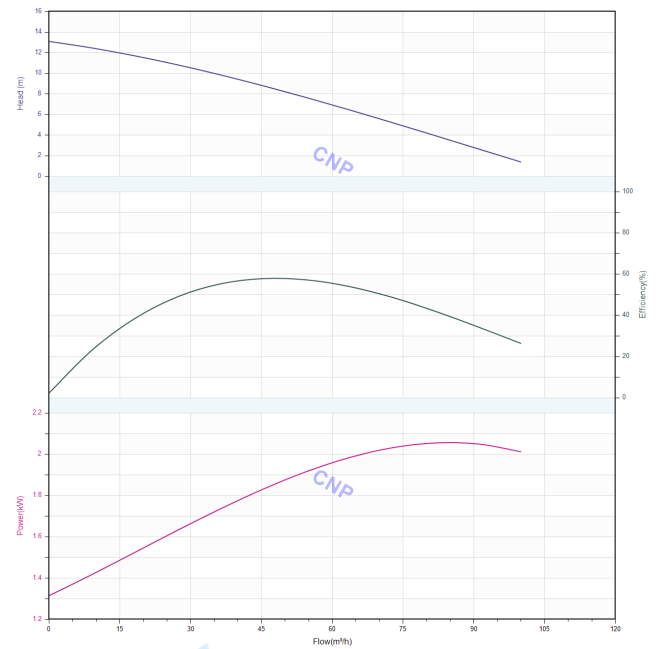
Medium Name Clear Water , Temperature 20°C, Density 1000kg/m<sup>3</sup>, Viscosity 1mm<sup>2</sup>/s, (ISO99062012 Grande 3B)



	<b>Pump technical parameters</b> <b>80WQ36-10-2.2/QG(I)</b>	Manufacturer	CNP
		Address	Yuhang District, Hangzhou,
Project Name		Contact	86-571-88637351
		Date	2022/03/09
Station Number		Client Name	DPA
		Client Addr.	
		Contacts	Alireza
		Contact	

Rated parameters	
Pump model	80WQ36-10-2.2/QG(I)
Product No.	80WQ36-10-2.2/QG(I)
Rated flow(m <sup>3</sup> /h)	36
Rated pressure(m)	10
Rated efficiency(%)	54.7
Power(kW)	1.718
Speed(rpm)	1413

Medium	
Medium Name	Clear Water
Working temperature(°C)	20
Medium density(kg/m <sup>3</sup> )	1000
Viscosity(mm <sup>2</sup> /s)	1





## Installation picture 80WQ36-10-2.2/QG(I)

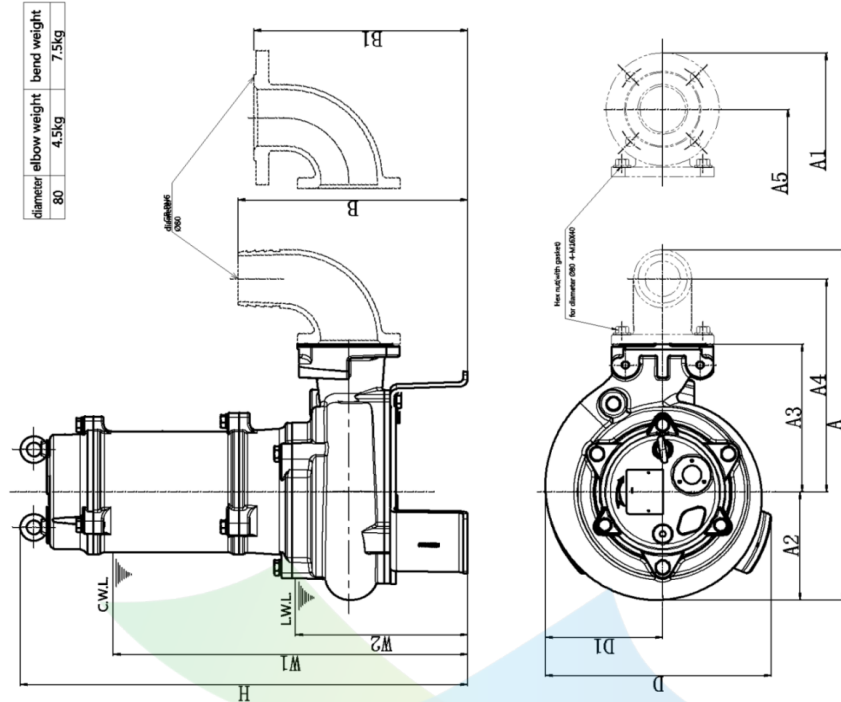
Manufacturer	CNP
Address	Yuhang District, Hangzhou,
Contact	86-571-88637351
Date	2022/03/09
Client Name	DPA
Client Addr.	
Contacts	Alireza
Contact	

Project Name

Station Number

CNP Nanfang Zhongjin Environment Co., Ltd.

DIMENSION DRAWING		No.	No.												
TYPE submersible sewage pump		MODEL 80WQ36-10-2.2/QG(4P)													
MODEL	d	A	A1	A2	A3	A4	A5	B	B1	D	D1	W1	W2	H	Body weight
WQ36-10-2.2/QG(4P)	80	499	561	154	210	305	312	326	303	320	166	500	240	643	56kg

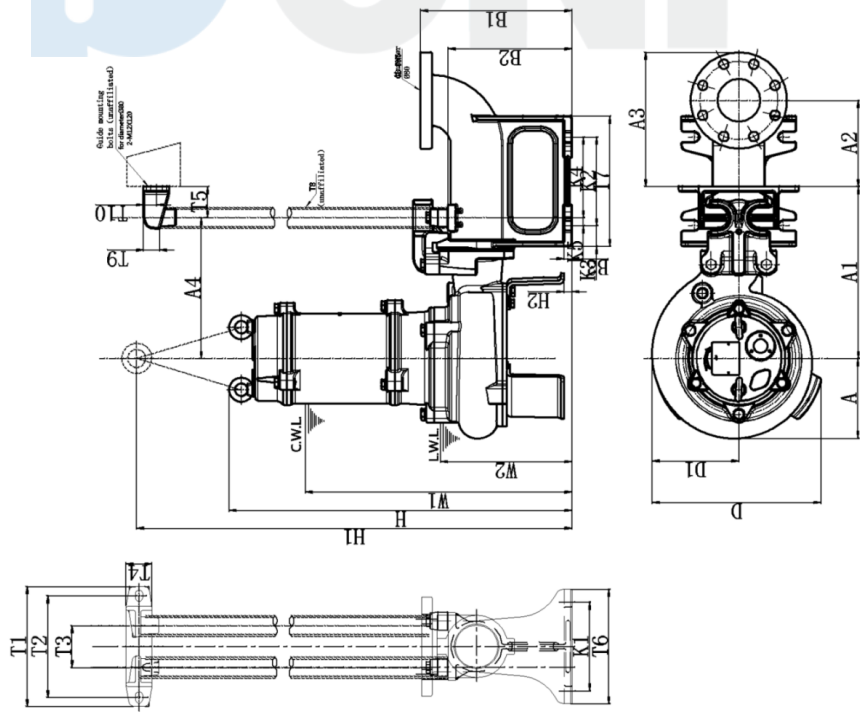


C.W.L. :minimum water level under continuous operation  
L.W.L. :minimum water level under possible operation

unit : mm  
Nanfang Zhongjin Environment CO.,LTD.

CNP Nanfang Zhongjin Environment Co., Ltd.

DIMENSION DRAWING		No.	No.																	
TYPE submersible sewage pump		MODEL 80WQ36-10-2.2/QG(4P)																		
MODEL	d	A	A1	A2	A3	A4	A5	B	B1	D	D1	W1	W2	H	Body weight					
WQ36-10-2.2/QG(4P)	80	230	195	80	50	60	220	250	1.27*WQ36.5	31	25	170	170	40	355	15	290	237	15	33kg



C.W.L. :minimum water level under continuous operation  
L.W.L. :minimum water level under possible operation

unit : mm  
Nanfang Zhongjin Environment CO.,LTD.