

	Product information 80WQ36-10-2.2(I)	Manufacturer	CNP
		Address	Yuhang District, Hangzhou,
Project Name		Contact	86-571-88637351
		Date	2022/03/09
Station Number		Client Name	DPA
		Client Addr.	
		Contacts	Alireza
		Contact	

Product No.	80WQ36-10-2.2(I)
-------------	------------------

Product picture(Note:the picture may not be the same as the	Series description
	Single channel or double channel impeller.Auto-coupling system on request.

Performance Data	
Rated flow(m ³ /h)	36
Rated head(m)	10
Efficiency(%)	57.1
Rated power(kW)(kW)	1.718
Rate Speed(rpm)	1413
technology	
Pump rotator speed	1413
Nameplate standards	CE
Material	
Impeller	HT200
Pump shaft	20cr13
Rubber code	P
Pump case	HT200
Installation	
Connection Code	F
Maximum Pressure/Temperatu	6bar/40
Flange Standard	DIN
Pressure Class	PN6
Medium	
Medium Temperature	40
Maximum diameter of partic	50
Maximum Environment Temper	40
Structure dimension	
Standard	DN
Outlet size	DN80
Motor	
Number of Motor Phase	Three Phase
Protection Class	IP68
Insulation Class	F
Motor Power	2.2
Power Frequency	50HZ
Rated Voltage (V)	380V
Rated Current (A)	5.5

	Product information 80WQ36-10-2.2(I)	Manufacturer	CNP
		Address	Yuhang District, Hangzhou,
		Contact	86-571-88637351
		Date	2022/03/09
Project Name		Client Name	DPA
		Client Addr.	
Station Number		Contacts	Alireza
		Contact	

Starting mode direct boot

Seal

Mechanical Seal H-30

Others

Weight (kg) 56





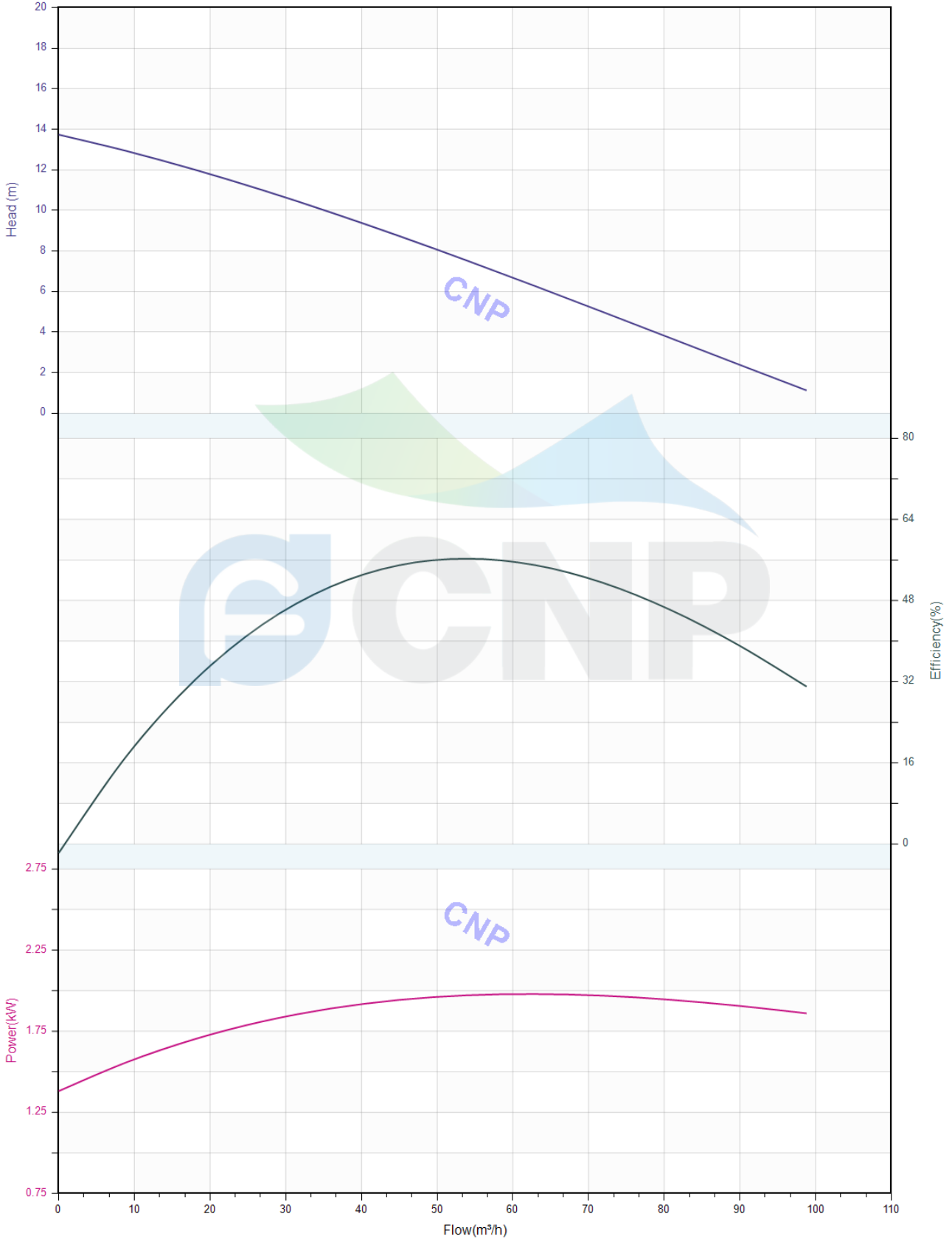
Performance Curve 80WQ36-10-2.2(I)

Manufacturer	CNP
Address	Yuhang District, Hangzhou,
Contact	86-571-88637351
Date	2022/03/09
Client Name	DPA
Client Addr.	
Contacts	Alireza
Contact	

Project Name

Station Number

Medium Name Clear Water , Temperature 20°C, Density 1000kg/m³, Viscosity 1mm²/s, (ISO99062012 Grande 3B)





Pump technical parameters 80WQ36-10-2.2(I)

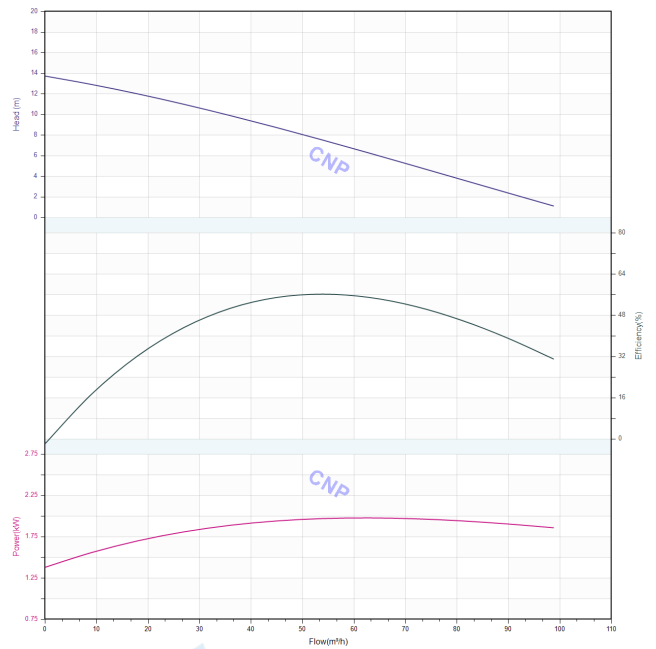
Manufacturer	CNP
Address	Yuhang District, Hangzhou,
Contact	86-571-88637351
Date	2022/03/09
Client Name	DPA
Client Addr.	
Contacts	Alireza
Contact	


Rated parameters

Pump model	80WQ36-10-2.2(I)
Product No.	80WQ36-10-2.2(I)
Rated flow(m ³ /h)	36
Rated pressure(m)	10
Rated efficiency(%)	57.1
Power(kW)	1.718
Speed(rpm)	1413

Medium

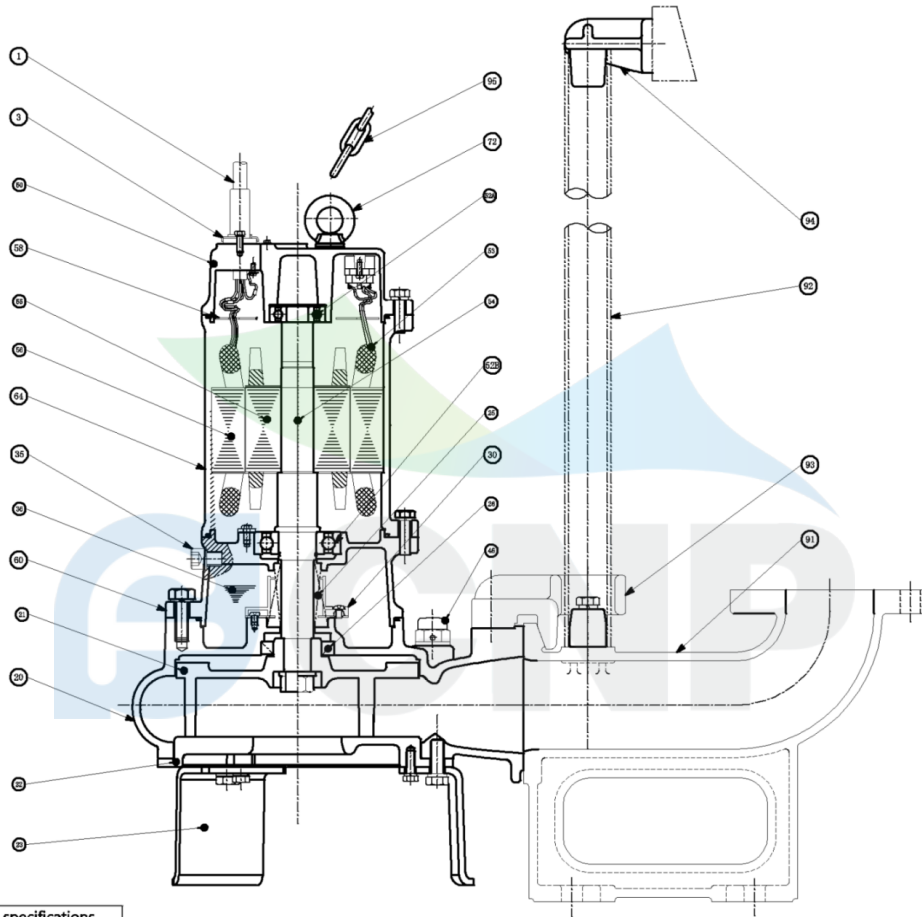
Medium Name	Clear Water
Working temperature(°C)	20
Medium density(kg/m ³)	1000
Viscosity(mm ² /s)	1



	Structure picture 80WQ36-10-2.2(I)	Manufacturer	CNP
		Address	Yuhang District, Hangzhou,
Project Name		Contact	86-571-88637351
		Date	2022/03/09
Station Number		Client Name	DPA
		Client Addr.	
		Contacts	Alireza
		Contact	

CNP Nanfang Zhongjin Environment Co., Ltd.

	SECTIONAL DRAWING	No.	No.
TYPE	submersible sewage pump	MODEL	WQ-2.2/4.0kW



order specifications

No.	names of parts	number	material	No.	names of parts	number	material
1	cable	1	YZW	91	water outlet base	1	HT200
3	cable cover	1	HT200	46	Air release bolt	1	
50	top cover	1	HT200	21	impeller	1	HT200
58	cable transit board	1	Q235	26	framework oil seal	1	NBRI-2
64	base	1	HT200	36	machine oil 32#		
25	mechanical seal	1	Carbon/SIC	52B	lower bearing	2	
30	oil lift	1		56	stator	1	
140	oil filler plug	2	SUS304	55	rotor	1	
60	lower cover	1	HT200	54	shaft	1	
20	casing	1	HT200	53	thermal protector	1	
22	water inlet cover	1	HT200	52A	upper bearing	1	
94	guiding	1	HT200	72	eye bolt	2	45#(forging galvanized)
92	pipe	1	SUS304(unaffiliated)	95	lift chain	1	SUS304
93	guide hook	1	HT200				

Nanfang Zhongjin Environment CO.,LTD.

unit : mm



Installation picture 80WQ36-10-2.2(I)

Manufacturer	CNP
Address	Yuhang District, Hangzhou,
Contact	86-571-88637351
Date	2022/03/09
Client Name	DPA
Client Addr.	
Contacts	Alireza
Contact	

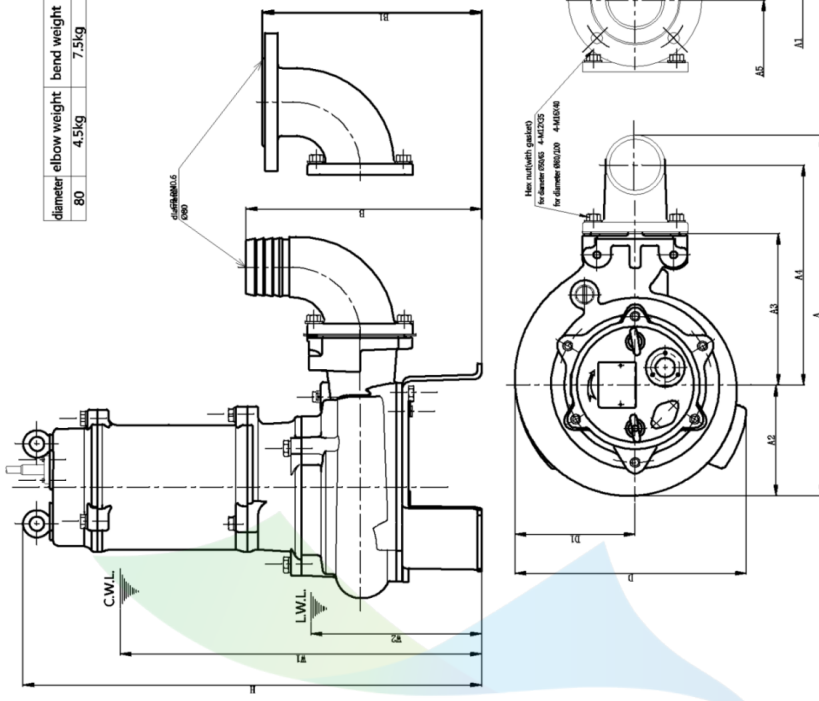
Project Name

Station Number

CNP Nanfang Zhongjin Environment Co., Ltd.

DIMENSION DRAWING		No.
TYPE submersible sewage pump		MODEL 80WQ36-10-2.2

MODEL	d	A	A1	A2	A3	A4	A5	B	B1	D	DI	W1	W2	H	Body weight
80WQ36-10-2.2	80	499	561	154	210	305	312	326	303	333	166	500	240	642	56kg



C.W.L.: minimum water level under continuous operation
L.W.L.: minimum water level under possible operation

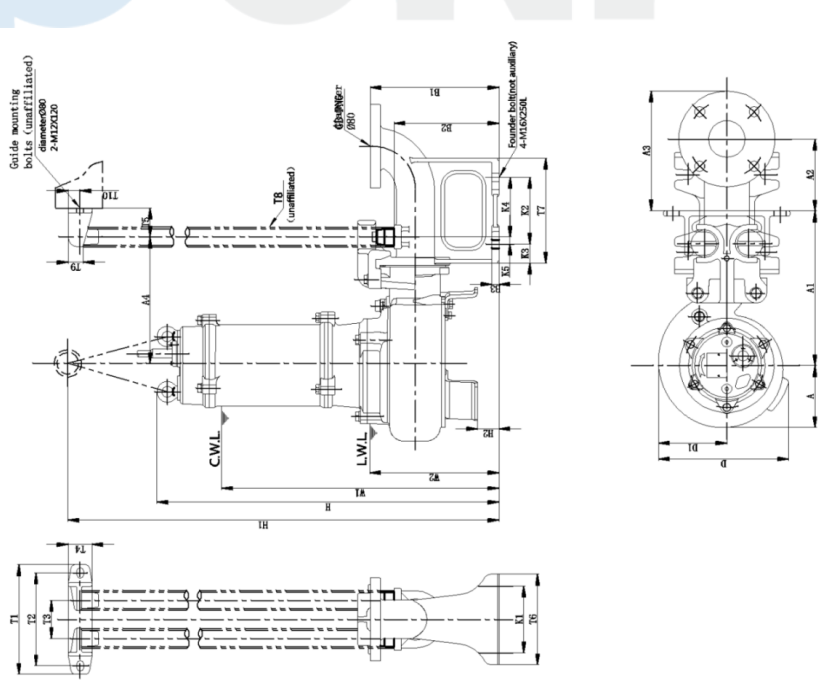
unit : mm

Nanfang Zhongjin Environment CO.,LTD.

CNP Nanfang Zhongjin Environment Co., Ltd.

DIMENSION DRAWING		No.
TYPE submersible sewage pump		MODEL 80WQ36-10-2.2

MODEL	A	A1	A2	A3	A4	D	DI	W1	W2	H	H1	H2	Body weight							
80WQ36-10-2.2(4P)	154	130	105	260	270	324	166	500	240	778	1170	65	56kg							
Other diameter	d	T1	T2	T3	T4	T5	T6	T7	T8	K1	K2	K3	K4	K5	B1	B2	B3	Company weight		
80WQ36-10-2.2(4P)	80	230	195	80	50	60	220	250	127/130/135	31	25	170	170	40	155	15	200	277	15	33kg



C.W.L.: minimum water level under continuous operation
L.W.L.: minimum water level under possible operation

unit : mm

Nanfang Zhongjin Environment CO.,LTD.