

	Product information 80WQ35-40-11/QG(I)	Manufacturer	CNP
		Address	Yuhang District, Hangzhou,
Project Name		Contact	86-571-88637351
		Date	2022/03/09
Station Number		Client Name	DPA
		Client Addr.	
		Contacts	Alireza
		Contact	

Product No.	80WQ35-40-11/QG(I)
-------------	--------------------

Product picture(Note:the picture may not be the same as the	Series description
	Single channel or double channel impeller.Auto-coupling system on request.

Performance Data	
Rated flow(m ³ /h)	35
Rated head(m)	40
Efficiency(%)	44.1
Rated power(kW)(kW)	9.046
Rate Speed(rpm)	2930
technology	
Pump rotator speed	2930
Nameplate standards	CE
Material	
Impeller	HT200
Pump shaft	20cr13
Rubber code	P
Pump case	HT200
Installation	
Connection Code	F
Maximum Pressure/Temperatu	6bar/40
Flange Standard	DIN
Pressure Class	PN6
Medium	
Medium Temperature	40
Maximum diameter of partic	25
Maximum Environment Temper	40
Structure dimension	
Standard	DN
Outlet size	DN80
Motor	
Number of Motor Phase	Three Phase
Protection Class	IP68
Insulation Class	F
Motor Power	11
Power Frequency	50HZ
Rated Voltage (V)	380V
Rated Current (A)	21.7

	Product information 80WQ35-40-11/QG(I)	Manufacturer	CNP
		Address	Yuhang District, Hangzhou,
		Contact	86-571-88637351
		Date	2022/03/09
Project Name		Client Name	DPA
		Client Addr.	
Station Number		Contacts	Alireza
		Contact	

Starting mode direct boot

Seal

Mechanical Seal H-30

Others

Weight (kg) 130





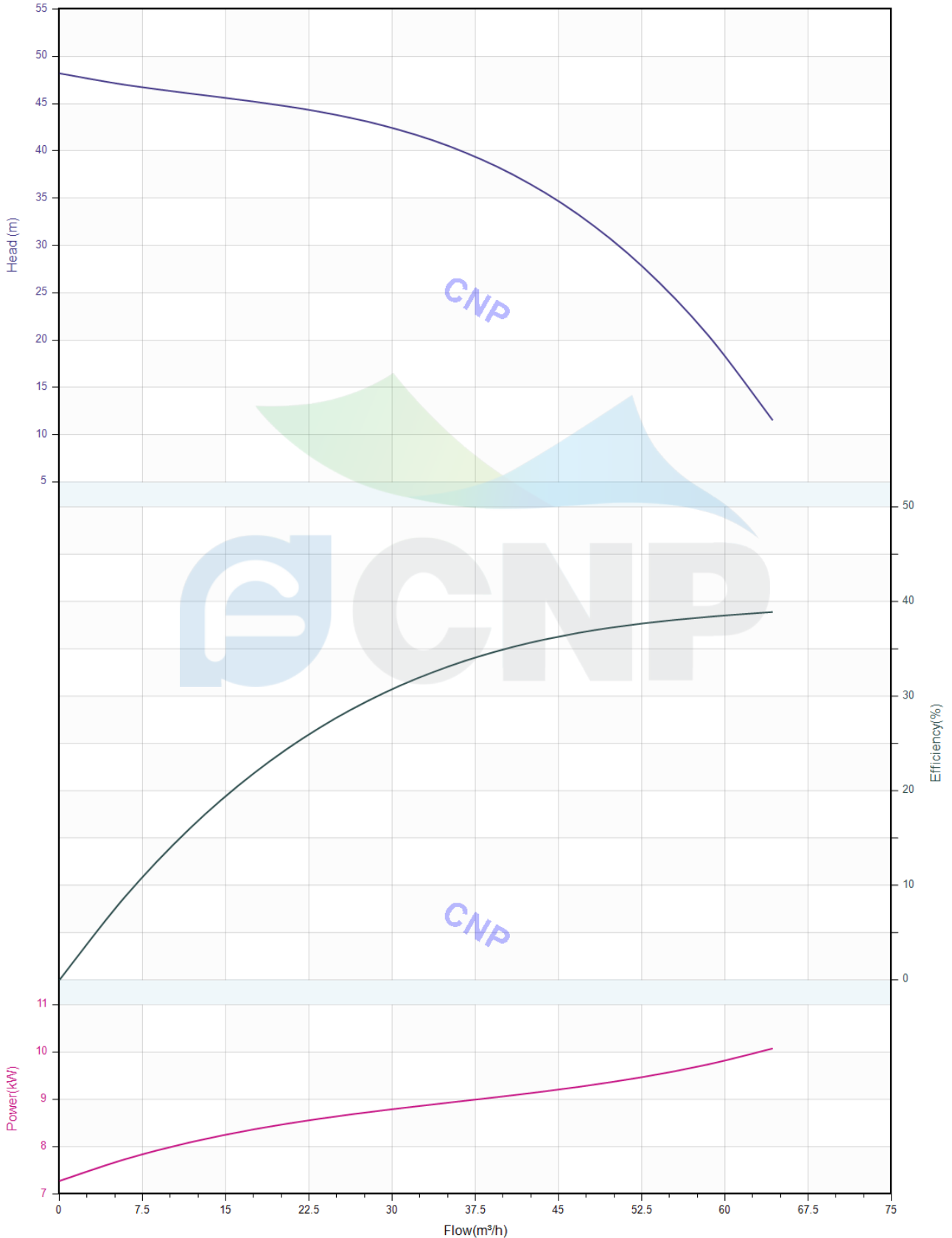
Performance Curve 80WQ35-40-11/QG(I)

Manufacturer	CNP
Address	Yuhang District, Hangzhou,
Contact	86-571-88637351
Date	2022/03/09
Client Name	DPA
Client Addr.	
Contacts	Alireza
Contact	

Project Name

Station Number

Medium Name Clear Water , Temperature 20°C, Density 1000kg/m³, Viscosity 1mm²/s, (ISO99062012 Grande 3B)





Pump technical parameters 80WQ35-40-11/QG(I)

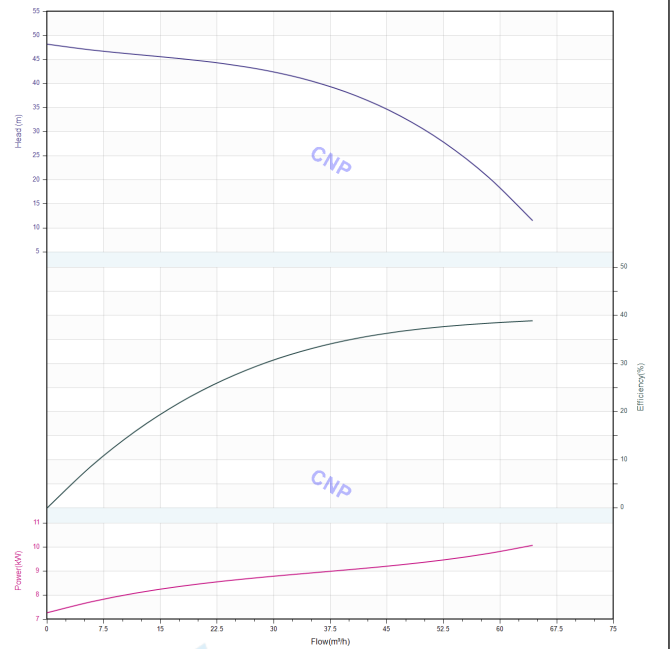
Manufacturer	CNP
Address	Yuhang District, Hangzhou,
Contact	86-571-88637351
Date	2022/03/09
Client Name	DPA
Client Addr.	
Contacts	Alireza
Contact	


Rated parameters

Pump model	80WQ35-40-11/QG(I)
Product No.	80WQ35-40-11/QG(I)
Rated flow(m ³ /h)	35
Rated pressure(m)	40
Rated efficiency(%)	44.1
Power(kW)	9.046
Speed(rpm)	2930

Medium

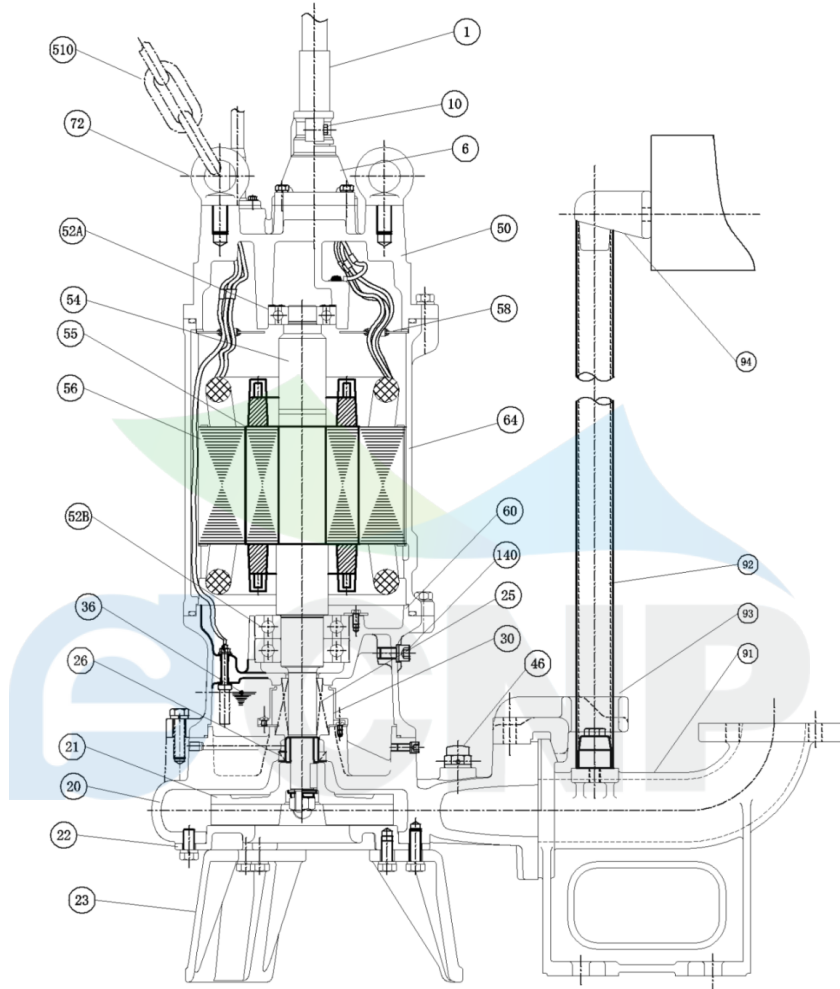
Medium Name	Clear Water
Working temperature(°C)	20
Medium density(kg/m ³)	1000
Viscosity(mm ² /s)	1



	Structure picture 80WQ35-40-11/QG(I)	Manufacturer	CNP
		Address	Yuhang District, Hangzhou,
Project Name		Contact	86-571-88637351
		Date	2022/03/09
Station Number		Client Name	DPA
		Client Addr.	
		Contacts	Alireza
		Contact	

CNP Nanfang Zhongjin Environment Co., Ltd.

	SECTIONAL DRAWING	No.	No.
TYPE	submersible sewage pump	MODEL	WQ-11/15kW



order specifications	

No.	names of parts	number	material	No.	names of parts	number	material
1	cable	1	YZW	20	casing	1	HT200
6	cable sleeve	1	HT200	21	impeller	1	HT200
50	top cover	1	HT200	26	framework oil seal	1	NBR-2
58	cable transit board	1	Q235	140	oil filler plug	2	SUS304
64	base	1	HT200	36	machine oil 32#		
25	mechanical seal	1	Carbon/SIC	52B	lower bearing	2	
60	lower cover	1	HT200	56	stator	1	
30	oil lift	1		55	rotor	1	
46	Air release bolt	1		54	shaft	1	
94	guiding	1	HT200	52A	upper bearing	1	
92	pipe	1	SUS304(unaffiliated)	72	eye bolt	2	SUS304
93	guide hook	1	HT200	510	lift chain	1	45#(forging galvanized)
91	water outlet base	1	HT200	23	foot bracket	3	HT200
22	water inlet cover	1	HT200	10	Cable lockblock	2	HT200

Nanfang Zhongjin Environment CO.,LTD.

unit : mm



Installation picture 80WQ35-40-11/QG(I)

Manufacturer	CNP
Address	Yuhang District, Hangzhou,
Contact	86-571-88637351
Date	2022/03/09
Client Name	DPA
Client Addr.	
Contacts	Alireza
Contact	

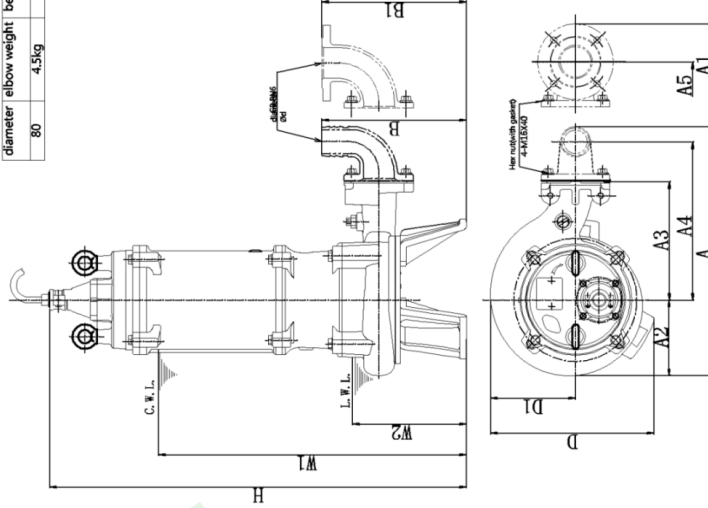
Project Name

Station Number

CNP Nanfang Zhongjin Environment Co., Ltd.

DIMENSION DRAWING		No.													
TYPE submersible sewage pump		MODEL	80WQ35-40-11/QG												
MODEL	d	A	A1	A2	A3	A4	A5	B	B1	D	DI	W1	W2	H	Body weight
WQ35-40-11/QG	80	542	605	160	250	344.5	352	340	320	349	179	605	235	870	99kg

diameter	80
elbow weight	4.5kg
bend weight	7.5kg



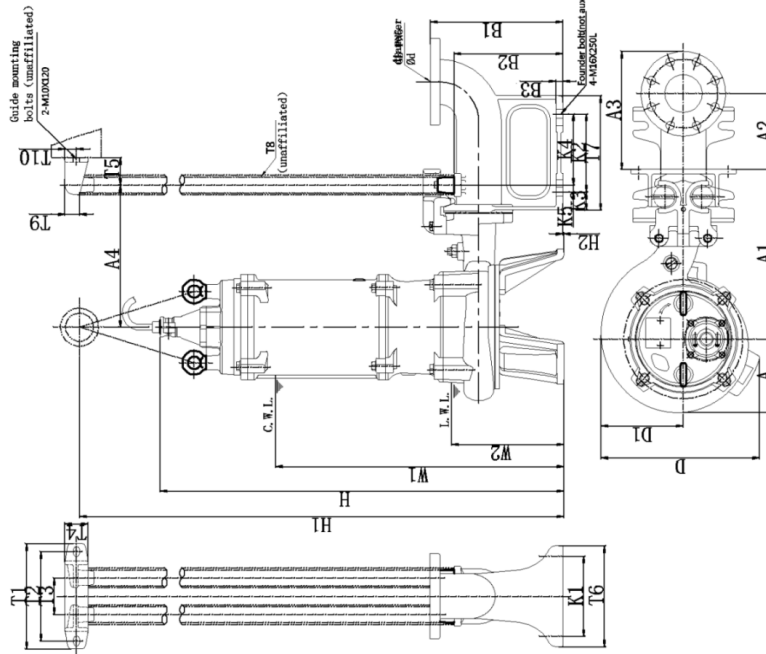
C.W.L. : minimum water level under continuous operation
L.W.L. : minimum water level under possible operation

unit : mm

Nanfang Zhongjin Environment CO.,LTD.

CNP Nanfang Zhongjin Environment Co., Ltd.

DIMENSION DRAWING		No.													
TYPE submersible sewage pump		MODEL	80WQ35-40-11/QG												
MODEL	d	A	A1	A2	A3	A4	A5	B	B1	D	DI	W1	W2	H	Body weight
WQ35-40-11/QG	80	542	605	160	250	344.5	352	340	320	349	179	605	235	870	99kg



C.W.L. : minimum water level under continuous operation
L.W.L. : minimum water level under possible operation

unit : mm

Nanfang Zhongjin Environment CO.,LTD.