
	<b>Product information</b> <b>65WQX25-9-1.5</b>	Manufacturer	CNP
		Address	Yuhang District, Hangzhou,
<b>Project Name</b>		Contact	86-571-88637351
		Date	2022/03/09
<b>Station Number</b>		Client Name	DPA
		Client Addr.	
		Contacts	Alireza
		Contact	

Product No.	65WQX25-9-1.5
-------------	---------------

Product picture(Note:the picture may not be the same as the	Series description
	Single channel or double channel impeller.Auto-coupling system on request.

<b>Performance Data</b>	
Rated flow(m <sup>3</sup> /h)	25
Rated head(m)	9
Efficiency(%)	37.8
Rated power(kW)(kW)	1.43
Rate Speed(rpm)	2880
<b>technology</b>	
Pump rotator speed	2880
Nameplate standards	CE
<b>Material</b>	
Impeller	HT200
Pump shaft	20cr13
Rubber code	P
Pump case	HT200
<b>Installation</b>	
Connection Code	F
Maximum Pressure/Temperatu	6bar/40
Flange Standard	DIN
Pressure Class	PN6
<b>Medium</b>	
Medium Temperature	40
Maximum diameter of partic	47
Maximum Environment Temper	40
<b>Structure dimension</b>	
Standard	DN
Outlet size	DN65
<b>Motor</b>	
Number of Motor Phase	Three Phase
Protection Class	IP68
Insulation Class	F
Motor Power	1.5
Power Frequency	50HZ
Rated Voltage (V)	380V
Rated Current (A)	3.3

	<b>Product information</b> <b>65WQX25-9-1.5</b>	Manufacturer	CNP
		Address	Yuhang District, Hangzhou,
		Contact	86-571-88637351
		Date	2022/03/09
<b>Project Name</b>		Client Name	DPA
		Client Addr.	
<b>Station Number</b>		Contacts	Alireza
		Contact	

Starting mode

**Seal**

Mechanical Seal                      H-20

**Others**

Weight (kg)                                36





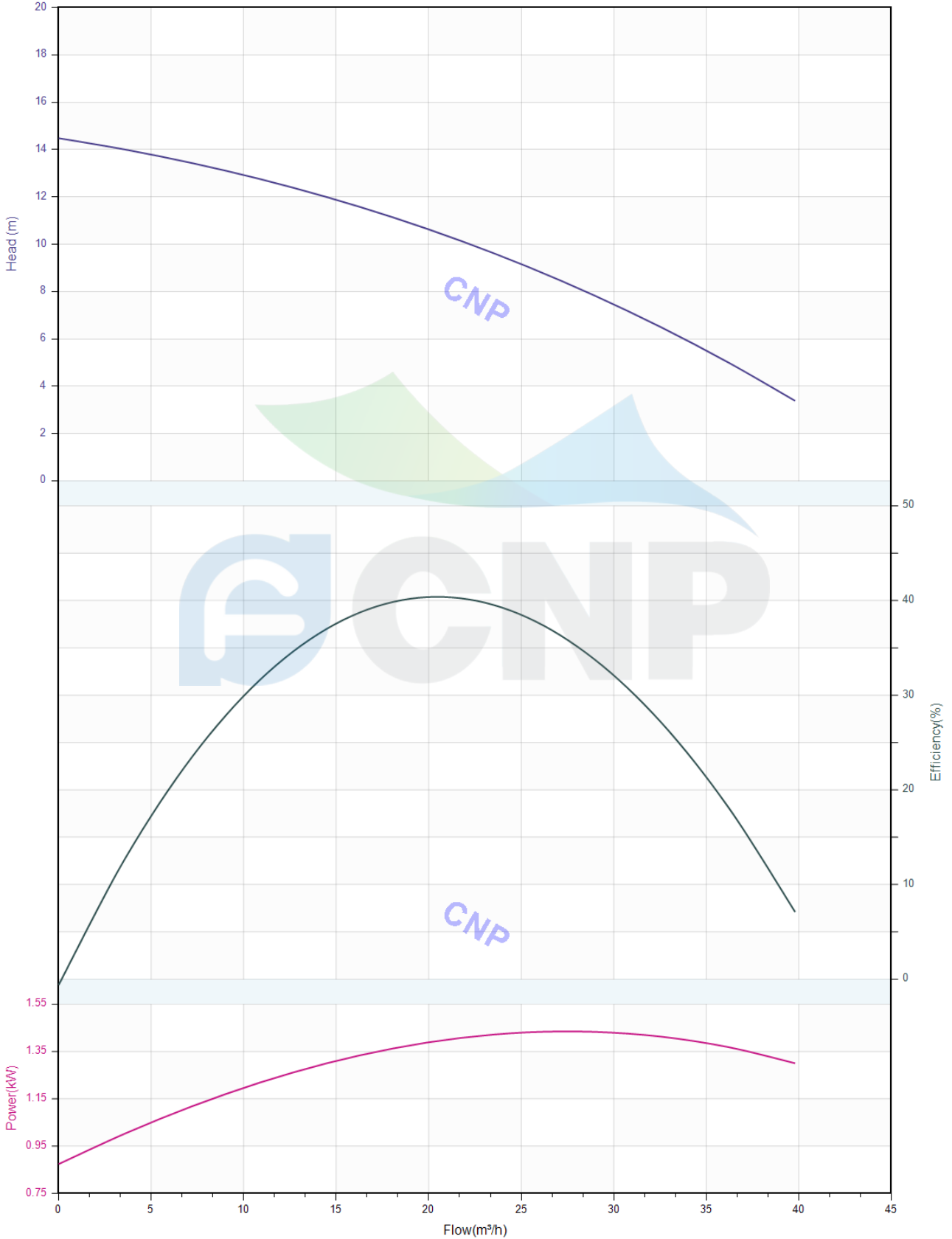
# Performance Curve 65WQX25-9-1.5

Manufacturer	CNP
Address	Yuhang District, Hangzhou,
Contact	86-571-88637351
Date	2022/03/09
Client Name	DPA
Client Addr.	
Contacts	Alireza
Contact	

Project Name

Station Number

Medium Name Clear Water , Temperature 20°C, Density 1000kg/m<sup>3</sup>, Viscosity 1mm<sup>2</sup>/s, (IS099062012 Grande 3B)





## Pump technical parameters 65WQX25-9-1.5

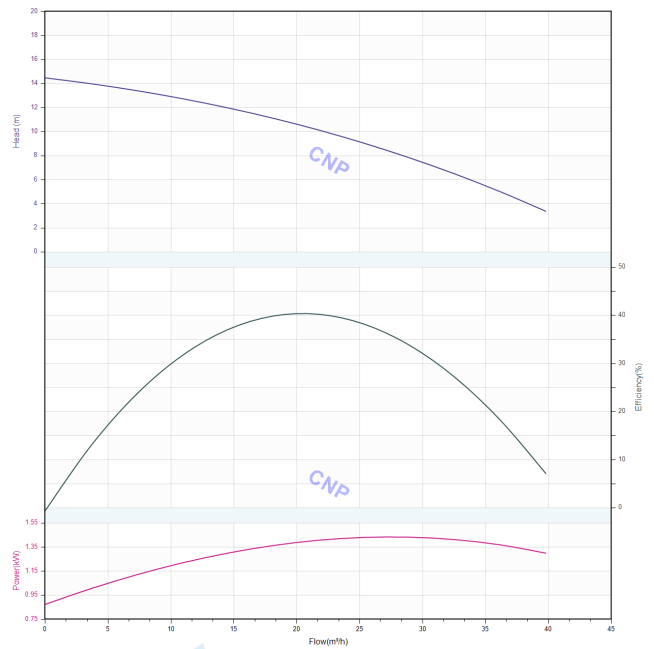
Manufacturer	CNP
Address	Yuhang District, Hangzhou,
Contact	86-571-88637351
Date	2022/03/09
Client Name	DPA
Client Addr.	
Contacts	Alireza
Contact	


### Rated parameters

Pump model	65WQX25-9-1.5
Product No.	65WQX25-9-1.5
Rated flow(m <sup>3</sup> /h)	25
Rated pressure(m)	9
Rated efficiency(%)	37.8
Power(kW)	1.43
Speed(rpm)	2880

### Medium

Medium Name	Clear Water
Working temperature(°C)	20
Medium density(kg/m <sup>3</sup> )	1000
Viscosity(mm <sup>2</sup> /s)	1



	<b>Structure picture</b> <b>65WQX25-9-1.5</b>	Manufacturer	CNP
		Address	Yuhang District, Hangzhou,
		Contact	86-571-88637351
		Date	2022/03/09
		Client Name	DPA
Project Name		Client Addr.	
Station Number		Contacts	Alireza
		Contact	

## CNP Nanfang Zhongjin Environment Co., Ltd.

SECTIONAL DRAWING		No.	No.
TYPE	submersible sewage pump	MODEL	WQ-1.5/2.2/3.0/4.0kW



order specifications						
No.	names of parts	number	material	No.	names of parts	number
1	cable	1	YZW	22	water inlet cover	1
3	cable cover	1	SUS304	20	casing	1
50	top cover	1	HT200	35	oil filler plug	1
52A	upper bearing	1		36	machine oil 32#	
58	cable transit board	1		60	lower cover	1
64	base	1	HT200	56	stator	1
52B	lower bearing	1		55	rotor	1
25	mechanical seal	1	Carbon/SIC	54	shaft	1
30	oil lift	1		53	thermal protector	1
26	framework oil seal	1	NBRI-2	72	eye bolt	2
93	guide hook	1	HT200	91	water outlet base	1
21	impeller	1	HT200	94	guiding	1
510	lift chain	1	SUS304	92	pipe	1

Nanfang Zhongjin Environment CO.,LTD.

unit : mm



## Installation picture

### 65WQX25-9-1.5

Manufacturer	CNP
Address	Yuhang District, Hangzhou,
Contact	86-571-88637351
Date	2022/03/09
Client Name	DPA
Client Addr.	
Contacts	Alireza
Contact	

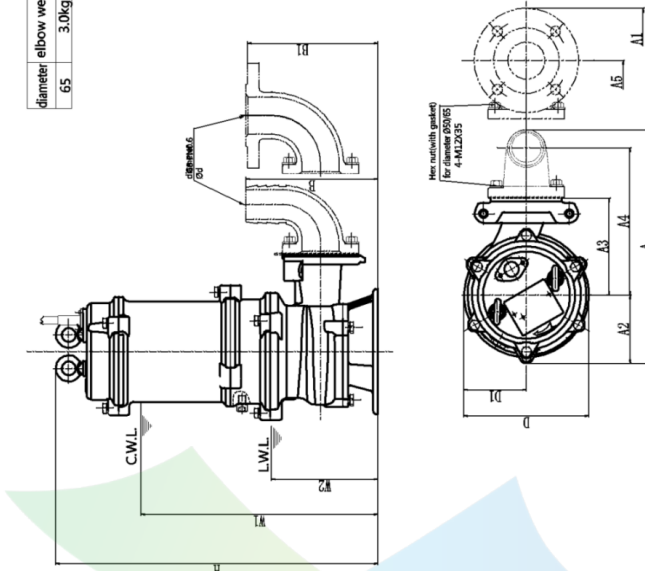
Project Name

Station Number

**CNP Nanfang Zhongjin Environment Co., Ltd.**

DIMENSION DRAWING		No.													
TYPE submersible sewage pump		MODEL	65WQX25-9-1.5												
MODEL	d	A	A1	A2	A3	A4	A5	B	B1	D	D1	W1	W2	H	Body weight
65WQX25-9-1.5	65	369	442	114	150	223	248	207	207	201	100	350	170	488	37kg

diameter	elbow weight	bend weight
65	3.0kg	5.5kg



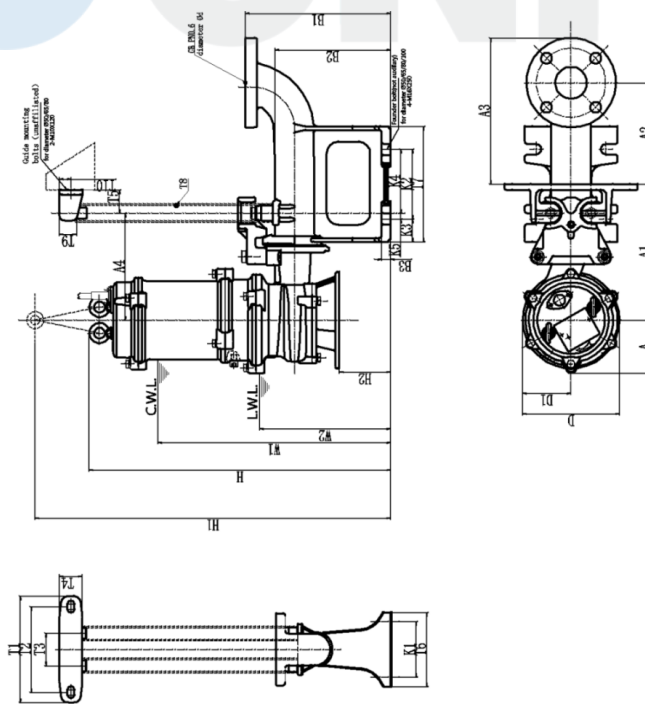
C.W.L. : minimum water level under continuous operation  
L.W.L. : minimum water level under possible operation

unit : mm

Nanfang Zhongjin Environment CO.,LTD.

**CNP Nanfang Zhongjin Environment Co., Ltd.**

DIMENSION DRAWING		No.																		
TYPE submersible sewage pump		MODEL	65WQX25-9-1.5																	
MODEL	A	A1	A2	A3	A4	D	D1	W1	W2	H	H1	H2	Body weight							
65WQX25-9-1.5	114	270	130	210	210	201	100	430	240	576	976	88	37kg							
Outer diameter	d	W1	W2	H	H1	H2	B1	B2	B3	B4	B5	B6	Coupling weight							
65WQX25-9-1.5	65	230	195	80	50	60	130	220	125	43x3.5	31	25	140	140	125	15	270	220	15	19kg



C.W.L. : minimum water level under continuous operation  
L.W.L. : minimum water level under possible operation

unit : mm

Nanfang Zhongjin Environment CO.,LTD.