
	<b>Product Information</b> <b>65WQ40-50-11(I)</b>	Manufacturer	CNP
		Address	Yuhang District, Hangzhou, Zhejiang,
<b>Project Name</b>		Contact	86-571-88637351
		Date	2022/03/09
		Client Name	DPA
<b>Item NO</b>		Client Addr.	
		Contacts	Alireza
		Contact	

Part NO.	65WQ40-50-11(I)		
Product Picture	Note		
	<p>The sewage submersible pump is composed of two parts: the motor and the pump.  The two are separated by an oil chamber and a mechanical seal assembly.  Divided into fixed automatic coupling installation and mobile installation</p>		

<b>technology</b>	
Pump rotator speed	2930
Nameplate standards	CE
<b>Material</b>	
Impeller	HT200
Pump shaft	20cr13
Rubber code	P
Pump case	HT200
<b>Installation</b>	
Connection Code	F
Maximum Pressure/Temperatu	6bar/40
Flange Standard	DIN
Pressure Class	PN6
<b>Medium</b>	
Medium Temperature	40
Maximum diameter of partic	22
Maximum Environment Temper	40
<b>Structure dimension</b>	
Standard caliber	DN
Outlet Diameter	DN65
<b>Motor</b>	
Number of Motor Phase	Three Phase
Protection Class	IP68
Insulation Class	F
Motor Power	11
Power Frequency	50HZ
Rated Voltage (V)	380V
Rated Current (A)	21.7
Starting mode	direct boot
<b>Seal</b>	
Mechanical Seal	H-30
<b>Others</b>	
Weight (kg)	95

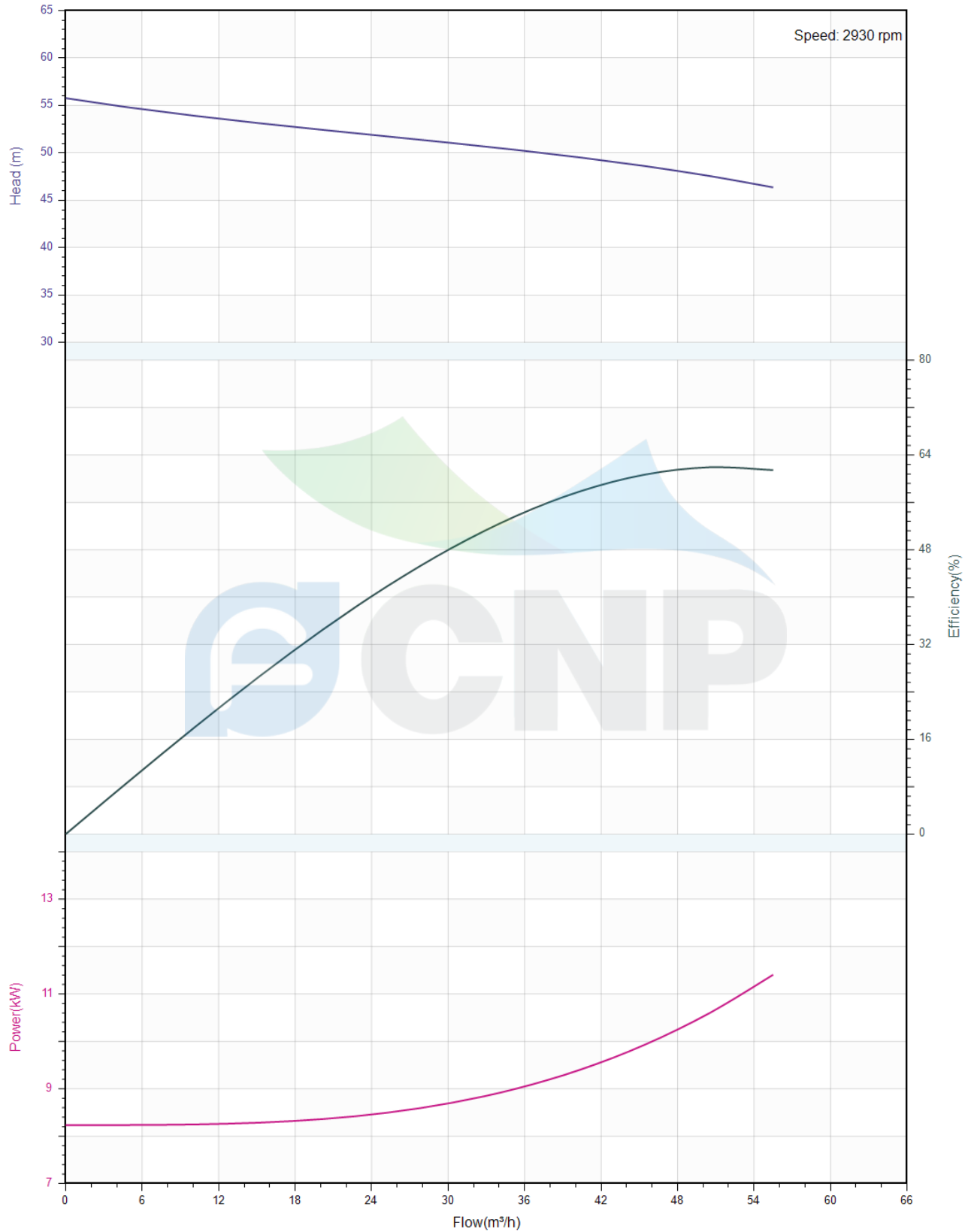


### Performance Curve 65WQ40-50-11(I)

Manufacturer	CNP
Address	Yuhang District, Hangzhou, Zhejiang,
Contact	86-571-88637351
Date	2022/03/09
Client Name	DPA
Client Addr.	
Contacts	Alireza
Contact	

Project Name	
Item NO	

The hydraulic performance curve have been tested with Clean Water at 20°C, density 1000kg/m<sup>3</sup>, and at 1bar atmospheric pressure. ISO99062012 Grade 3B





## Pump Technical Parameters 65WQ40-50-11(I)

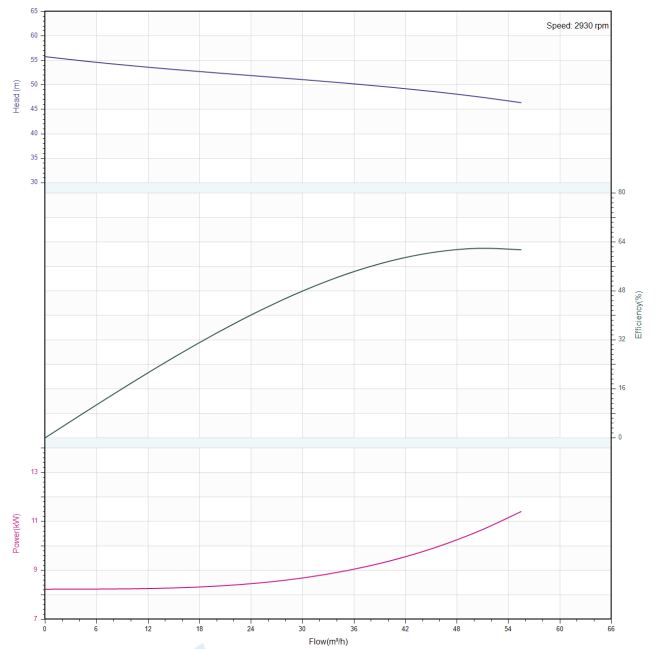
Manufacturer	CNP
Address	Yuhang District, Hangzhou, Zhejiang,
Contact	86-571-88637351
Date	2022/03/09
Client Name	DPA
Client Addr.	
Contacts	Alireza
Contact	


### Rated parameters

Pump model	65WQ40-50-11(I)
Part NO.	65WQ40-50-11(I)
Rated flow (m <sup>3</sup> /h)	40
Rated head (m)	50
Rated efficiency (%)	57.5
Power (kW)	9.376
Speed (rpm)	2930

### Medium

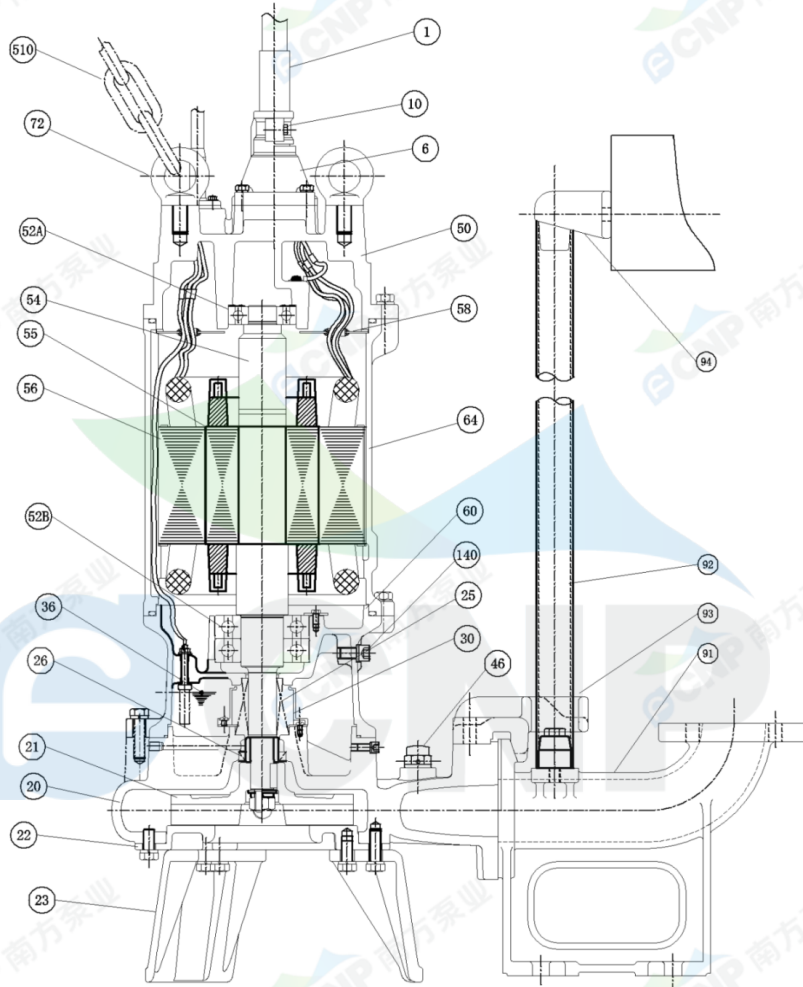
Pumped medium	Clean Water
Working temperature (°C)	20
Medium density (kg/m <sup>3</sup> )	1000
Viscosity (mm <sup>2</sup> /s)	1



	<b>Structure picture</b> <b>65WQ40-50-11(I)</b>	Manufacturer	CNP
		Address	Yuhang District, Hangzhou, Zhejiang,
Project Name		Contact	86-571-88637351
		Date	2022/03/09
Item NO		Client Name	DPA
		Client Addr.	
		Contacts	Alireza
		Contact	

## CNP Nanfang Zhongjin Environment Co., Ltd.

	SECTIONAL DRAWING	No.	No.
TYPE	submersible sewage pump	MODEL	WQ-11/15kW



order specifications			

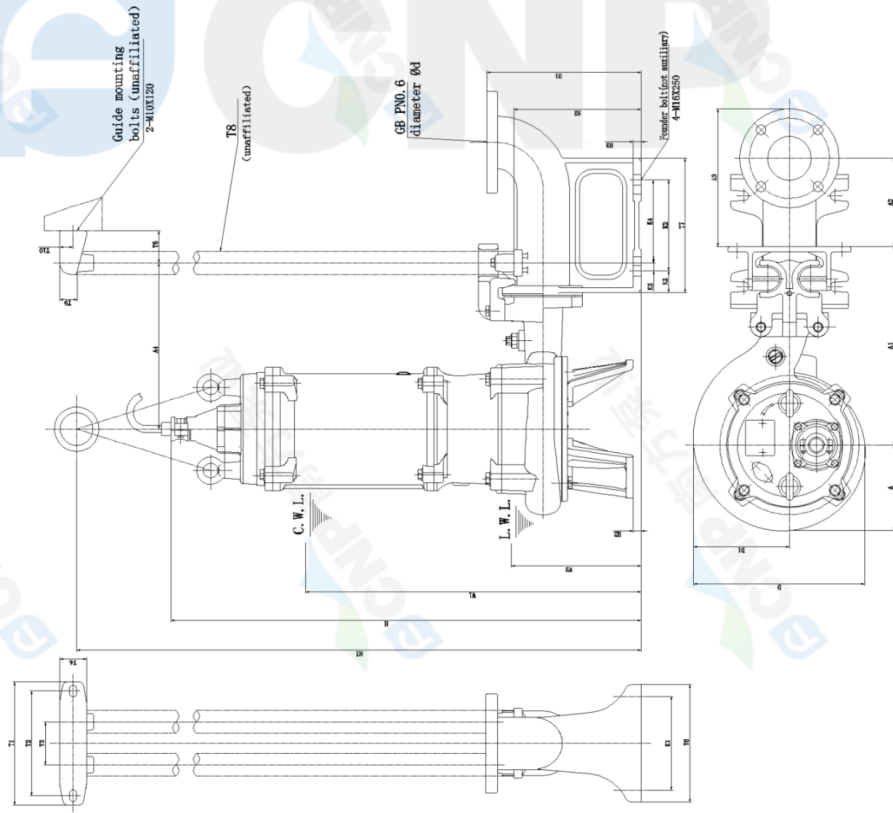
No.	names of parts	number	material	No.	names of parts	number	material
1	cable	1	YZW	20	casing	1	HT200
6	cable sleeve	1	HT200	21	impeller	1	HT200
50	top cover	1	HT200	26	framework oil seal	1	NBR-2
58	cable transit board	1	Q235	140	oil filler plug	2	SUS304
64	base	1	HT200	36	machine oil 32#		
25	mechanical seal	1	Carbon/SIC	52B	lower bearing	2	
60	lower cover	1	HT200	56	stator	1	
30	oil lift	1		55	rotor	1	
46	Air release bolt	1		54	shaft	1	
94	guiding	1	HT200	52A	upper bearing	1	
92	pipe	1	SUS304(unaffiliated)	72	eye bolt	2	SUS304
93	guide hook	1	HT200	510	lift chain	1	45#(forging galvanized)
91	water outlet base	1	HT200	23	foot bracket	3	HT200
22	water inlet cover	1	HT200	10	Cable lockblock	2	HT200

Nanfang Zhongjin Environment CO.,LTD.

unit : mm

**CNP** Nanfang Zhongjin Environment Co., Ltd.

DIMENSION DRAWING		No.		MODEL 65WQ40-50-11															
TYPE submersible sewage pump		No.		MODEL 65WQ40-50-11															
MODEL	A	A1	A2	A3	A4	D	D1	D	D1	W1	W2	H	H1	H2	Body weight				
65WQ40-50-11	142	340	130	210	260	289	151	630	350	899	1299	125	95kg						
Outlet diameter	T1	T2	T3	T4	T5	T6	T7	T8	T9	T10	K1	K2	K3	K4	K5	B1	B2	B3	Compiling weight
65WQ40-50-11	65	230	195	80	50	60	190	220	1.25	1.25	1.40	140	40	125	15	268	220	15	19kg



C. W. L. :minimum water level under continuous operation  
 L. W. L. :minimum water level under possible operation  
 Nanfang Zhongjin Environment CO.,LTD. unit: mm



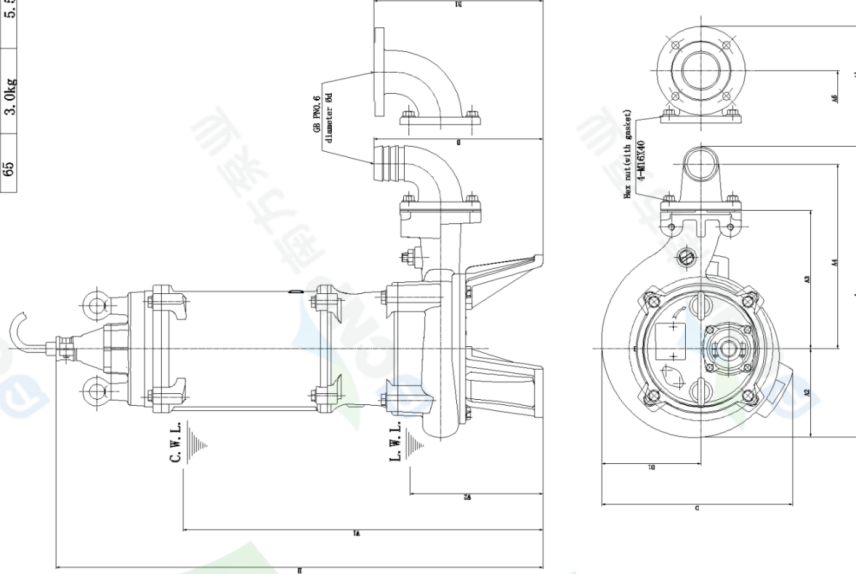
**Installation picture**  
**65WQ40-50-11(I)**

Manufacturer	CNP
Address	Yuhang District, Hangzhou, Zhejiang,
Contact	86-571-88637351
Date	2022/03/09
Client Name	DPA
Client Addr.	
Contacts	Alireza
Contact	

**CNP** Nanfang Zhongjin Environment Co., Ltd.

DIMENSION DRAWING		No.		MODEL 65WQ40-50-11															
TYPE submersible sewage pump		No.		MODEL 65WQ40-50-11															
MODEL	d	A	A1	A2	A3	A4	A5	B	B1	D	D1	W1	W2	H	Body weight				
65WQ40-50-11	65	462	539	142	220	288	317	311	311	345	176	630	350	916	95kg				

diameter	65
elbow weight	3.0kg
bend weight	5.5kg



C. W. L. :minimum water level under continuous operation  
 L. W. L. :minimum water level under possible operation  
 Nanfang Zhongjin Environment CO.,LTD. unit: mm