




| | | | |
|--|---|--------------|----------------------------|
|  | Product information 65WQ25-10-1.5(I) | Manufacturer | CNP |
| | | Address | Yuhang District, Hangzhou, |
| Project Name | | Contact | 86-571-88637351 |
| | | Date | 2022/03/09 |
| Station Number | | Client Name | DPA |
| | | Client Addr. | |
| | | Contacts | Alireza |
| | | Contact | |

| | |
|-------------|------------------|
| Product No. | 65WQ25-10-1.5(I) |
|-------------|------------------|

| | |
|---|--|
| Product picture(Note:the picture may not be the same as the | Series description |
|  | Single channel or double channel impeller.Auto-coupling system on request. |

| | |
|-------------------------------|-------------|
| Performance Data | |
| Rated flow(m ³ /h) | 25 |
| Rated head(m) | 10 |
| Efficiency(%) | 54.7 |
| Rated power(kW)(kW) | 1.25 |
| Rate Speed(rpm) | 2850 |
| technology | |
| Pump rotator speed | 2850 |
| Nameplate standards | CE |
| Material | |
| Impeller | HT200 |
| Pump shaft | 20cr13 |
| Rubber code | P |
| Pump case | HT200 |
| Installation | |
| Connection Code | F |
| Maximum Pressure/Temperatu | 6bar/40 |
| Flange Standard | DIN |
| Pressure Class | PN6 |
| Medium | |
| Medium Temperature | 40 |
| Maximum diameter of partic | 28 |
| Maximum Environment Temper | 40 |
| Structure dimension | |
| Standard | DN |
| Outlet size | DN65 |
| Motor | |
| Number of Motor Phase | Three Phase |
| Protection Class | IP68 |
| Insulation Class | F |
| Motor Power | 1.5 |
| Power Frequency | 50HZ |
| Rated Voltage (V) | 380V |
| Rated Current (A) | 3.3 |

| | | | |
|--|---|--------------|----------------------------|
|  | Product information 65WQ25-10-1.5(I) | Manufacturer | CNP |
| | | Address | Yuhang District, Hangzhou, |
| | | Contact | 86-571-88637351 |
| | | Date | 2022/03/09 |
| Project Name | | Client Name | DPA |
| | | Client Addr. | |
| Station Number | | Contacts | Alireza |
| | | Contact | |

Starting mode direct boot

Seal

Mechanical Seal H-20

Others

Weight (kg) 30





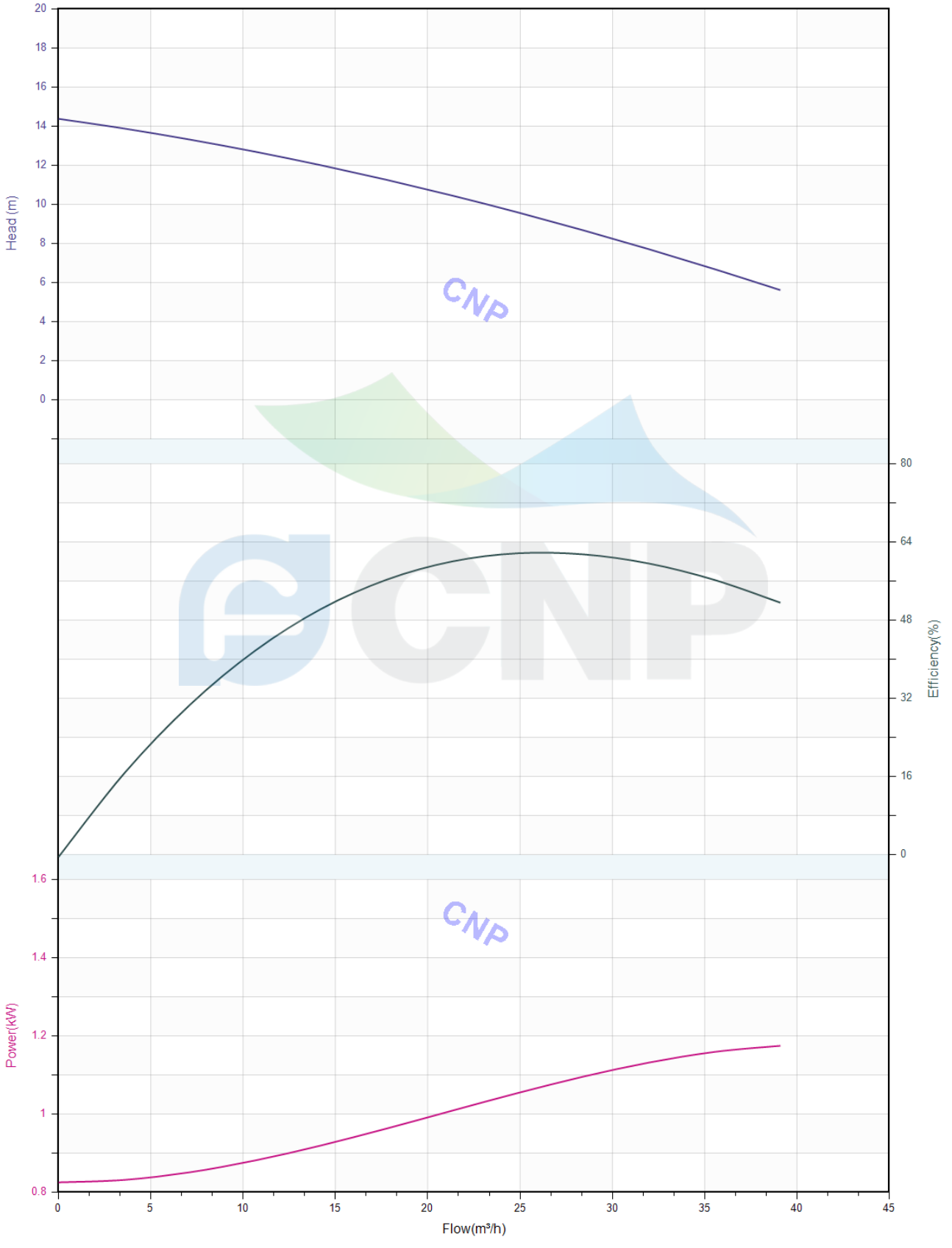
Performance Curve 65WQ25-10-1.5(I)


| | |
|--------------|----------------------------|
| Manufacturer | CNP |
| Address | Yuhang District, Hangzhou, |
| Contact | 86-571-88637351 |
| Date | 2022/03/09 |
| Client Name | DPA |
| Client Addr. | |
| Contacts | Alireza |
| Contact | |

Project Name

Station Number

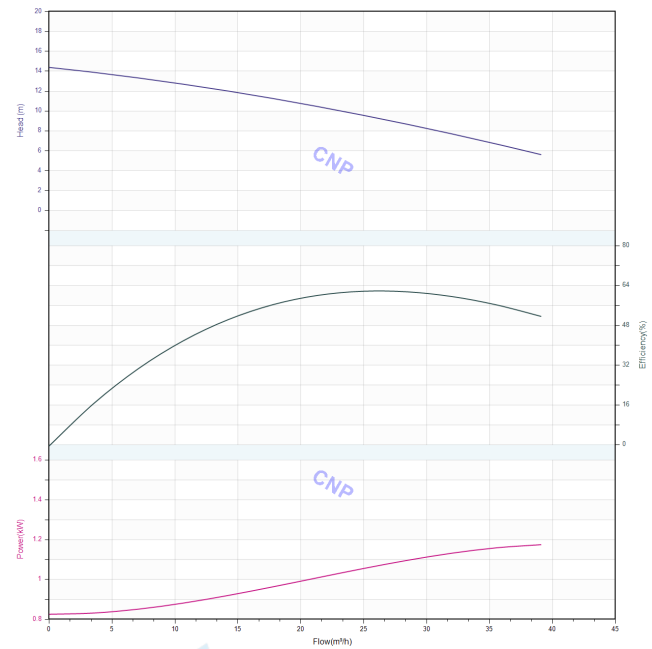
Medium Name Clear Water , Temperature 20°C, Density 1000kg/m³, Viscosity 1mm²/s, (ISO99062012 Grande 3B)




| | | | |
|--|---|--------------|----------------------------|
|  | Pump technical parameters 65WQ25-10-1.5(I) | Manufacturer | CNP |
| | | Address | Yuhang District, Hangzhou, |
| Project Name | | Contact | 86-571-88637351 |
| | | Date | 2022/03/09 |
| Station Number | | Client Name | DPA |
| | | Client Addr. | |
| | | Contacts | Alireza |
| | | Contact | |

| Rated parameters | |
|-------------------------------|------------------|
| Pump model | 65WQ25-10-1.5(I) |
| Product No. | 65WQ25-10-1.5(I) |
| Rated flow(m ³ /h) | 25 |
| Rated pressure(m) | 10 |
| Rated efficiency(%) | 54.7 |
| Power(kW) | 1.25 |
| Speed(rpm) | 2850 |

| Medium | |
|------------------------------------|-------------|
| Medium Name | Clear Water |
| Working temperature(°C) | 20 |
| Medium density(kg/m ³) | 1000 |
| Viscosity(mm ² /s) | 1 |



| | | | |
|--|---|--------------|----------------------------|
|  | Structure picture 65WQ25-10-1.5(I) | Manufacturer | CNP |
| | | Address | Yuhang District, Hangzhou, |
| | | Contact | 86-571-88637351 |
| | | Date | 2022/03/09 |
| | | Client Name | DPA |
| Project Name | | Client Addr. | |
| Station Number | | Contacts | Alireza |
| | | Contact | |

CNP Nanfang Zhongjin Environment Co., Ltd.

| | | | |
|------|--------------------------|-------|----------------------|
| | SECTIONAL DRAWING | No. | No. |
| TYPE | submersible sewage pump | MODEL | WQ-1.5/2.2/3.0/4.0kW |



| |
|----------------------|
| order specifications |
| |

| No. | names of parts | number | material | No. | names of parts | number | material |
|-----|---------------------|--------|------------|-----|-------------------|--------|-------------------------|
| 1 | cable | 1 | YZW | 22 | water inlet cover | 1 | HT200 |
| 3 | cable cover | 1 | SUS304 | 20 | casing | 1 | HT200 |
| 50 | top cover | 1 | HT200 | 35 | oil filler plug | 1 | SUS304 |
| 52A | upper bearing | 1 | | 36 | machine oil 32# | | |
| 58 | cable transit board | 1 | | 60 | lower cover | 1 | HT200 |
| 64 | base | 1 | HT200 | 56 | stator | 1 | |
| 52B | lower bearing | 1 | | 55 | rotor | 1 | |
| 25 | mechanical seal | 1 | Carbon/SIC | 54 | shaft | 1 | |
| 30 | oil lift | 1 | | 53 | thermal protector | 1 | |
| 26 | framework oil seal | 1 | NBRI-2 | 72 | eye bolt | 2 | 45#(forging galvanized) |
| 93 | guide hook | 1 | HT200 | 91 | water outlet base | 1 | HT200 |
| 21 | impeller | 1 | HT200 | 94 | guiding | 1 | HT200 |
| 510 | lift chain | 1 | SUS304 | 92 | pipe | 1 | SUS304(unaffiliated) |

Nanfang Zhongjin Environment CO.,LTD.

unit : mm



Installation picture 65WQ25-10-1.5(I)

| | |
|--------------|----------------------------|
| Manufacturer | CNP |
| Address | Yuhang District, Hangzhou, |
| Contact | 86-571-88637351 |
| Date | 2022/03/09 |
| Client Name | DPA |
| Client Addr. | |
| Contacts | Alireza |
| Contact | |

Project Name

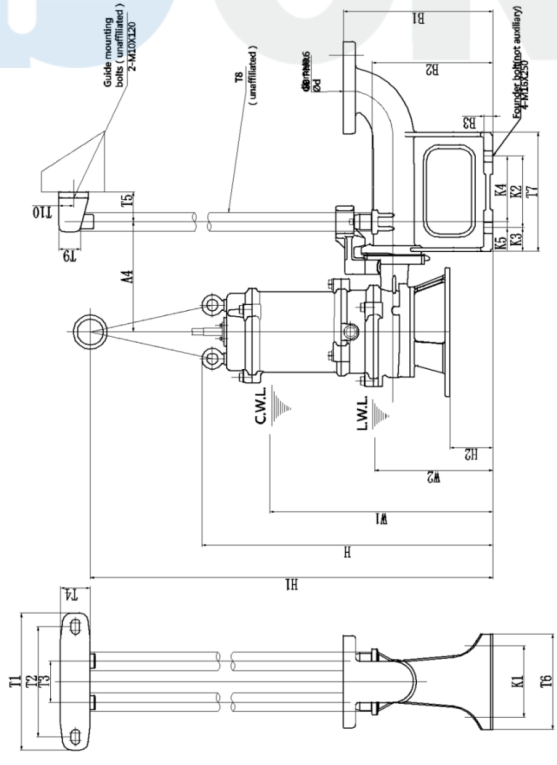
Station Number

CNP Nanfang Zhongjin Environment Co., Ltd.

| | | | |
|------------------------------|--|-------|---------------|
| DIMENSION DRAWING | | No. | No. |
| TYPE submersible sewage pump | | MODEL | 65WQ25-10-1.5 |

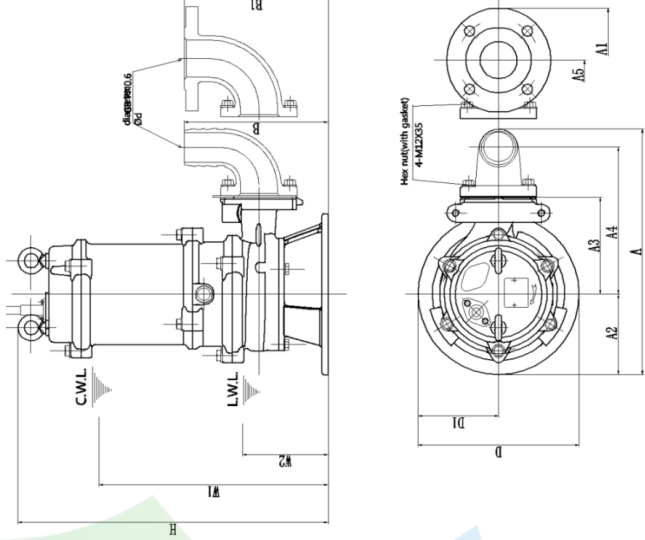
| MODEL | d | A | A1 | A2 | A3 | A4 | A5 | B | B1 | D | D1 | W1 | W2 | H | Body weight |
|-------------|----|-----|-----|-----|-----|-----|-----|-----|-----|-----|-----|-----|-----|-----|-------------|
| WQ25-10-1.5 | 65 | 280 | 340 | 121 | 165 | 248 | 260 | 230 | 230 | 242 | 121 | 340 | 150 | 480 | 37kg |

| | |
|--------------|-------|
| diameter | 65 |
| elbow weight | 3.0kg |
| bend weight | 5.5kg |



C.W.L.: minimum water level under continuous operation
L.W.L.: minimum water level under possible operation

Nanfang Zhongjin Environment CO.,LTD. unit : mm



C.W.L.: minimum water level under continuous operation
L.W.L.: minimum water level under possible operation

Nanfang Zhongjin Environment CO.,LTD. unit : mm