

	<b>Product information</b> <b>65WQ20-60-11(I)</b>	Manufacturer	CNP
		Address	Yuhang District, Hangzhou,
<b>Project Name</b>		Contact	86-571-88637351
		Date	2022/03/09
<b>Station Number</b>		Client Name	DPA
		Client Addr.	
		Contacts	Alireza
		Contact	

Product No.	65WQ20-60-11(I)
-------------	-----------------

Product picture(Note:the picture may not be the same as the	Series description
	Single channel or double channel impeller.Auto-coupling system on request.

<b>Performance Data</b>	
Rated flow(m <sup>3</sup> /h)	20
Rated head(m)	60
Efficiency(%)	43.7
Rated power(kW)(kW)	10.036
Rate Speed(rpm)	2930
<b>technology</b>	
Pump rotator speed	2930
Nameplate standards	CE
<b>Material</b>	
Impeller	HT200
Pump shaft	20cr13
Rubber code	P
Pump case	HT200
<b>Installation</b>	
Connection Code	F
Maximum Pressure/Temperatu	6bar/40
Flange Standard	DIN
Pressure Class	PN6
<b>Medium</b>	
Medium Temperature	40
Maximum diameter of partic	22
Maximum Environment Temper	40
<b>Structure dimension</b>	
Standard	DN
Outlet size	DN65
<b>Motor</b>	
Number of Motor Phase	Three Phase
Protection Class	IP68
Insulation Class	F
Motor Power	11
Power Frequency	50HZ
Rated Voltage (V)	380V
Rated Current (A)	21.7

	<b>Product information</b> <b>65WQ20-60-11(I)</b>	Manufacturer	CNP
		Address	Yuhang District, Hangzhou,
		Contact	86-571-88637351
		Date	2022/03/09
<b>Project Name</b>		Client Name	DPA
		Client Addr.	
<b>Station Number</b>		Contacts	Alireza
		Contact	

Starting mode                      direct boot

**Seal**

Mechanical Seal                      H-30

**Others**

Weight (kg)                              95





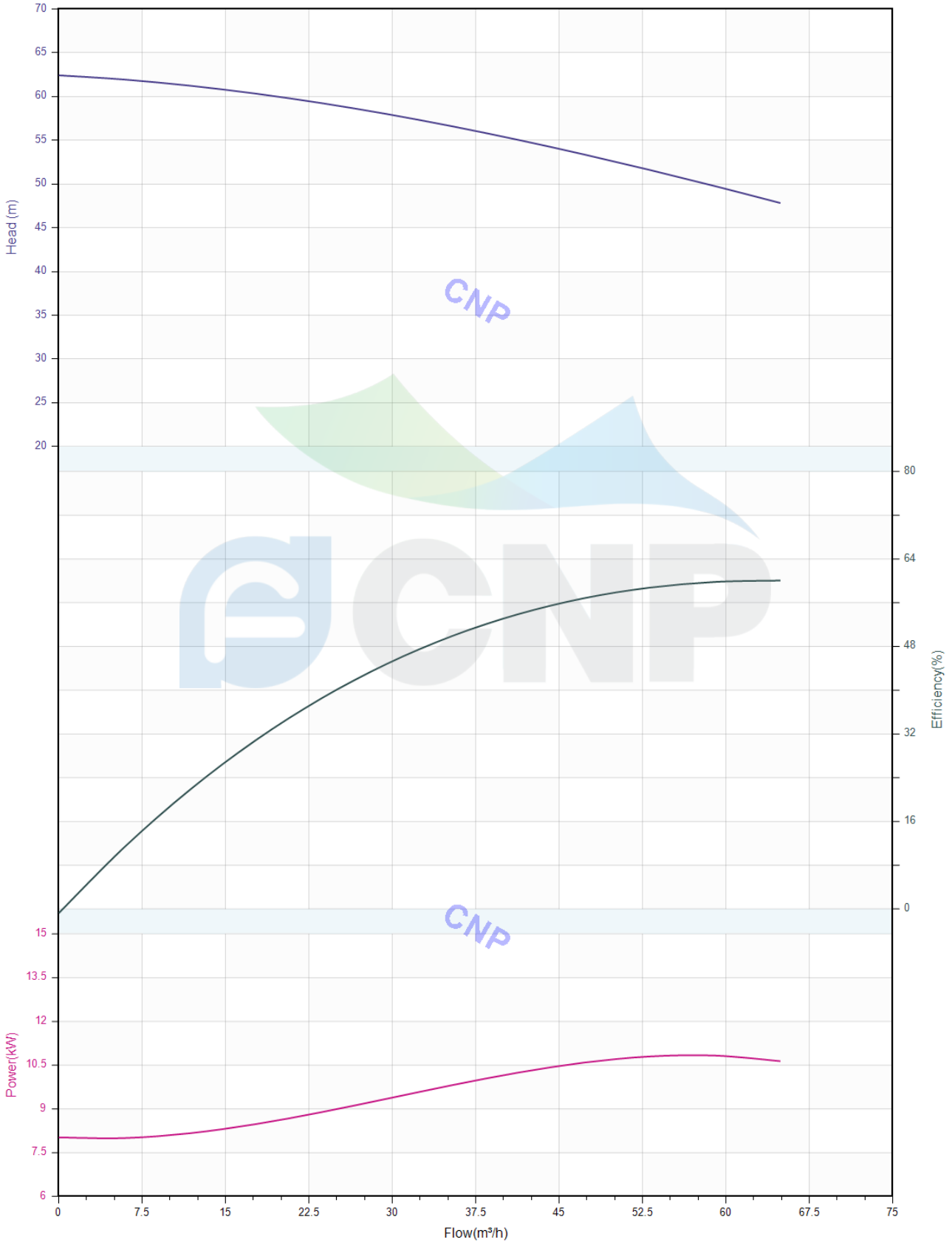
### Performance Curve 65WQ20-60-11(I)

Manufacturer	CNP
Address	Yuhang District, Hangzhou,
Contact	86-571-88637351
Date	2022/03/09
Client Name	DPA
Client Addr.	
Contacts	Alireza
Contact	

Project Name

Station Number

Medium Name Clear Water , Temperature 20°C, Density 1000kg/m<sup>3</sup>, Viscosity 1mm<sup>2</sup>/s, (ISO99062012 Grande 3B)





### Pump technical parameters 65WQ20-60-11(I)

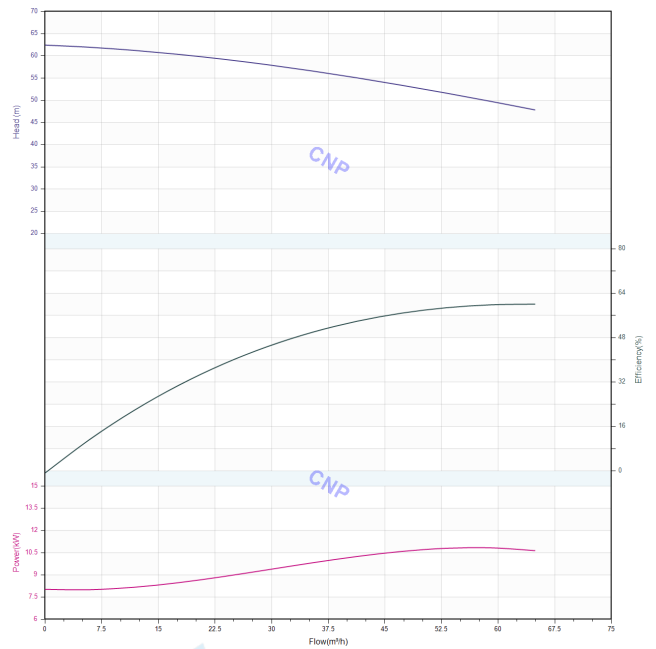
Manufacturer	CNP
Address	Yuhang District, Hangzhou,
Contact	86-571-88637351
Date	2022/03/09
Client Name	DPA
Client Addr.	
Contacts	Alireza
Contact	


#### Rated parameters

Pump model	65WQ20-60-11(I)
Product No.	65WQ20-60-11(I)
Rated flow(m <sup>3</sup> /h)	20
Rated pressure(m)	60
Rated efficiency(%)	43.7
Power(kW)	10.036
Speed(rpm)	2930

#### Medium

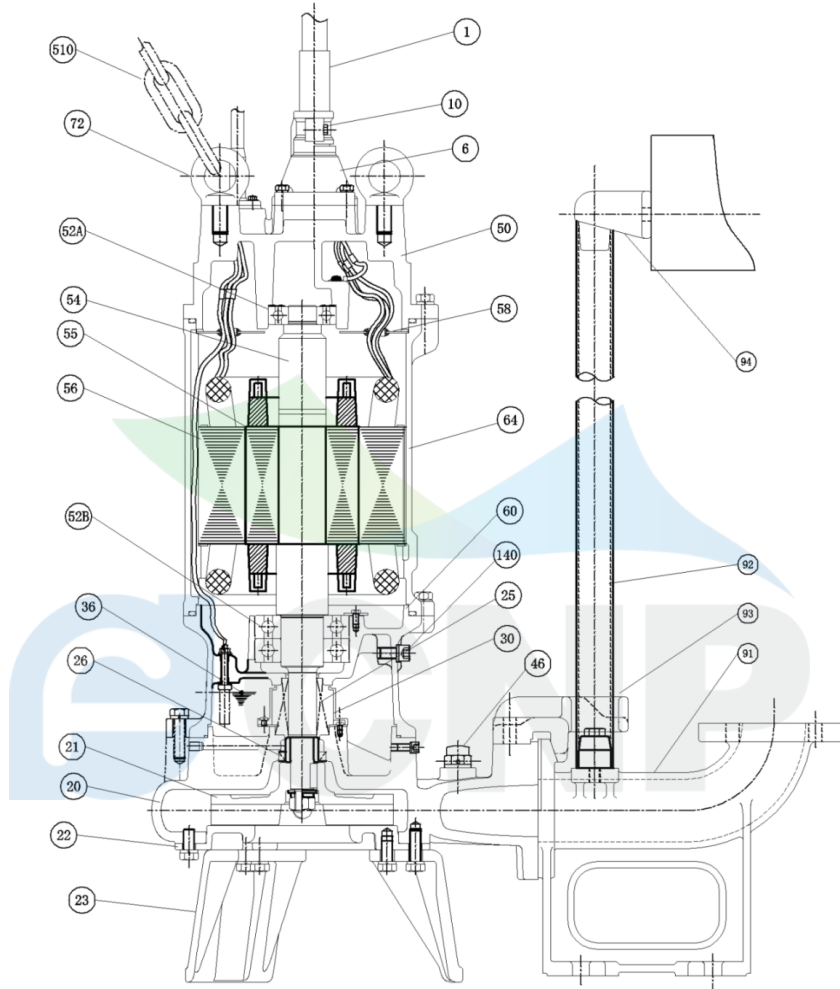
Medium Name	Clear Water
Working temperature(°C)	20
Medium density(kg/m <sup>3</sup> )	1000
Viscosity(mm <sup>2</sup> /s)	1



	<b>Structure picture</b> <b>65WQ20-60-11(I)</b>	Manufacturer	CNP
		Address	Yuhang District, Hangzhou,
Project Name		Contact	86-571-88637351
		Date	2022/03/09
Station Number		Client Name	DPA
		Client Addr.	
		Contacts	Alireza
		Contact	

## CNP Nanfang Zhongjin Environment Co., Ltd.

	<b>SECTIONAL DRAWING</b>	No.	No.
TYPE	submersible sewage pump	MODEL	WQ-11/15kW



order specifications	

No.	names of parts	number	material	No.	names of parts	number	material
1	cable	1	YZW	20	casing	1	HT200
6	cable sleeve	1	HT200	21	impeller	1	HT200
50	top cover	1	HT200	26	framework oil seal	1	NBR-2
58	cable transit board	1	Q235	140	oil filler plug	2	SUS304
64	base	1	HT200	36	machine oil 32#		
25	mechanical seal	1	Carbon/SIC	52B	lower bearing	2	
60	lower cover	1	HT200	56	stator	1	
30	oil lift	1		55	rotor	1	
46	Air release bolt	1		54	shaft	1	
94	guiding	1	HT200	52A	upper bearing	1	
92	pipe	1	SUS304(unaffiliated)	72	eye bolt	2	SUS304
93	guide hook	1	HT200	510	lift chain	1	45#(forging galvanized)
91	water outlet base	1	HT200	23	foot bracket	3	HT200
22	water inlet cover	1	HT200	10	Cable lockblock	2	HT200

Nanfang Zhongjin Environment CO.,LTD.

unit : mm



## Installation picture 65WQ20-60-11(I)

Manufacturer	CNP
Address	Yuhang District, Hangzhou,
Contact	86-571-88637351
Date	2022/03/09
Client Name	DPA
Client Addr.	
Contacts	Alireza
Contact	

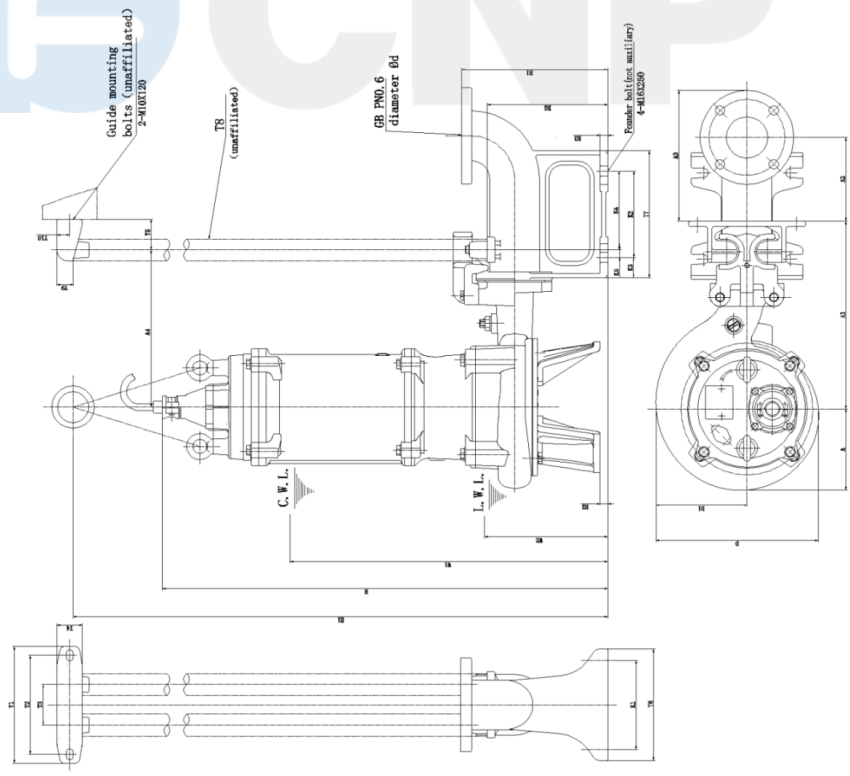
**Project Name**

**Station Number**

**CNP Nanfang Zhongjin Environment Co., Ltd.**

DIMENSION DRAWING		No.	No.												
TYPE submersible sewage pump		MODEL	65WQ20-60-11												
MODEL	d	A	A1	A2	A3	A4	A6	B	BI	D	DI	W1	W2	H	Body weight
65WQ20-60-11	65	462	539	142	220	288	317	311	311	345	175	630	350	916	95kg

elbow weight	3.0kg
body weight	5.5kg



C.W.L. : minimum water level under continuous operation  
L.W.L. : minimum water level under possible operation

unit: mm  
Nanfang Zhongjin Environment Co., LTD.

**CNP Nanfang Zhongjin Environment Co., Ltd.**

DIMENSION DRAWING		No.	No.																
TYPE submersible sewage pump		MODEL	65WQ20-60-11																
MODEL	A	A1	A2	A3	A4	D	DI	W1	W2	H	H1	H2	Body weight						
65WQ20-60-11	142	330	130	210	280	289	151	630	350	899	1299	125	95kg						
Outlet diameter	d	X1	X2	X3	X4	X5	X6	X7	X8	X9	X10	X11	Complete weight						
65WQ20-60-11	65	230	195	80	50	60	190	220	1.37/4x3.6	31	25	140	40	125	15	288	220	15	31kg

C.W.L. : minimum water level under continuous operation  
L.W.L. : minimum water level under possible operation

unit: mm  
Nanfang Zhongjin Environment Co., LTD.