
	Product information 50WQX10-8-0.75	Manufacturer	CNP
		Address	Yuhang District, Hangzhou,
Project Name		Contact	86-571-88637351
		Date	2022/03/09
Station Number		Client Name	DPA
		Client Addr.	
		Contacts	Alireza
		Contact	

Product No.	50WQX10-8-0.75
-------------	----------------

	Product picture(Note:the picture may not be the same as the Series description
	Single channel or double channel impeller.Auto-coupling system on request.

Performance Data

Rated flow(m ³ /h)	10
Rated head(m)	8
Efficiency(%)	36.5
Rated power(kW)(kW)	0.64
Rate Speed(rpm)	2850

technology

Pump rotator speed	2850
Nameplate standards	CE

Material

Impeller	HT200
Pump shaft	20cr13
Rubber code	P
Pump case	HT200

Installation

Connection Code	F
Maximum Pressure/Temperatu	6bar/40
Flange Standard	DIN
Pressure Class	PN6

Medium


Medium Temperature	40
Maximum diameter of partic	37
Maximum Environment Temper	40

Structure dimension

Standard	DN
Outlet size	DN50

Motor

Number of Motor Phase	Three Phase
Protection Class	IP68
Insulation Class	F
Motor Power	0.75
Power Frequency	50HZ
Rated Voltage (V)	380V
Rated Current (A)	1.8

	Product information 50WQX10-8-0.75	Manufacturer	CNP
		Address	Yuhang District, Hangzhou,
		Contact	86-571-88637351
		Date	2022/03/09
Project Name		Client Name	DPA
		Client Addr.	
Station Number		Contacts	Alireza
		Contact	

Starting mode direct boot


Seal

Mechanical Seal H-17

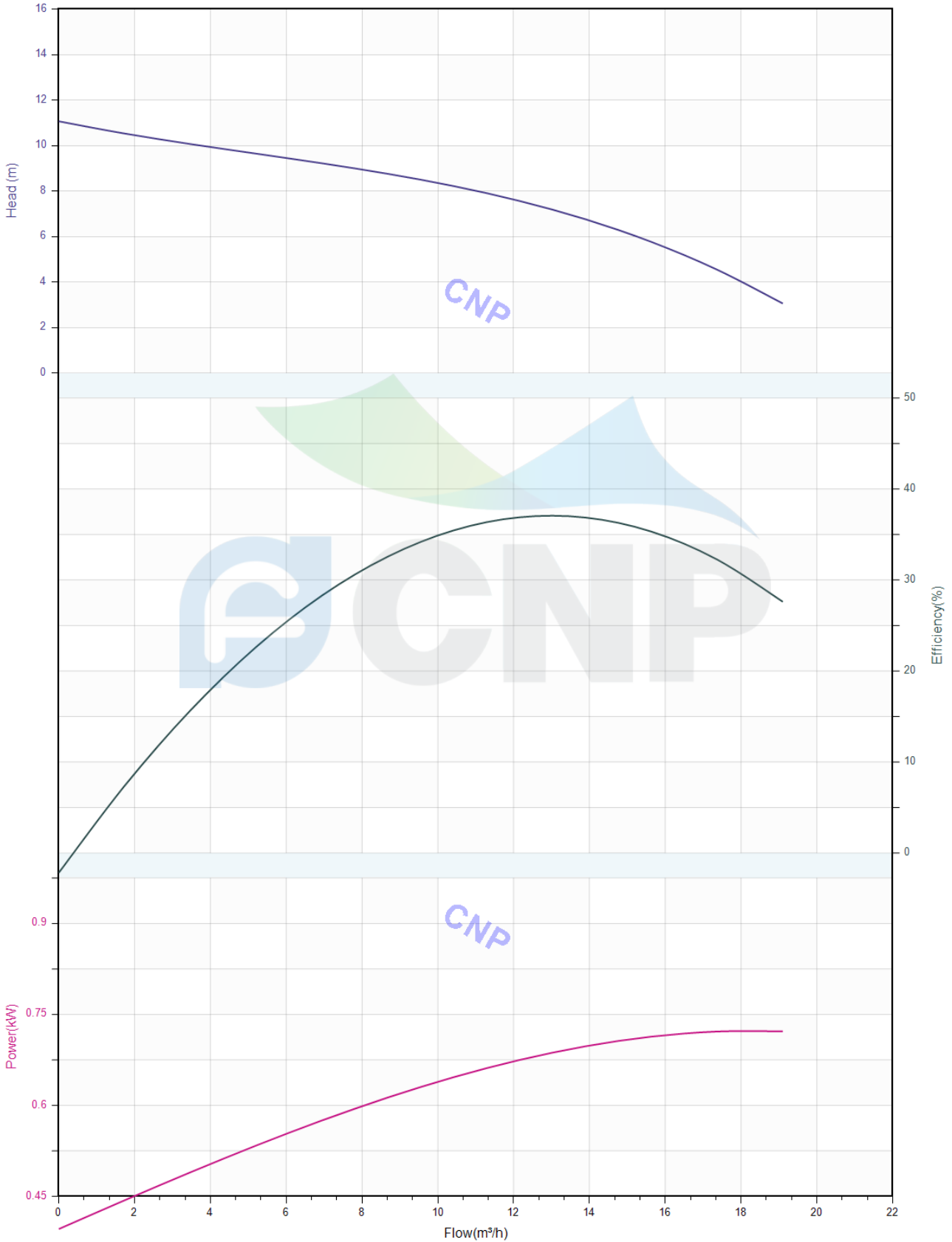
Others


Weight (kg) 23



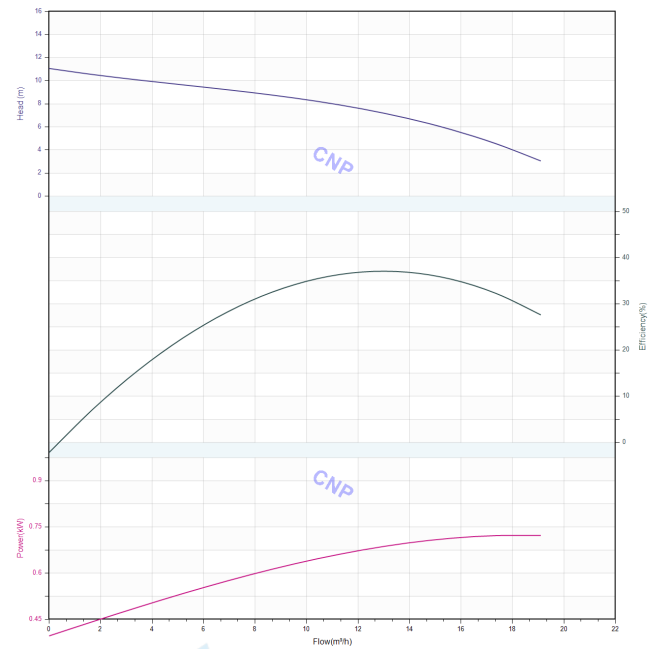
	Performance Curve 50WQX10-8-0.75	Manufacturer	CNP
		Address	Yuhang District, Hangzhou,
Project Name		Contact	86-571-88637351
		Date	2022/03/09
Station Number		Client Name	DPA
		Client Addr.	
		Contacts	Alireza
		Contact	


Medium Name Clear Water , Temperature 20°C, Density 1000kg/m³, Viscosity 1mm²/s, (ISO99062012 Grande 3B)



	Pump technical parameters 50WQX10-8-0.75	Manufacturer	CNP
		Address	Yuhang District, Hangzhou,
Project Name		Contact	86-571-88637351
		Date	2022/03/09
Station Number		Client Name	DPA
		Client Addr.	
		Contacts	Alireza
		Contact	

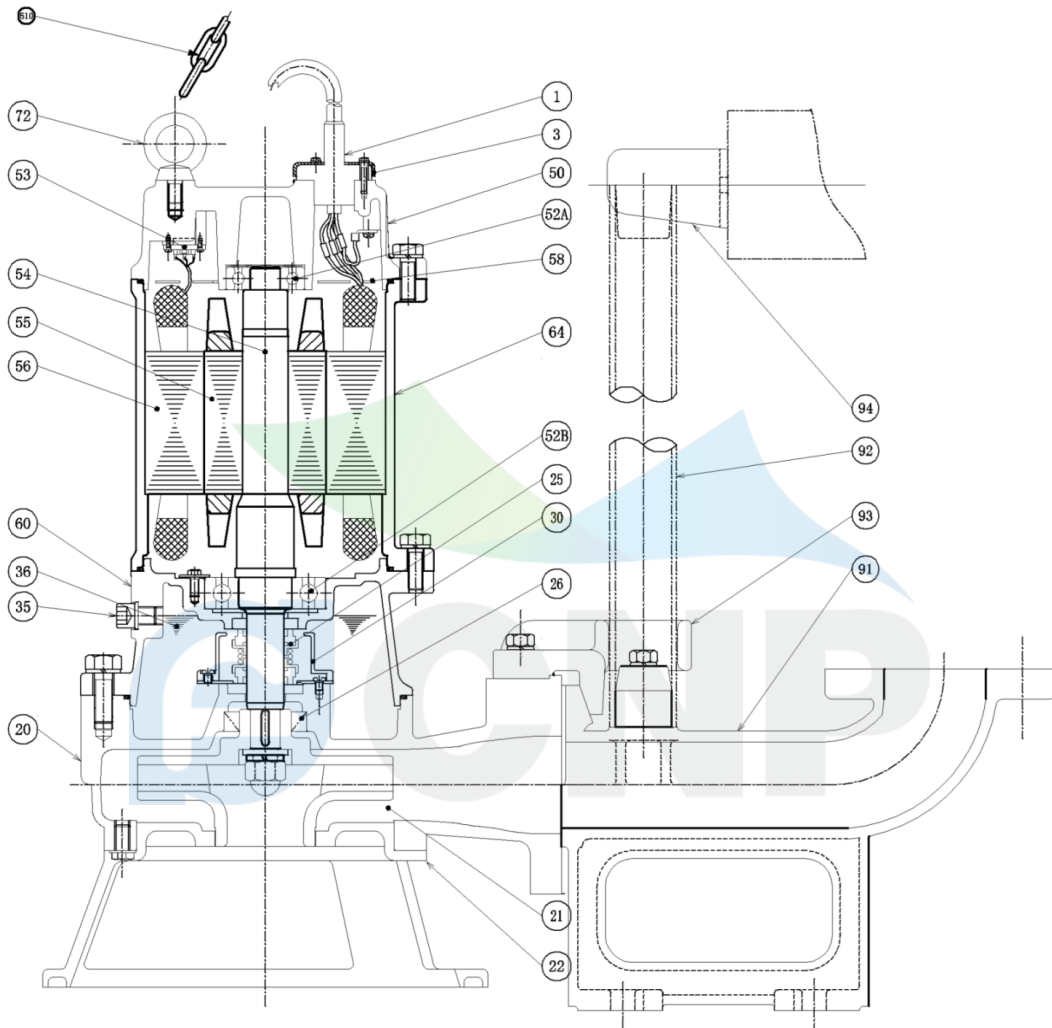
Rated parameters	
Pump model	50WQX10-8-0.75
Product No.	50WQX10-8-0.75
Rated flow(m ³ /h)	10
Rated pressure(m)	8
Rated efficiency(%)	36.5
Power(kW)	0.64
Speed(rpm)	2850
Medium	
Medium Name	Clear Water
Working temperature(°C)	20
Medium density(kg/m ³)	1000
Viscosity(mm ² /s)	1



	Structure picture 50WQX10-8-0.75	Manufacturer	CNP
		Address	Yuhang District, Hangzhou,
Project Name		Contact	86-571-88637351
		Date	2022/03/09
Station Number		Client Name	DPA
		Client Addr.	
		Contacts	Alireza
		Contact	

CNP Nanfang Zhongjin Environment Co., Ltd

STRUCTURE DRAWING		No.	No.
TYPE	submersible sewage pump	MODEL	WQ-0.55/0.75/1.1KW



order specifications							
No.	names of parts	number	material	No.	names of parts	number	material
1	cable	1	YZW	22	water inlet cover	1	HT200
3	cable cover	1	SUS304	20	casing	1	HT200
50	top cover	1	HT200	35	oil filler plug	1	SUS304
52A	upper bearing	1		36	machine oil 32#		
58	cable transit board	1	PPS	60	lower cover	1	HT200
64	base	1	HT200	56	stator	1	
52B	lower bearing	1		55	rotor	1	
25	mechanical seal	1	Carbon/SIC	54	shaft	1	
30	oil lift	1		53	thermal protector	1	
26	framework oil seal	1	NBRI-2	72	eye bolt	2	45#(forging galvanized)
93	guide hook	1	HT200	91	water outlet base	1	HT200
21	impeller	1	HT200	94	guiding	1	HT200
510		1	SUS304	92	pipe	1	SUS304(unaffiliated)

Nanfang Zhongjin Environment CO.,LTD.

unit : mm



Installation picture 50WQX10-8-0.75

Manufacturer	CNP
Address	Yuhang District, Hangzhou,
Contact	86-571-88637351
Date	2022/03/09
Client Name	DPA
Client Addr.	
Contacts	Alireza
Contact	

Project Name

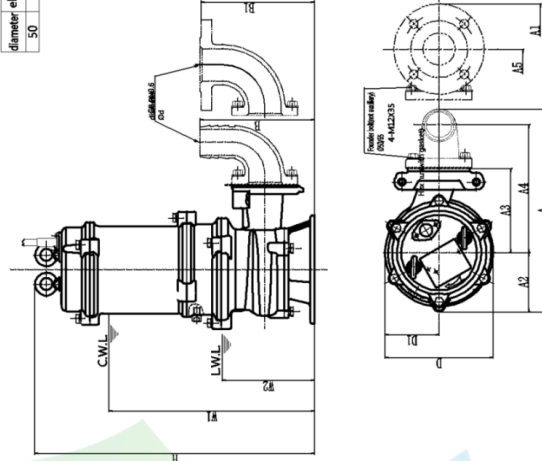
Station Number

CNP Nanfang Zhongjin Environment Co., Ltd.

DIMENSION DRAWING		No.	No.
TYPE submersible sewage pump		MODEL	50WQX10-8-0.75

MODEL	d	A	A1	A2	A3	A4	A5	B	B1	D	D1	W1	W2	H	Body weight
50WQX10-8-0.75	50	315	373	92	130	198	211	177	177	167	83.5	300	140	430	21kg

diameter	50
elbow weight	1.5kg
bend weight	3.5kg



C.W.L. : minimum water level under continuous operation
L.W.L. : minimum water level under possible operation

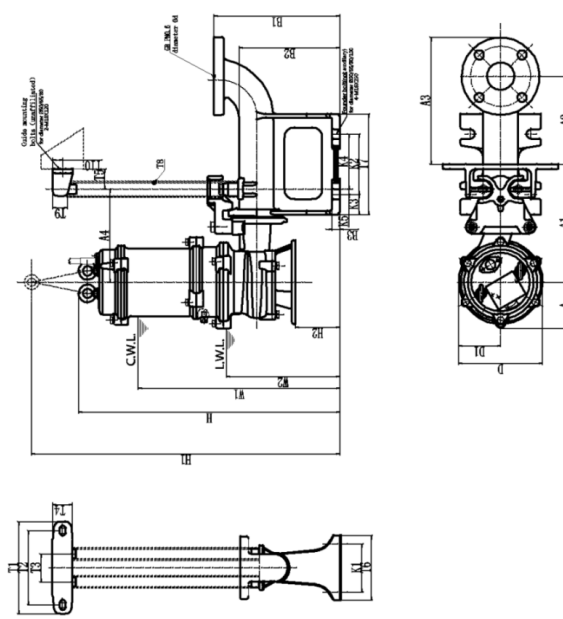
unit : mm

Nanfang Zhongjin Environment CO.,LTD.

CNP Nanfang Zhongjin Environment Co., Ltd.

DIMENSION DRAWING		No.	No.
TYPE submersible sewage pump		MODEL	50WQX10-8-0.75

MODEL	d	A	A1	A2	A3	A4	A5	B	B1	D	D1	W1	W2	H	H1	H2	Body weight
50WQX10-8-0.75	91.5	235	175	245	185	400	220	517	917	88	21kg						
	d	H1	H2	H3	H4	H5	H6	H7	H8	H9	H10	H11	H12	H13	H14	H15	Coasting weight
50WQX10-8-0.75	50	280	185	70	50	160	200	175	143.5	35	25	120	120	40	110	10	250,202.5
																	13.5kg



C.W.L. : minimum water level under continuous operation
L.W.L. : minimum water level under possible operation

unit : mm

Nanfang Zhongjin Environment CO.,LTD.