
	<b>Product information</b> <b>50WQ8-15-1.1(I)</b>	Manufacturer	CNP
		Address	Yuhang District, Hangzhou,
<b>Project Name</b>		Contact	86-571-88637351
		Date	2022/03/09
<b>Station Number</b>		Client Name	DPA
		Client Addr.	
		Contacts	Alireza
		Contact	

Product No.	50WQ8-15-1.1(I)
-------------	-----------------

Product picture(Note:the picture may not be the same as the	Series description
	Single channel or double channel impeller.Auto-coupling system on request.

<b>Performance Data</b>	
Rated flow(m <sup>3</sup> /h)	8
Rated head(m)	15
Efficiency(%)	36.4
Rated power(kW)(kW)	0.9
Rate Speed(rpm)	2850
<b>technology</b>	
Pump rotator speed	2850
Nameplate standards	CE
<b>Material</b>	
Impeller	HT200
Pump shaft	20cr13
Rubber code	P
Pump case	HT200
<b>Installation</b>	
Connection Code	F
Maximum Pressure/Temperatu	6bar/40
Flange Standard	DIN
Pressure Class	PN6
<b>Medium</b>	
Medium Temperature	40
Maximum diameter of partic	20
Maximum Environment Temper	40
<b>Structure dimension</b>	
Standard	DN
Outlet size	DN50
<b>Motor</b>	
Number of Motor Phase	Three Phase
Protection Class	IP68
Insulation Class	F
Motor Power	1.1
Power Frequency	50HZ
Rated Voltage (V)	380V
Rated Current (A)	2.6

	<b>Product information</b> <b>50WQ8-15-1.1(I)</b>	Manufacturer	CNP
		Address	Yuhang District, Hangzhou,
<b>Project Name</b>		Contact	86-571-88637351
		Date	2022/03/09
<b>Station Number</b>		Client Name	DPA
		Client Addr.	
		Contacts	Alireza
		Contact	

Starting mode                      direct boot

**Seal**

Mechanical Seal                      H-17

**Others**

Weight (kg)                              25.5





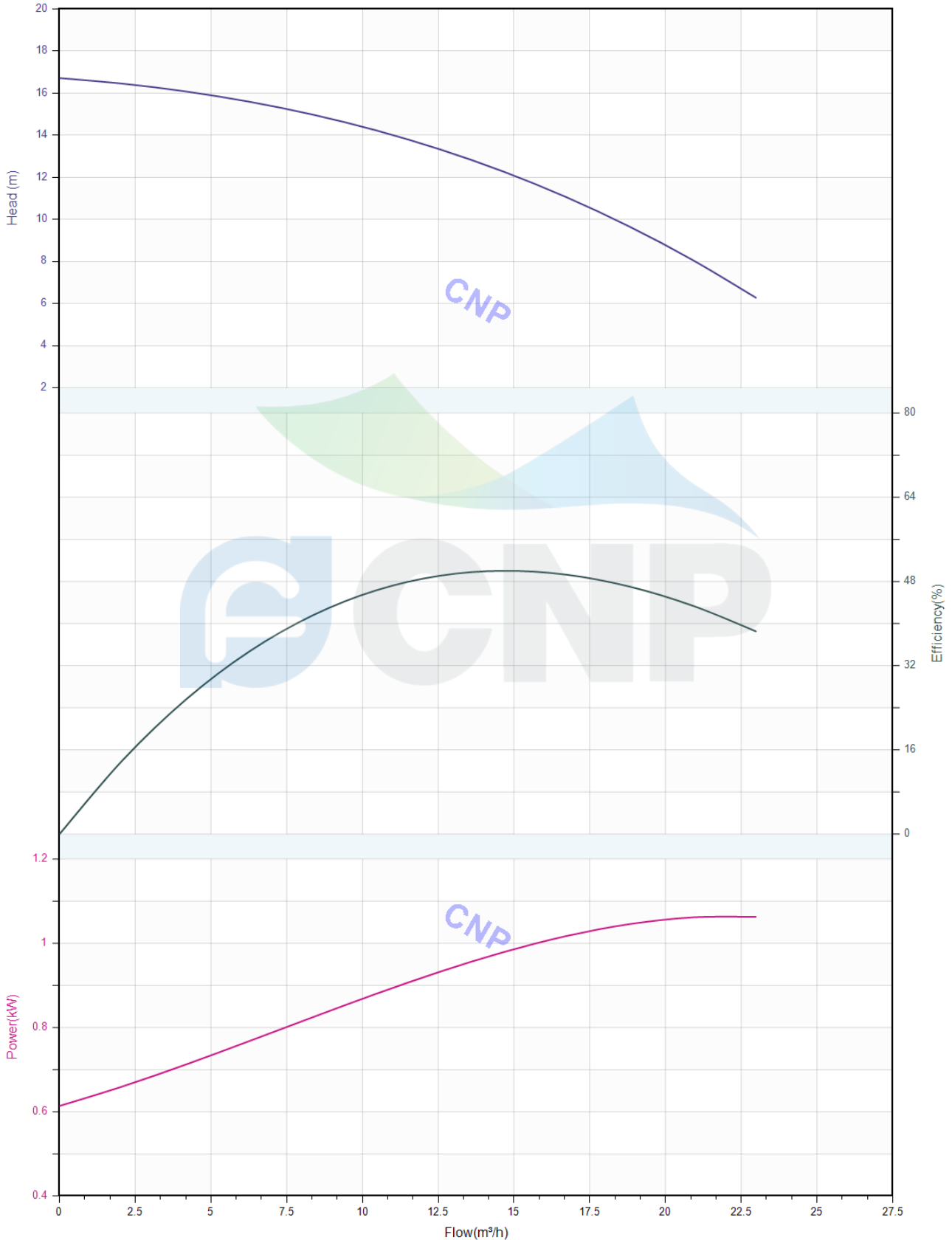
### Performance Curve 50WQ8-15-1.1(I)

Manufacturer	CNP
Address	Yuhang District, Hangzhou,
Contact	86-571-88637351
Date	2022/03/09
Client Name	DPA
Client Addr.	
Contacts	Alireza
Contact	

Project Name

Station Number

Medium Name Clear Water , Temperature 20°C, Density 1000kg/m<sup>3</sup>, Viscosity 1mm<sup>2</sup>/s, (ISO99062012 Grande 3B)





## Pump technical parameters 50WQ8-15-1.1(I)

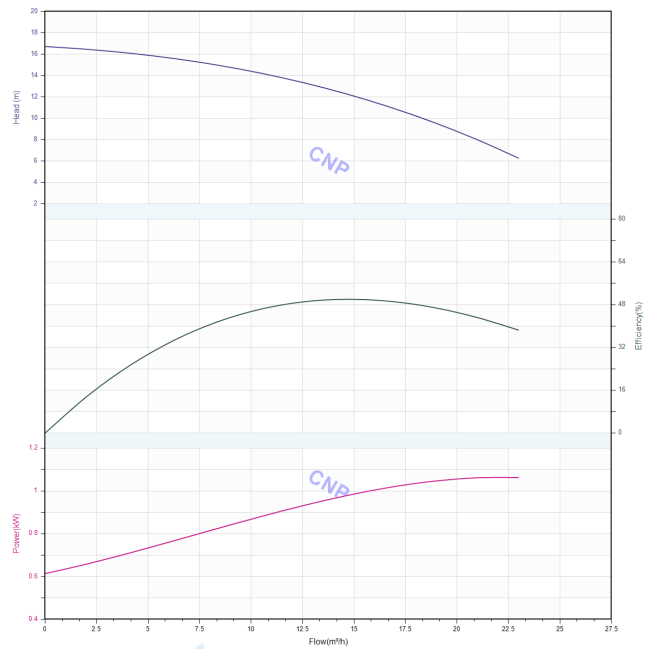
Manufacturer	CNP
Address	Yuhang District, Hangzhou,
Contact	86-571-88637351
Date	2022/03/09
Client Name	DPA
Client Addr.	
Contacts	Alireza
Contact	


### Rated parameters

Pump model	50WQ8-15-1.1(I)
Product No.	50WQ8-15-1.1(I)
Rated flow(m <sup>3</sup> /h)	8
Rated pressure(m)	15
Rated efficiency(%)	36.4
Power(kW)	0.9
Speed(rpm)	2850

### Medium

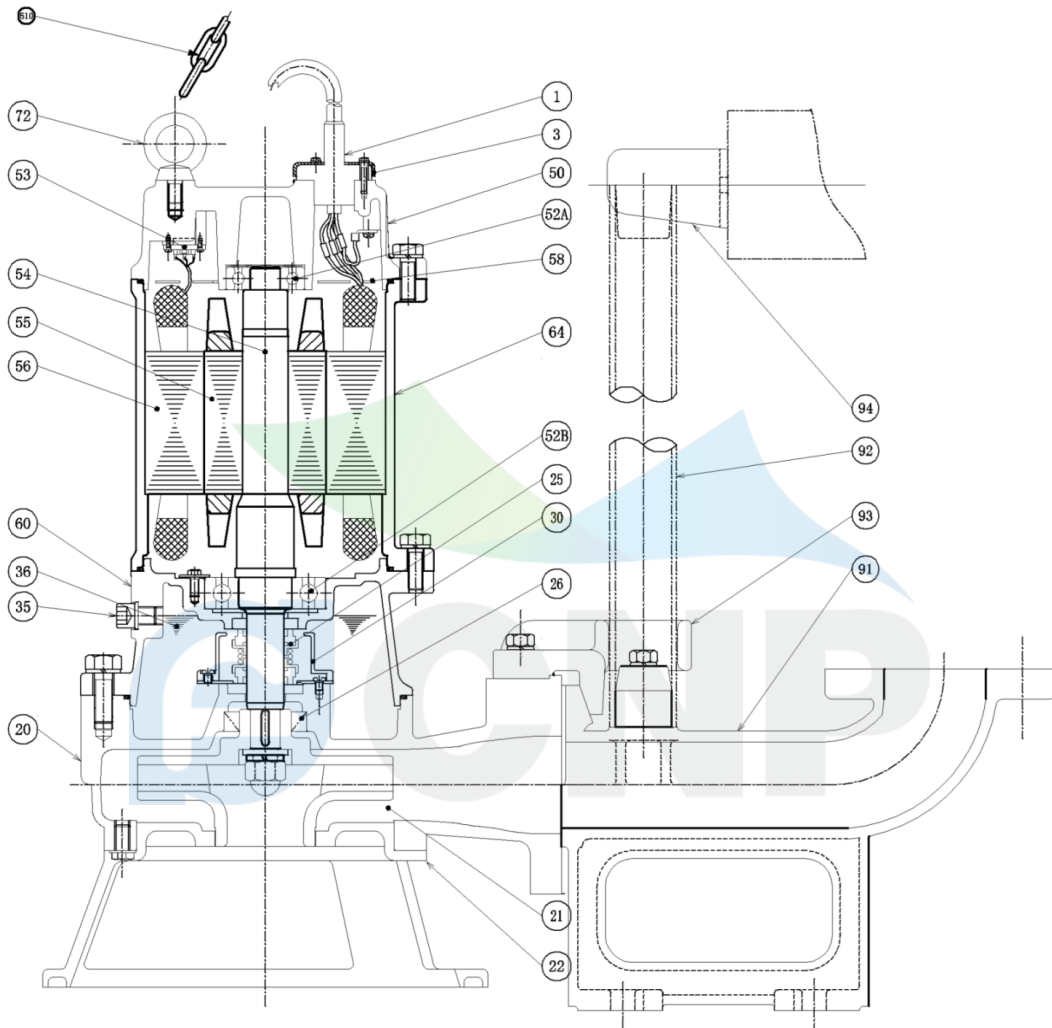
Medium Name	Clear Water
Working temperature(°C)	20
Medium density(kg/m <sup>3</sup> )	1000
Viscosity(mm <sup>2</sup> /s)	1



	<b>Structure picture</b> <b>50WQ8-15-1.1(I)</b>	Manufacturer	CNP
		Address	Yuhang District, Hangzhou,
Project Name		Contact	86-571-88637351
		Date	2022/03/09
Station Number		Client Name	DPA
		Client Addr.	
		Contacts	Alireza
		Contact	

## **CNP Nanfang Zhongjin Environment Co., Ltd**

STRUCTURE DRAWING		No.	No.
TYPE	submersible sewage pump	MODEL	WQ-0.55/0.75/1.1KW



order specifications							
No.	names of parts	number	material	No.	names of parts	number	material
1	cable	1	YZW	22	water inlet cover	1	HT200
3	cable cover	1	SUS304	20	casing	1	HT200
50	top cover	1	HT200	35	oil filler plug	1	SUS304
52A	upper bearing	1		36	machine oil 32#		
58	cable transit board	1	PPS	60	lower cover	1	HT200
64	base	1	HT200	56	stator	1	
52B	lower bearing	1		55	rotor	1	
25	mechanical seal	1	Carbon/SIC	54	shaft	1	
30	oil lift	1		53	thermal protector	1	
26	framework oil seal	1	NBRI-2	72	eye bolt	2	45#(forging galvanized)
93	guide hook	1	HT200	91	water outlet base	1	HT200
21	impeller	1	HT200	94	guiding	1	HT200
510		1	SUS304	92	pipe	1	SUS304(unaffiliated)

Nanfang Zhongjin Environment CO.,LTD.

unit : mm



## Installation picture 50WQ8-15-1.1(I)

Manufacturer	CNP
Address	Yuhang District, Hangzhou,
Contact	86-571-88637351
Date	2022/03/09
Client Name	DPA
Client Addr.	
Contacts	Alireza
Contact	

Project Name

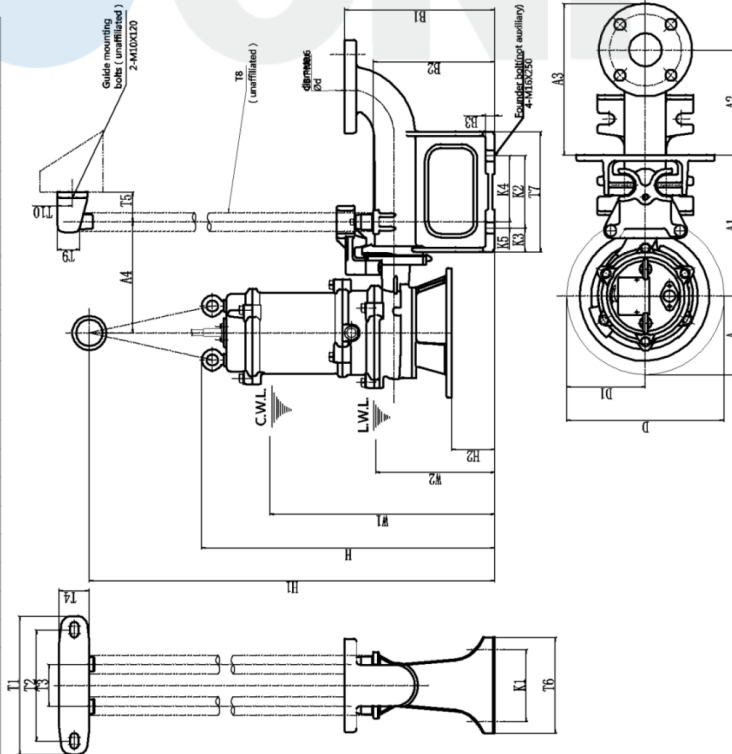
Station Number

**CNP Nanfang Zhongjin Environment Co., Ltd.**

DIMENSION DRAWING		No.
TYPE	submersible sewage pump	MODEL
50WQ8-15-1.1		50WQ8-15-1.1

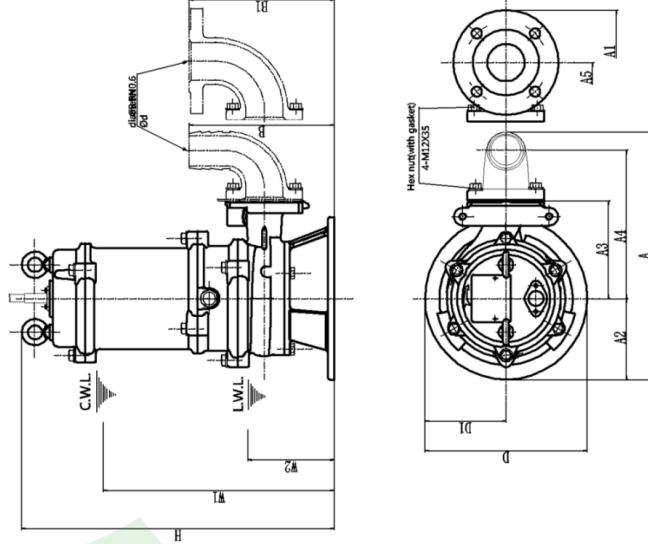
MODEL	d	A	A1	A2	A3	A4	A5	B	B1	D	D1	W1	W2	H	Body weight
50WQ8-15-1.1	50	357	414	113	152	219	363	204	182	226	113	300	139	440	25.5kg

diameter	50
elbow weight	1.5kg
bend weight	3.5kg



C.W.L.: minimum water level under continuous operation  
L.W.L.: minimum water level under possible operation

Nanfang Zhongjin Environment Co.,LTD. unit : mm



C.W.L.: minimum water level under continuous operation  
L.W.L.: minimum water level under possible operation

Nanfang Zhongjin Environment Co.,LTD. unit : mm