
	<b>Product information</b> <b>50WQ25-27-4/QG(I)</b>	Manufacturer	CNP
		Address	Yuhang District, Hangzhou,
<b>Project Name</b>		Contact	86-571-88637351
		Date	2022/03/09
<b>Station Number</b>		Client Name	DPA
		Client Addr.	
		Contacts	Alireza
		Contact	

Product No.	50WQ25-27-4/QG(I)
-------------	-------------------

Product picture(Note:the picture may not be the same as the	Series description
	Single channel or double channel impeller.Auto-coupling system on request.

<b>Performance Data</b>	
Rated flow(m <sup>3</sup> /h)	25
Rated head(m)	27
Efficiency(%)	62.2
Rated power(kW)(kW)	3
Rate Speed(rpm)	2840
<b>technology</b>	
Pump rotator speed	2840
Nameplate standards	CE
<b>Material</b>	
Impeller	HT200
Pump shaft	20cr13
Rubber code	P
Pump case	HT200
<b>Installation</b>	
Connection Code	F
Maximum Pressure/Temperatu	6bar/40
Flange Standard	DIN
Pressure Class	PN6
<b>Medium</b>	
Medium Temperature	40
Maximum diameter of partic	22
Maximum Environment Temper	40
<b>Structure dimension</b>	
Standard	DN
Outlet size	DN50
<b>Motor</b>	
Number of Motor Phase	Three Phase
Protection Class	IP68
Insulation Class	F
Motor Power	4
Power Frequency	50HZ
Rated Voltage (V)	380V
Rated Current (A)	7.7

	<b>Product information</b> <b>50WQ25-27-4/QG(I)</b>	Manufacturer	CNP
		Address	Yuhang District, Hangzhou,
		Contact	86-571-88637351
		Date	2022/03/09
<b>Project Name</b>		Client Name	DPA
		Client Addr.	
<b>Station Number</b>		Contacts	Alireza
		Contact	

Starting mode                      direct boot

**Seal**

Mechanical Seal                      H-25

**Others**

Weight (kg)                              50





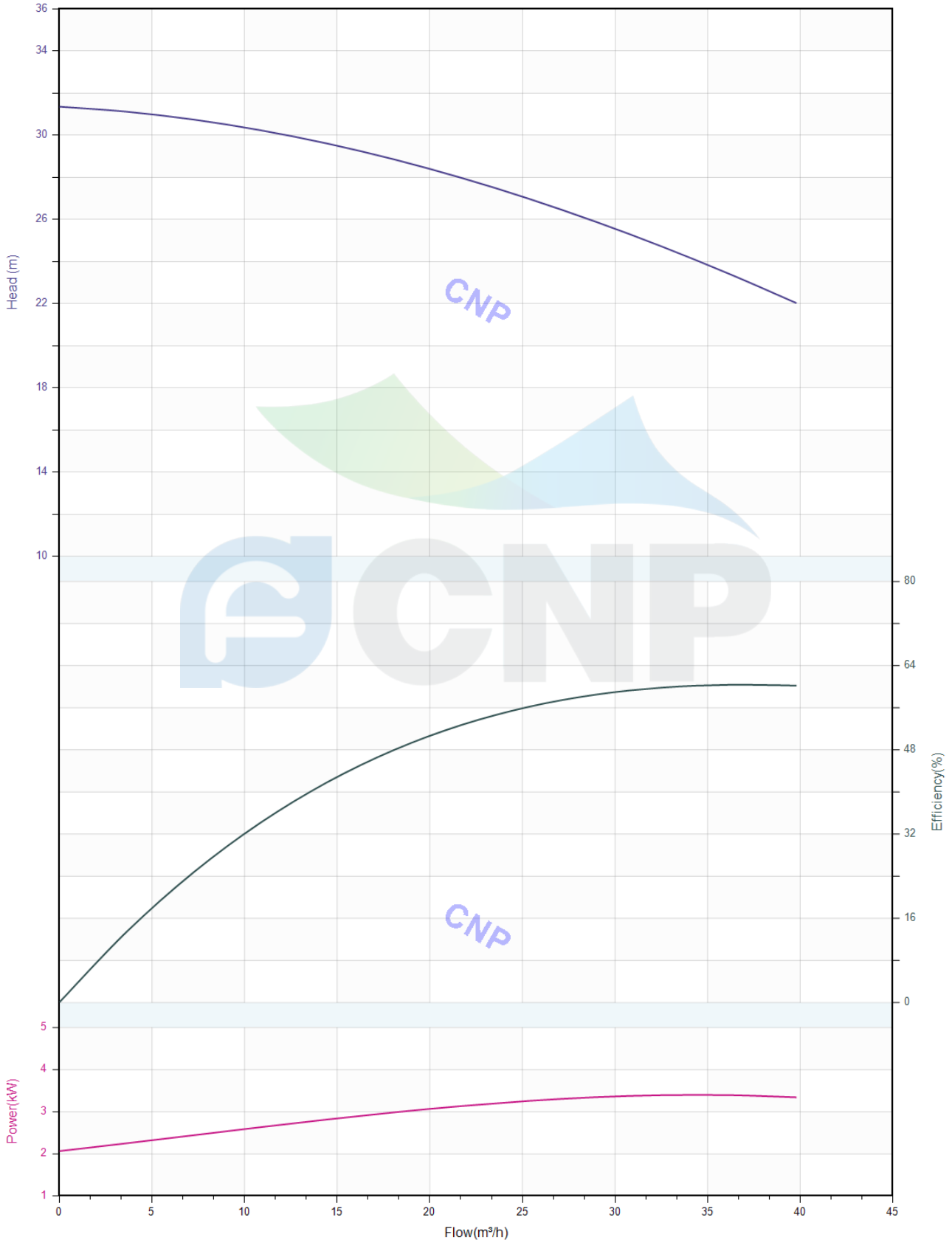
# Performance Curve 50WQ25-27-4/QG(I)

Manufacturer	CNP
Address	Yuhang District, Hangzhou,
Contact	86-571-88637351
Date	2022/03/09
Client Name	DPA
Client Addr.	
Contacts	Alireza
Contact	

Project Name

Station Number

Medium Name Clear Water , Temperature 20°C, Density 1000kg/m<sup>3</sup>, Viscosity 1mm<sup>2</sup>/s, (ISO99062012 Grande 3B)





## Pump technical parameters 50WQ25-27-4/QG(I)

Manufacturer	CNP
Address	Yuhang District, Hangzhou,
Contact	86-571-88637351
Date	2022/03/09
Client Name	DPA
Client Addr.	
Contacts	Alireza
Contact	

Project Name

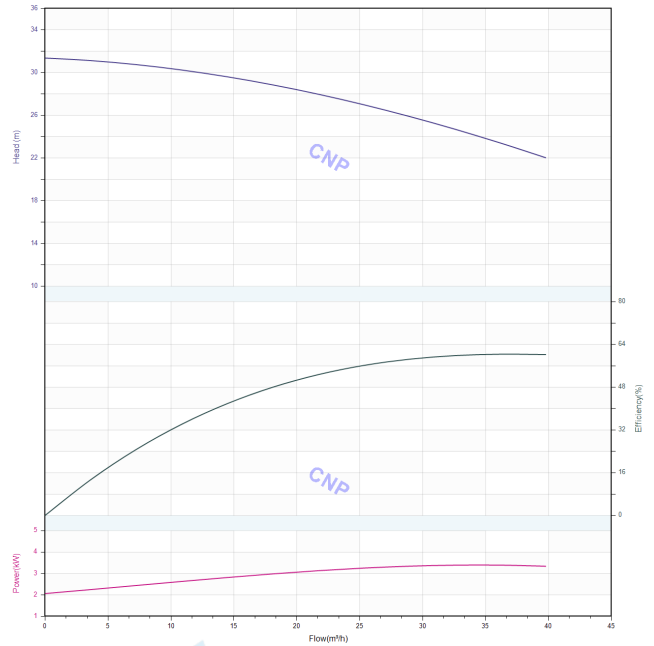
Station Number

### Rated parameters

Pump model	50WQ25-27-4/QG(I)
Product No.	50WQ25-27-4/QG(I)
Rated flow(m <sup>3</sup> /h)	25
Rated pressure(m)	27
Rated efficiency(%)	62.2
Power(kW)	3
Speed(rpm)	2840

### Medium

Medium Name	Clear Water
Working temperature(°C)	20
Medium density(kg/m <sup>3</sup> )	1000
Viscosity(mm <sup>2</sup> /s)	1





**Structure picture**  
**50WQ25-27-4/QG(I)**

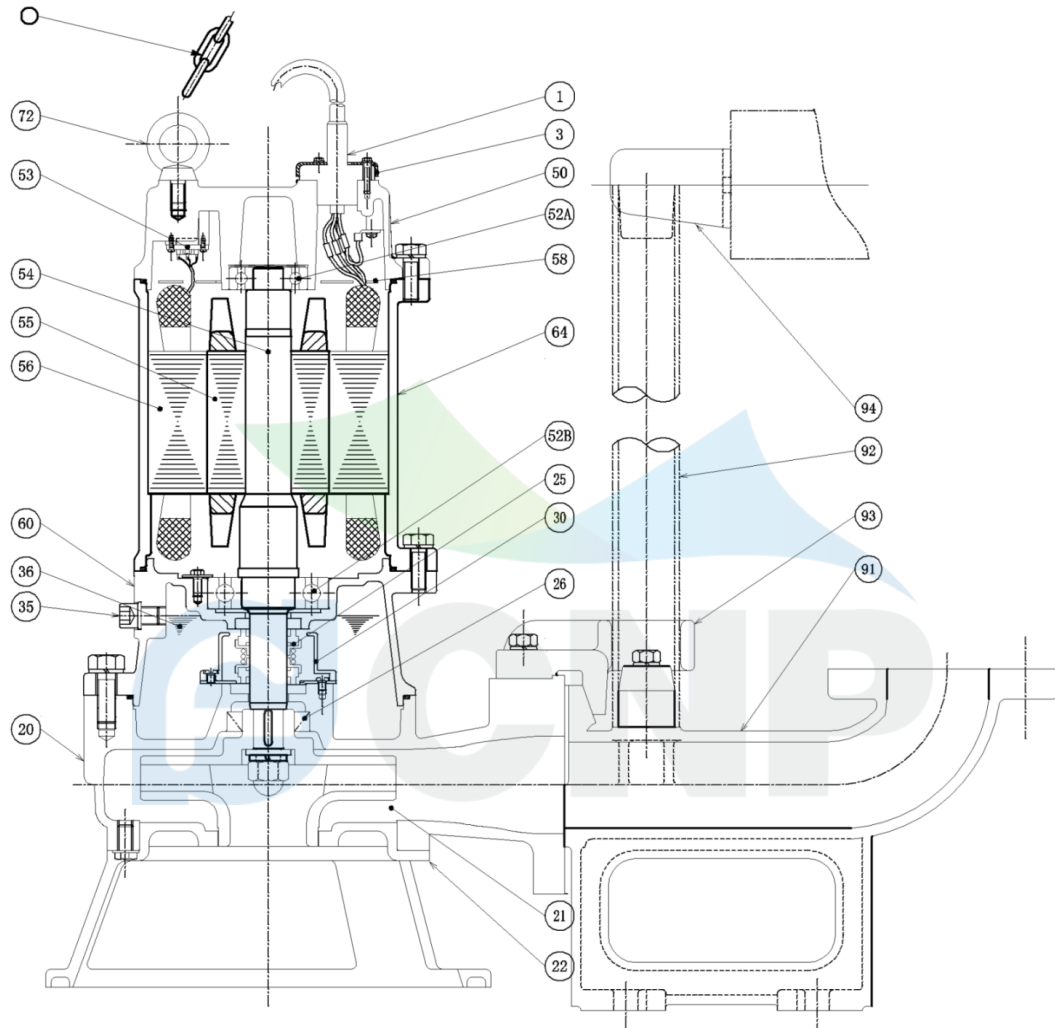
Manufacturer	CNP
Address	Yuhang District, Hangzhou,
Contact	86-571-88637351
Date	2022/03/09
Client Name	DPA
Client Addr.	
Contacts	Alireza
Contact	

Project Name

Station Number

**CNP Nanfang Zhongjin Environment Co., Ltd.**

	<b>SECTIONAL DRAWING</b>	No.	No.
TYPE	submersible sewage pump	MODEL	WQ-1.5/2.2/3.0/4.0kW



**order specifications**

No.	names of parts	number	material	No.	names of parts	number	material
1	cable	1	YZW	22	water inlet cover	1	HT200
3	cable cover	1	SUS304	20	casing	1	HT200
50	top cover	1	HT200	35	oil filler plug	1	SUS304
52A	upper bearing	1		36	machine oil 32#		
58	cable transit board	1		60	lower cover	1	HT200
64	base	1	HT200	56	stator	1	
52B	lower bearing	1		55	rotor	1	
25	mechanical seal	1	Carbon/SIC	54	shaft	1	
30	oil lift	1		53	thermal protector	1	
26	framework oil seal	1	NBRI-2	72	eye bolt	2	45#(forging galvanized)
93	guide hook	1	HT200	91	water outlet base	1	HT200
21	impeller	1	HT200	94	guiding	1	HT200
510	lift chain	1	SUS304	92	pipe	1	SUS304(unaffiliated)

Nanfang Zhongjin Environment CO.,LTD.

unit : mm



## Installation picture 50WQ25-27-4/QG(I)

Manufacturer	CNP
Address	Yuhang District, Hangzhou,
Contact	86-571-88637351
Date	2022/03/09
Client Name	DPA
Client Addr.	
Contacts	Alireza
Contact	

Project Name

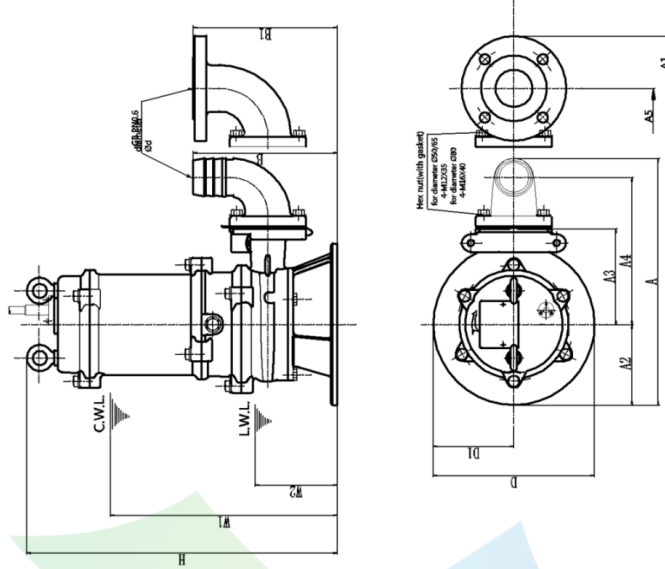
Station Number

**CNP Nanfang Zhongjin Environment Co., Ltd.**

DIMENSION DRAWING		No.	No.
TYPE submersible sewage pump		MODEL	50WQ25-27-4/QG

MODEL	d	A	A1	A2	A3	A4	A5	B	B1	D	D1	W1	W2	H	Body weight
50WQ25-27-4/QG	50	434	492	139	198	270	283	223	223	278	139	400	200	555	50kg

diameter	50
elbow weight	1.5kg
bend weight	3.5kg



C.W.L.: minimum water level under continuous operation  
L.W.L.: minimum water level under possible operation

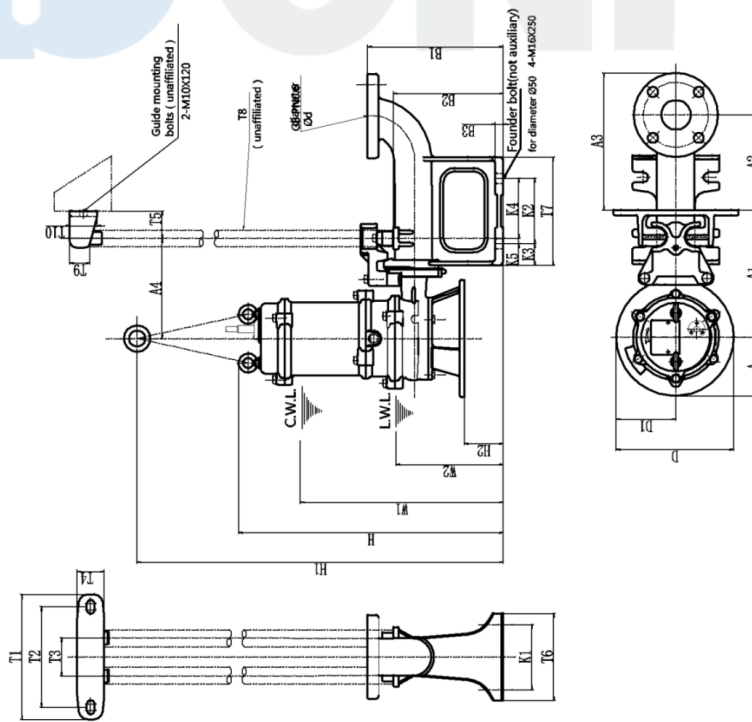
unit : mm

Nanfang Zhongjin Environment CO.,LTD.

**CNP Nanfang Zhongjin Environment Co., Ltd.**

DIMENSION DRAWING		No.	No.
TYPE submersible sewage pump		MODEL	50WQ25-27-4/QG

MODEL	A	A1	A2	A3	A4	D	D1	W1	W2	H	H1	H2	Body weight						
50WQ25-27-4/QG	139	304.5	175	245	253	278	139	430	220	609	1009	53	50kg						
Outlet diameter	d	T1	T2	T3	T4	T5	T6	T7	T8	T9	T10	T11	Coupling weight						
50WQ25-27-4/QG	50	230	185	70	50	90	360	200	179	363.5	35	25	120	120	10	250	202.5	15	13.5kg



C.W.L.: minimum water level under continuous operation  
L.W.L.: minimum water level under possible operation

unit : mm

Nanfang Zhongjin Environment CO.,LTD.