
	<b>Product information</b> <b>50WQ15-15-1.5/QG(I)</b>	Manufacturer	CNP
		Address	Yuhang District, Hangzhou,
<b>Project Name</b>		Contact	86-571-88637351
		Date	2022/03/09
<b>Station Number</b>		Client Name	DPA
		Client Addr.	
		Contacts	Alireza
		Contact	

Product No.	50WQ15-15-1.5/ QG(I)
-------------	----------------------

Product picture(Note:the picture may not be the same as the	Series description
	Single channel or double channel impeller.Auto-coupling system on request.

### Performance Data

Rated flow(m <sup>3</sup> /h)	15
Rated head(m)	15
Efficiency(%)	49.3
Rated power(kW)(kW)	1.225
Rate Speed(rpm)	2880

### technology

Pump rotator speed	2880
Nameplate standards	CE

### Material

Impeller	HT200
Pump shaft	20cr13
Rubber code	P
Pump case	HT200

### Installation

Connection Code	F
Maximum Pressure/Temperatu	6bar/40
Flange Standard	DIN
Pressure Class	PN6

### Medium


Medium Temperature	40
Maximum diameter of partic	23
Maximum Environment Temper	40

### Structure dimension

Standard	DN
Outlet size	DN50

### Motor

Number of Motor Phase	Three Phase
Protection Class	IP68
Insulation Class	F
Motor Power	1.5
Power Frequency	50HZ
Rated Voltage (V)	380V
Rated Current (A)	3.3

	<b>Product information</b> <b>50WQ15-15-1.5/QG(I)</b>	Manufacturer	CNP
		Address	Yuhang District, Hangzhou,
		Contact	86-571-88637351
		Date	2022/03/09
<b>Project Name</b>		Client Name	DPA
		Client Addr.	
<b>Station Number</b>		Contacts	Alireza
		Contact	

Starting mode                      direct boot


**Seal**

Mechanical Seal                      H-20

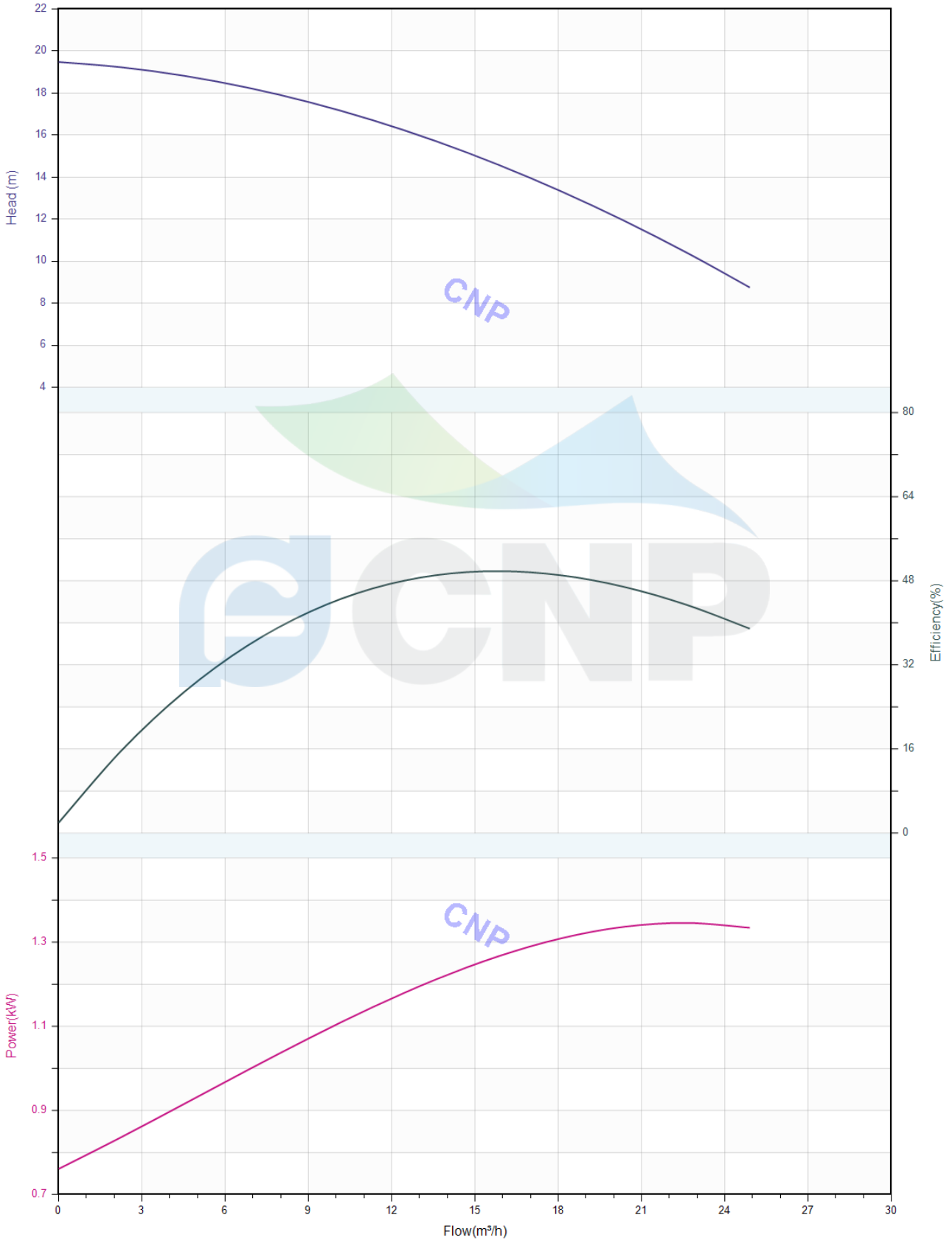
**Others**


Weight (kg)                              33



	<b>Performance Curve</b> <b>50WQ15-15-1.5/QG(I)</b>	Manufacturer	CNP
		Address	Yuhang District, Hangzhou,
		Contact	86-571-88637351
		Date	2022/03/09
Project Name		Client Name	DPA
Station Number		Client Addr.	
		Contacts	Alireza
		Contact	

Medium Name Clear Water , Temperature 20°C, Density 1000kg/m<sup>3</sup>, Viscosity 1mm<sup>2</sup>/s, (ISO99062012 Grande 3B)



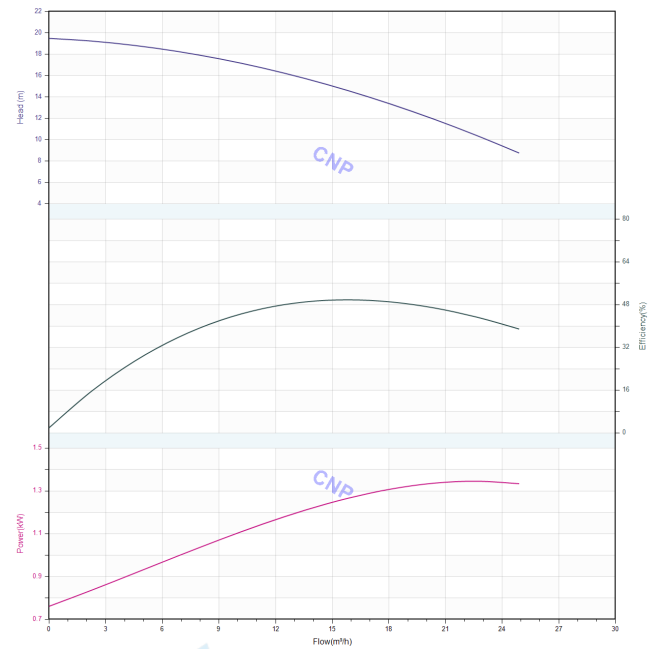
	<b>Pump technical parameters</b> <b>50WQ15-15-1.5/QG(I)</b>	Manufacturer	CNP
		Address	Yuhang District, Hangzhou,
Project Name		Contact	86-571-88637351
		Date	2022/03/09
Station Number		Client Name	DPA
		Client Addr.	
		Contacts	Alireza
		Contact	


**Rated parameters**

Pump model	50WQ15-15-1.5/QG(I)
Product No.	50WQ15-15-1.5/ QG(I)
Rated flow(m <sup>3</sup> /h)	15
Rated pressure(m)	15
Rated efficiency(%)	49.3
Power(kW)	1.225
Speed(rpm)	2880

**Medium**

Medium Name	Clear Water
Working temperature(°C)	20
Medium density(kg/m <sup>3</sup> )	1000
Viscosity(mm <sup>2</sup> /s)	1



	<b>Structure picture</b> <b>50WQ15-15-1.5/QG(I)</b>	Manufacturer	CNP
		Address	Yuhang District, Hangzhou,
Project Name		Contact	86-571-88637351
		Date	2022/03/09
Station Number		Client Name	DPA
		Client Addr.	
		Contacts	Alireza
		Contact	

## CNP Nanfang Zhongjin Environment Co., Ltd.

SECTIONAL DRAWING		No.	No.
TYPE	submersible sewage pump	MODEL	WQ-1.5/2.2/3.0/4.0kW



order specifications		

No.	names of parts	number	material	No.	names of parts	number	material
1	cable	1	YZW	22	water inlet cover	1	HT200
3	cable cover	1	SUS304	20	casing	1	HT200
50	top cover	1	HT200	35	oil filler plug	1	SUS304
52A	upper bearing	1		36	machine oil 32#		
58	cable transit board	1		60	lower cover	1	HT200
64	base	1	HT200	56	stator	1	
52B	lower bearing	1		55	rotor	1	
25	mechanical seal	1	Carbon/SIC	54	shaft	1	
30	oil lift	1		53	thermal protector	1	
26	framework oil seal	1	NBRI-2	72	eye bolt	2	45#(forging galvanized)
93	guide hook	1	HT200	91	water outlet base	1	HT200
21	impeller	1	HT200	94	guiding	1	HT200
510	lift chain	1	SUS304	92	pipe	1	SUS304(unaffiliated)

Nanfang Zhongjin Environment CO.,LTD.

unit : mm



## Installation picture 50WQ15-15-1.5/QG(I)

Manufacturer	CNP
Address	Yuhang District, Hangzhou,
Contact	86-571-88637351
Date	2022/03/09
Client Name	DPA
Client Addr.	
Contacts	Alireza
Contact	

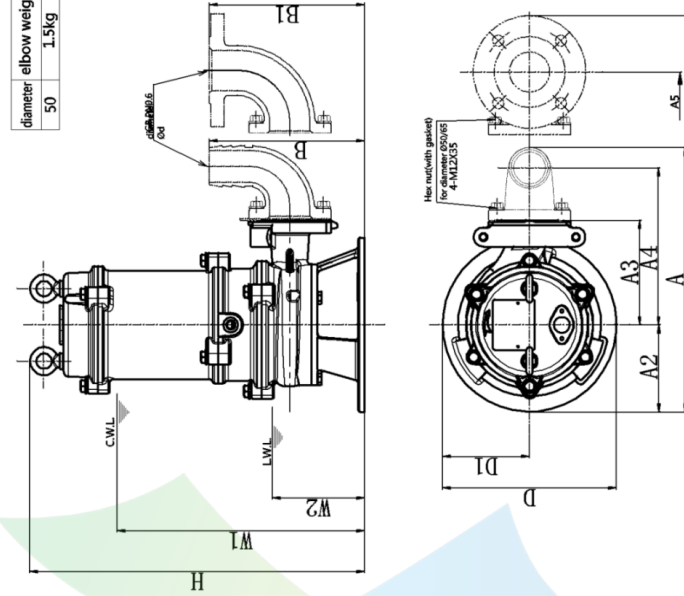
Project Name

Station Number

### CNP Nanfang Zhongjin Environment Co., Ltd.

DIMENSION DRAWING		No.	No.												
TYPE submersible sewage pump		MODEL	50WQ15-15-1.5/QG												
MODEL	d	A	A1	A2	A3	A4	A5	B	B1	D	D1	W1	W2	H	Body weight
50WQ15-15-1.5/QG	50	363	420	114	158	326	236	197	197	238	119	330	140	464	30kg

diameter	elbow weight	bend weight
50	1.5kg	3.5kg

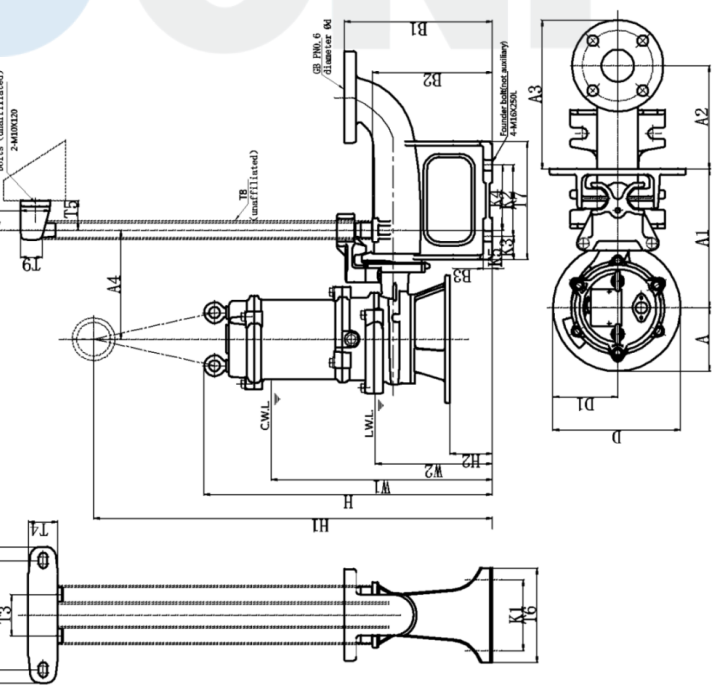


C.W.L. : minimum water level under continuous operation  
L.W.L. : minimum water level under possible operation

Nanfang Zhongjin Environment CO.,LTD. unit : mm

### CNP Nanfang Zhongjin Environment Co., Ltd.

DIMENSION DRAWING		No.	No.										
TYPE submersible sewage pump		MODEL	50WQ15-15-1.5/QG										
MODEL	A	A1	A2	A3	A4	D	D1	W1	W2	H	H1	H2	Body weight
50WQ15-15-1.5/QG	119	261	175	245	211	238	119	400	220	531	931	69	37
Outlet diameter	d	T1	T2	T3	T4	T5	T6	T7	T8	T9	T10	T11	Coaxial weight
50WQ15-15-1.5/QG	50	230	185	70	50	30	160	200	175	160	15	20	33kg



C.W.L. : minimum water level under continuous operation  
L.W.L. : minimum water level under possible operation

Nanfang Zhongjin Environment CO.,LTD. unit : mm