

	<b>Product information</b> <b>50WQ12-10-0.75(I)</b>	Manufacturer	CNP
		Address	Yuhang District, Hangzhou,
<b>Project Name</b>		Contact	86-571-88637351
		Date	2022/03/09
<b>Station Number</b>		Client Name	DPA
		Client Addr.	
		Contacts	Alireza
		Contact	

Product No.	50WQ12-10-0.75(I)
-------------	-------------------

Product picture(Note:the picture may not be the same as the	Series description
	Single channel or double channel impeller.Auto-coupling system on request.

<b>Performance Data</b>	
Rated flow(m <sup>3</sup> /h)	12
Rated head(m)	10
Efficiency(%)	43.2
Rated power(kW)(kW)	0.76
Rate Speed(rpm)	2850
<b>technology</b>	
Pump rotator speed	2850
Nameplate standards	CE
<b>Material</b>	
Impeller	HT200
Pump shaft	20cr13
Rubber code	P
Pump case	HT200
<b>Installation</b>	
Connection Code	F
Maximum Pressure/Temperatu	6bar/40
Flange Standard	DIN
Pressure Class	PN6
<b>Medium</b>	
Medium Temperature	40
Maximum diameter of partic	15
Maximum Environment Temper	40
<b>Structure dimension</b>	
Standard	DN
Outlet size	DN50
<b>Motor</b>	
Number of Motor Phase	Three Phase
Protection Class	IP68
Insulation Class	F
Motor Power	0.75
Power Frequency	50HZ
Rated Voltage (V)	380V
Rated Current (A)	1.8

	<b>Product information</b> <b>50WQ12-10-0.75(I)</b>	Manufacturer	CNP
		Address	Yuhang District, Hangzhou,
		Contact	86-571-88637351
		Date	2022/03/09
<b>Project Name</b>		Client Name	DPA
		Client Addr.	
<b>Station Number</b>		Contacts	Alireza
		Contact	

Starting mode                      direct boot

**Seal**

Mechanical Seal                      H-17

**Others**

Weight (kg)                              21.5





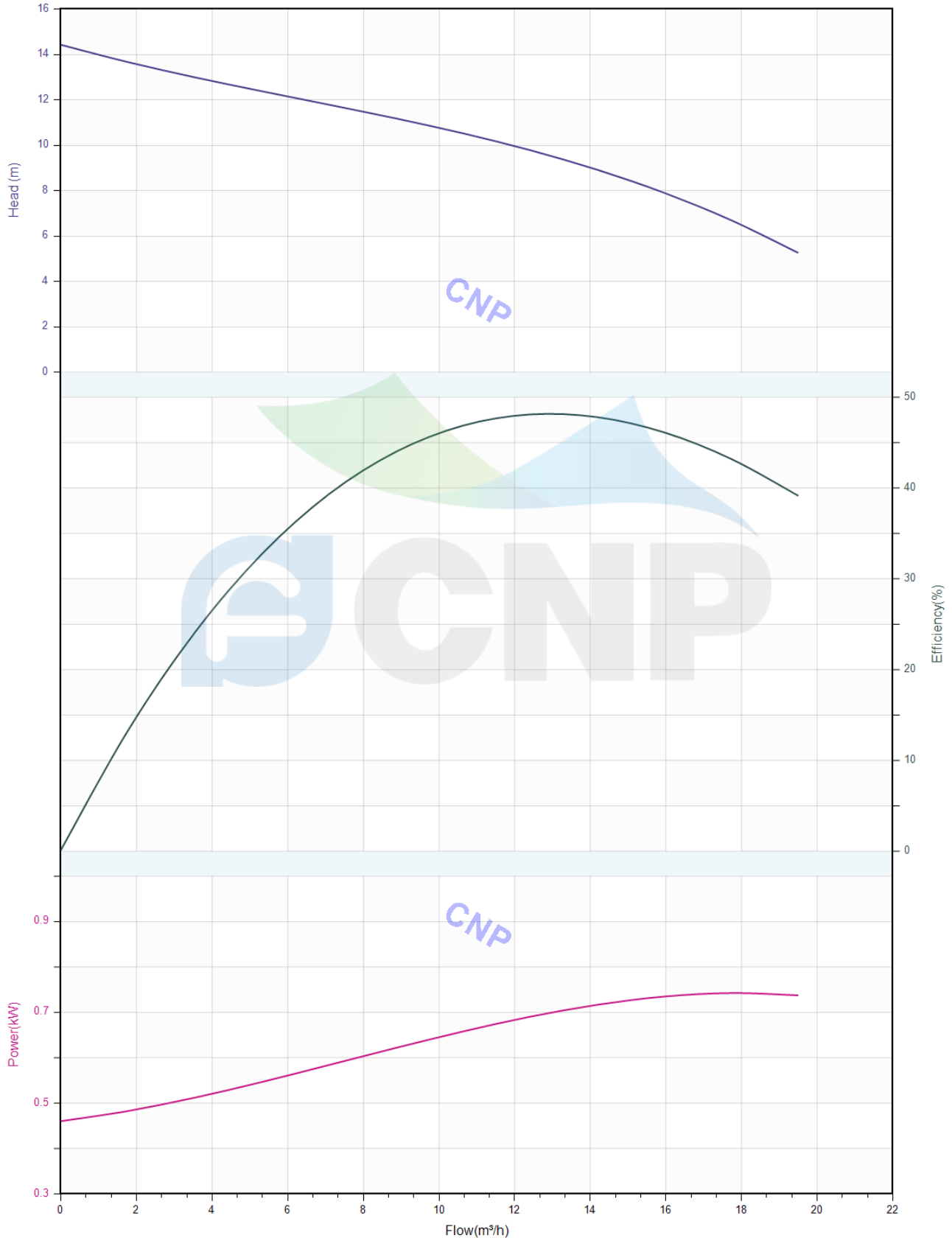
# Performance Curve 50WQ12-10-0.75(I)

Manufacturer	CNP
Address	Yuhang District, Hangzhou,
Contact	86-571-88637351
Date	2022/03/09
Client Name	DPA
Client Addr.	
Contacts	Alireza
Contact	

Project Name

Station Number

Medium Name Clear Water , Temperature 20°C, Density 1000kg/m<sup>3</sup>, Viscosity 1mm<sup>2</sup>/s, (ISO99062012 Grande 3B)





### Pump technical parameters 50WQ12-10-0.75(I)

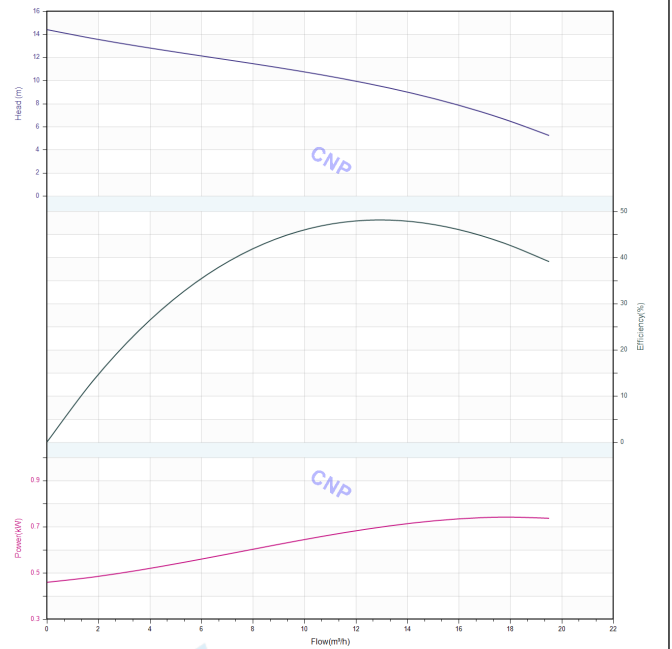
Manufacturer	CNP
Address	Yuhang District, Hangzhou,
Contact	86-571-88637351
Date	2022/03/09
Client Name	DPA
Client Addr.	
Contacts	Alireza
Contact	


#### Rated parameters

Pump model	50WQ12-10-0.75(I)
Product No.	50WQ12-10-0.75(I)
Rated flow(m <sup>3</sup> /h)	12
Rated pressure(m)	10
Rated efficiency(%)	43.2
Power(kW)	0.76
Speed(rpm)	2850

#### Medium

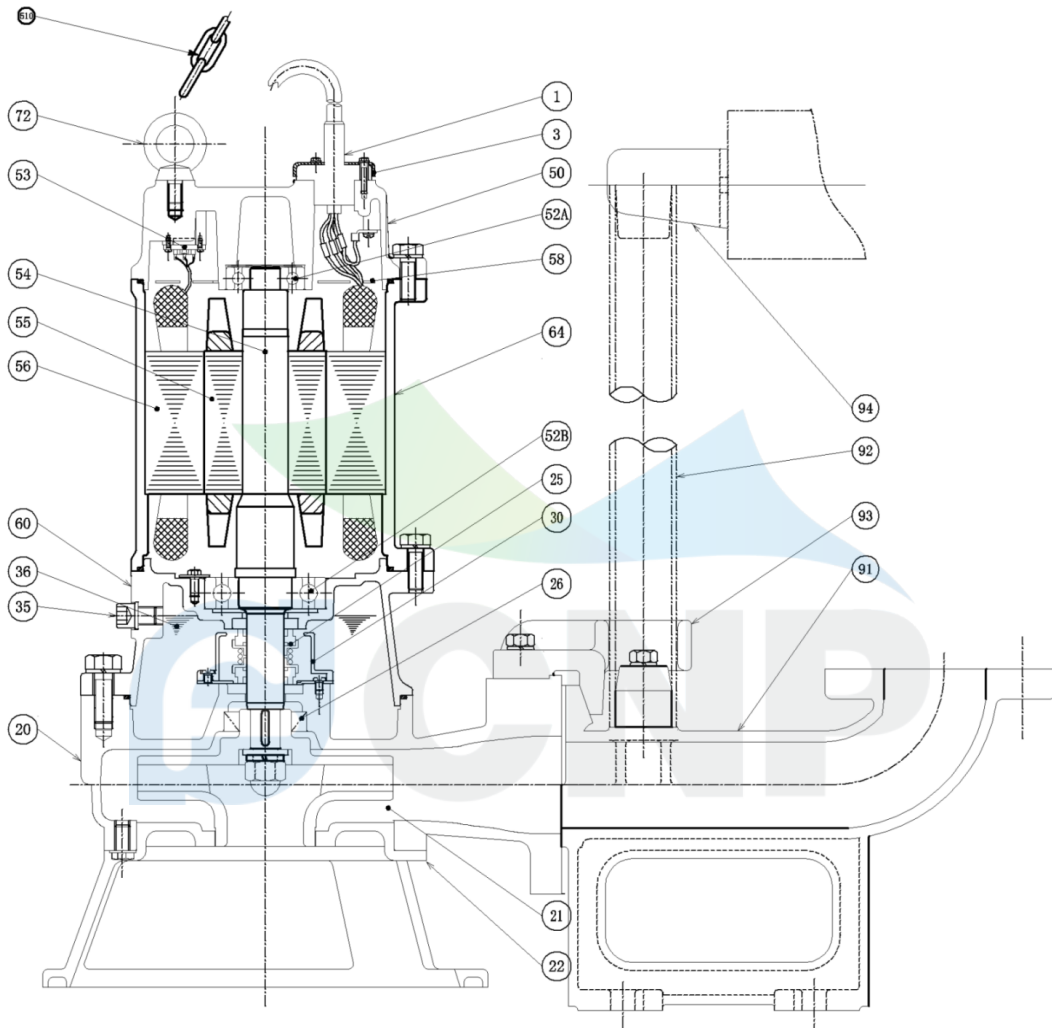
Medium Name	Clear Water
Working temperature(°C)	20
Medium density(kg/m <sup>3</sup> )	1000
Viscosity(mm <sup>2</sup> /s)	1



	<b>Structure picture</b> <b>50WQ12-10-0.75(I)</b>	Manufacturer	CNP
		Address	Yuhang District, Hangzhou,
Project Name		Contact	86-571-88637351
		Date	2022/03/09
Station Number		Client Name	DPA
		Client Addr.	
		Contacts	Alireza
		Contact	

## **CNP Nanfang Zhongjin Environment Co., Ltd**

	<b>STRUCTURE DRAWING</b>	No.	No.
TYPE	submersible sewage pump	MODEL	WQ-0.55/0.75/1.1KW



order specifications							
No.	names of parts	number	material	No.	names of parts	number	material
1	cable	1	YZW	22	water inlet cover	1	HT200
3	cable cover	1	SUS304	20	casing	1	HT200
50	top cover	1	HT200	35	oil filler plug	1	SUS304
52A	upper bearing	1		36	machine oil 32#		
58	cable transit board	1	PPS	60	lower cover	1	HT200
64	base	1	HT200	56	stator	1	
52B	lower bearing	1		55	rotor	1	
25	mechanical seal	1	Carbon/SIC	54	shaft	1	
30	oil lift	1		53	thermal protector	1	
26	framework oil seal	1	NBRI-2	72	eye bolt	2	45#(forging galvanized)
93	guide hook	1	HT200	91	water outlet base	1	HT200
21	impeller	1	HT200	94	guiding	1	HT200
510		1	SUS304	92	pipe	1	SUS304(unaffiliated)

Nanfang Zhongjin Environment CO.,LTD.

unit : mm



### Installation picture 50WQ12-10-0.75(I)

Manufacturer	CNP
Address	Yuhang District, Hangzhou,
Contact	86-571-88637351
Date	2022/03/09
Client Name	DPA
Client Addr.	
Contacts	Alireza
Contact	

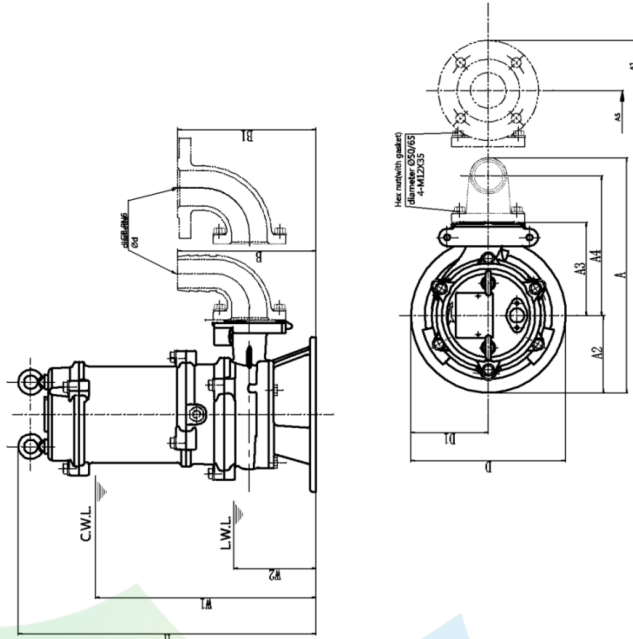
Project Name

Station Number

**CNP** Nanfang Zhongjin Environment Co., Ltd.

DIMENSION DRAWING		No.													
TYPE submersible sewage pump		MODEL	50WQ12-10-0.75												
MODEL	d	A	A1	A2	A3	A4	A5	B	B1	D1	D	W1	W2	H	Body weight
50WQ12-10-0.75	50	329	386	108	238	195	208	191	191	108	216	320	130	414	21kg

diameter	50
elbow weight	1.5kg
bend weight	3.5kg

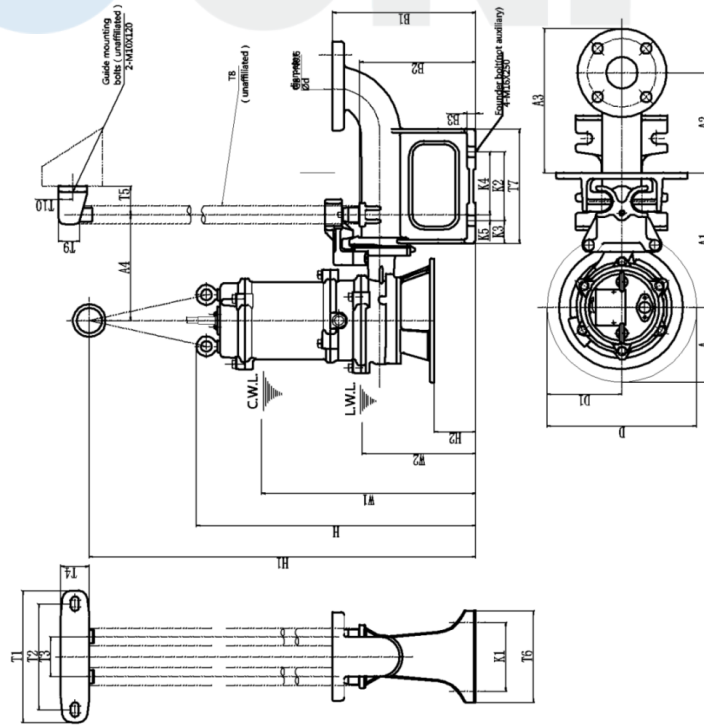


CWL : minimum water level under continuous operation  
LWL : minimum water level under possible operation

unit : mm  
Nanfang Zhongjin Environment CO.,LTD.

**CNP** Nanfang Zhongjin Environment Co., Ltd.

DIMENSION DRAWING		No.																	
TYPE submersible sewage pump		MODEL	50WQ12-10-0.75																
MODEL	A	A1	A2	A3	A4	A5	B	B1	D1	D	W1	W2	H	HI	H2	Body weight			
50WQ12-10-0.75	108	255	175	252	185	200	200	175	108	216	300	200	486	886	73	25kg			
50WQ12-10-0.75	50	185	70	50	160	200	175	200	35	25	120	120	40	110	10	250	202.5	15	13.5kg



CWL : minimum water level under continuous operation  
LWL : minimum water level under possible operation

unit : mm  
Nanfang Zhongjin Environment CO.,LTD.