
	<b>Product information</b> <b>50WQ10-15-1.1/QG(I)</b>	Manufacturer	CNP
		Address	Yuhang District, Hangzhou,
<b>Project Name</b>		Contact	86-571-88637351
		Date	2022/03/09
<b>Station Number</b>		Client Name	DPA
		Client Addr.	
		Contacts	Alireza
		Contact	

Product No.	50WQ10-15-1.1/QG(I)		
Product picture(Note:the picture may not be the same as the	Series description		
	Single channel or double channel impeller.Auto-coupling system on request.		

### Performance Data

Rated flow(m <sup>3</sup> /h)	10
Rated head(m)	15
Efficiency(%)	54.7
Rated power(kW)(kW)	0.757
Rate Speed(rpm)	2850

### technology

Pump rotator speed	2850
Nameplate standards	CE

### Material

Impeller	HT200
Pump shaft	20cr13
Rubber code	P
Pump case	HT200

### Installation

Connection Code	F
Maximum Pressure/Temperatu	6bar/40
Flange Standard	DIN
Pressure Class	PN6

### Medium


Medium Temperature	40
Maximum diameter of partic	13
Maximum Environment Temper	40

### Structure dimension

Standard	DN
Outlet size	DN50

### Motor

Number of Motor Phase	Three Phase
Protection Class	IP68
Insulation Class	F
Motor Power	1.1
Power Frequency	50HZ
Rated Voltage (V)	380V
Rated Current (A)	2.6

	<b>Product information</b> <b>50WQ10-15-1.1/QG(I)</b>	Manufacturer	CNP
		Address	Yuhang District, Hangzhou,
		Contact	86-571-88637351
		Date	2022/03/09
<b>Project Name</b>		Client Name	DPA
		Client Addr.	
<b>Station Number</b>		Contacts	Alireza
		Contact	

Starting mode                      direct boot

**Seal**

Mechanical Seal                      H-17

**Others**

Weight (kg)                              22





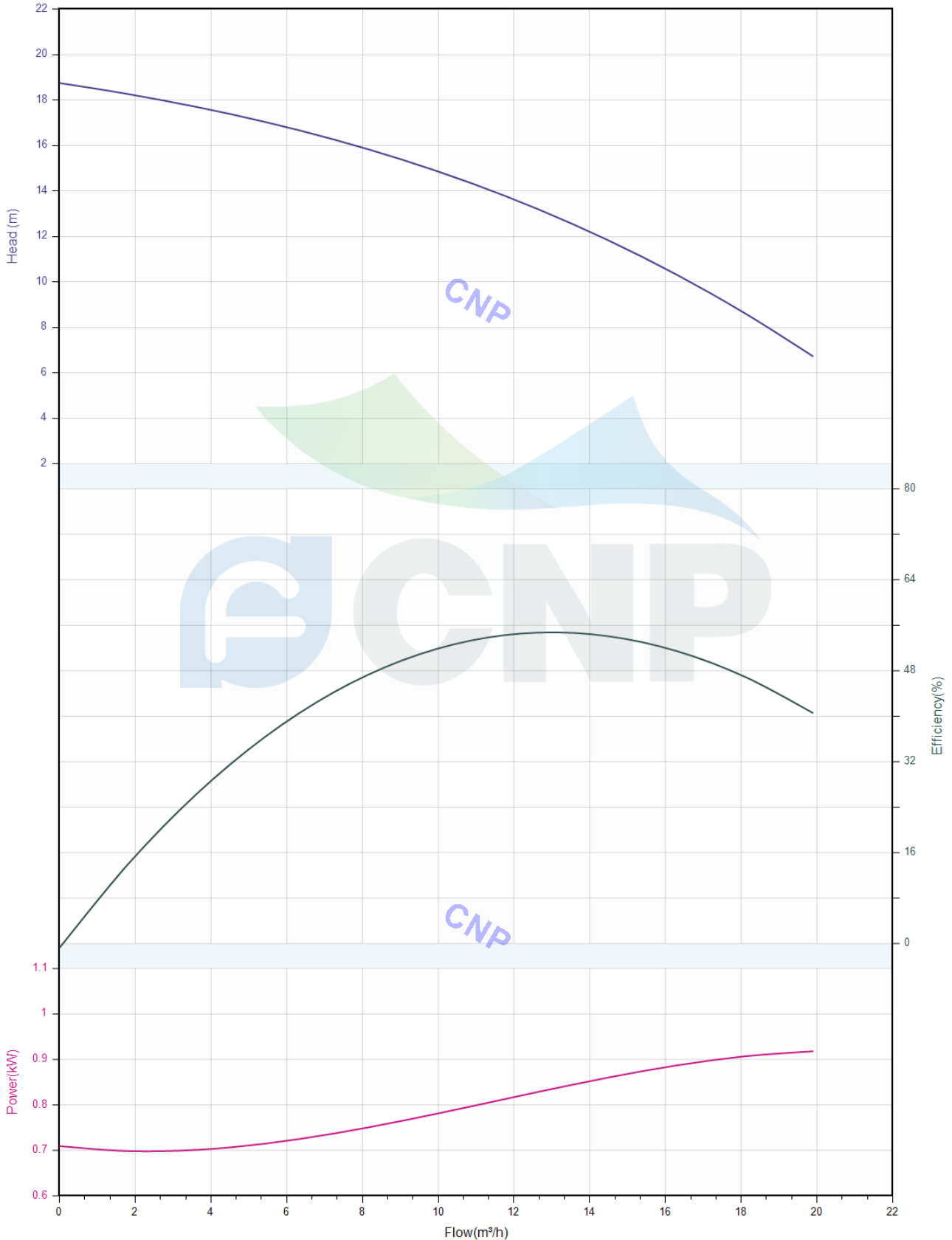
### Performance Curve 50WQ10-15-1.1/QG(I)

Manufacturer	CNP
Address	Yuhang District, Hangzhou,
Contact	86-571-88637351
Date	2022/03/09
Client Name	DPA
Client Addr.	
Contacts	Alireza
Contact	

Project Name

Station Number

Medium Name Clear Water , Temperature 20°C, Density 1000kg/m<sup>3</sup>, Viscosity 1mm<sup>2</sup>/s, (ISO99062012 Grande 3B)





### Pump technical parameters 50WQ10-15-1.1/QG(I)

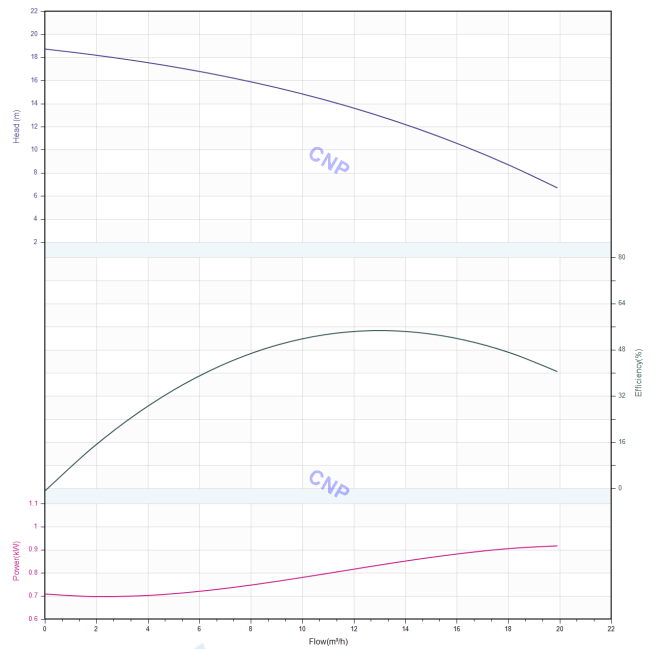
Manufacturer	CNP
Address	Yuhang District, Hangzhou,
Contact	86-571-88637351
Date	2022/03/09
Client Name	DPA
Client Addr.	
Contacts	Alireza
Contact	


#### Rated parameters

Pump model	50WQ10-15-1.1/QG(I)
Product No.	50WQ10-15-1.1/QG(I)
Rated flow(m <sup>3</sup> /h)	10
Rated pressure(m)	15
Rated efficiency(%)	54.7
Power(kW)	0.757
Speed(rpm)	2850

#### Medium

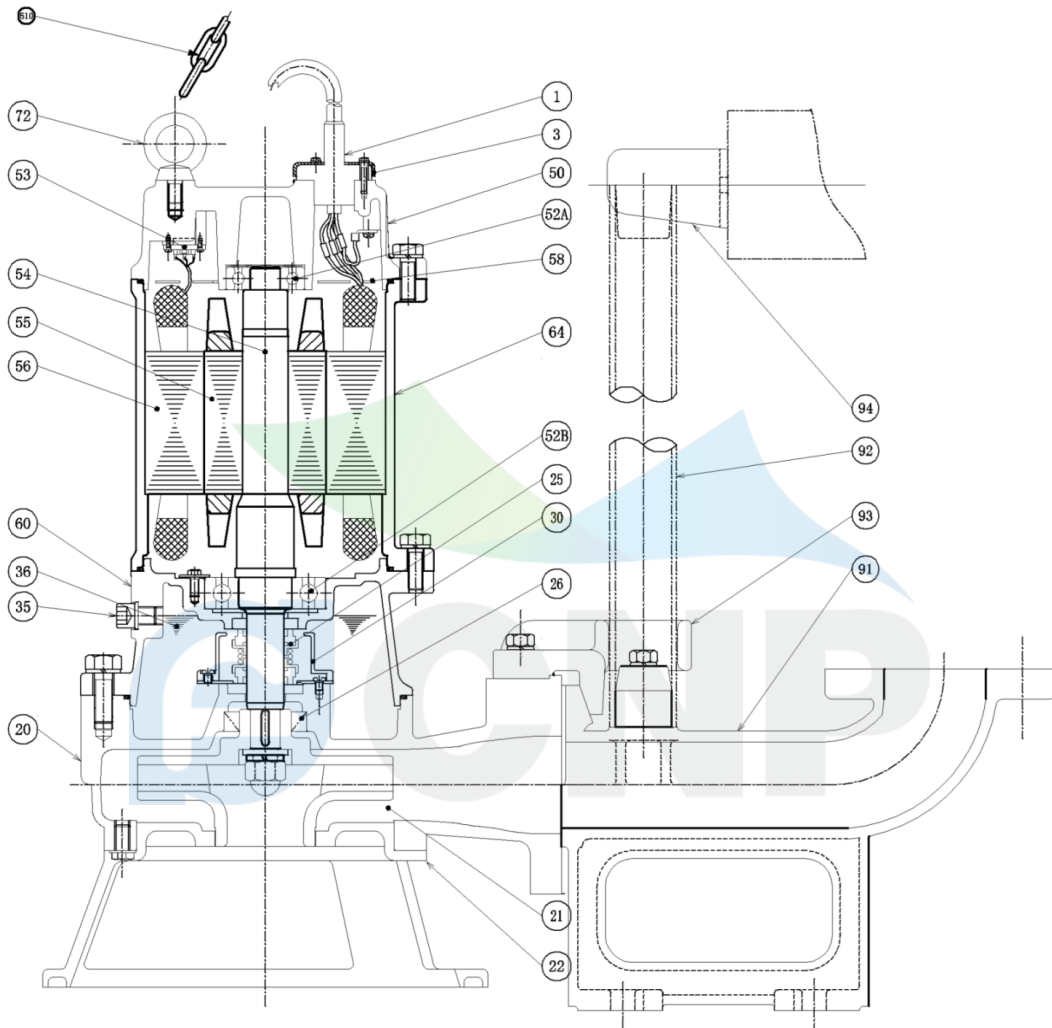
Medium Name	Clear Water
Working temperature(°C)	20
Medium density(kg/m <sup>3</sup> )	1000
Viscosity(mm <sup>2</sup> /s)	1



	<b>Structure picture</b> <b>50WQ10-15-1.1/QG(I)</b>	Manufacturer	CNP
		Address	Yuhang District, Hangzhou,
Project Name		Contact	86-571-88637351
		Date	2022/03/09
Station Number		Client Name	DPA
		Client Addr.	
		Contacts	Alireza
		Contact	

## **CNP Nanfang Zhongjin Environment Co., Ltd**

	<b>STRUCTURE DRAWING</b>	No.	No.
TYPE	submersible sewage pump	MODEL	WQ-0.55/0.75/1.1KW



order specifications						
No.	names of parts	number	material	No.	names of parts	number
1	cable	1	YZW	22	water inlet cover	1
3	cable cover	1	SUS304	20	casing	1
50	top cover	1	HT200	35	oil filler plug	1
52A	upper bearing	1		36	machine oil 32#	
58	cable transit board	1	PPS	60	lower cover	1
64	base	1	HT200	56	stator	1
52B	lower bearing	1		55	rotor	1
25	mechanical seal	1	Carbon/SIC	54	shaft	1
30	oil lift	1		53	thermal protector	1
26	framework oil seal	1	NBRI-2	72	eye bolt	2
93	guide hook	1	HT200	91	water outlet base	1
21	impeller	1	HT200	94	guiding	1
510		1	SUS304	92	pipe	1

Nanfang Zhongjin Environment CO.,LTD.

unit : mm



## Installation picture 50WQ10-15-1.1/QG(I)

Manufacturer	CNP
Address	Yuhang District, Hangzhou,
Contact	86-571-88637351
Date	2022/03/09
Client Name	DPA
Client Addr.	
Contacts	Alireza
Contact	

Project Name

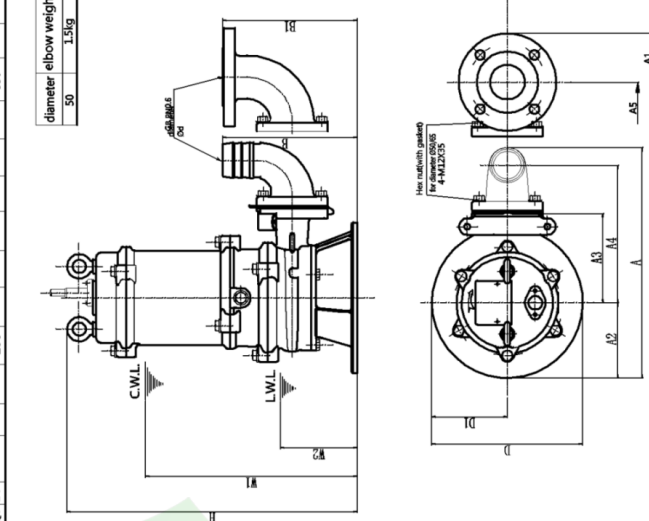
Station Number

**CNP** Nanfang Zhongjin Environment Co., Ltd.

DIMENSION DRAWING		No.	No.
TYPE submersible sewage pump		MODEL 50WQ10-15-1.1/QG	

MODEL	d	A	A1	A2	A3	A4	A5	B	B1	D	D1	W1	W2	H	Body weight
50WQ10-15-1.1/QG	50	330.5	388	108	130	222.5	210	201	201	216	108	330	140	415	21.5kg

diameter	elbow weight	bend weight
50	1.5kg	3.5kg



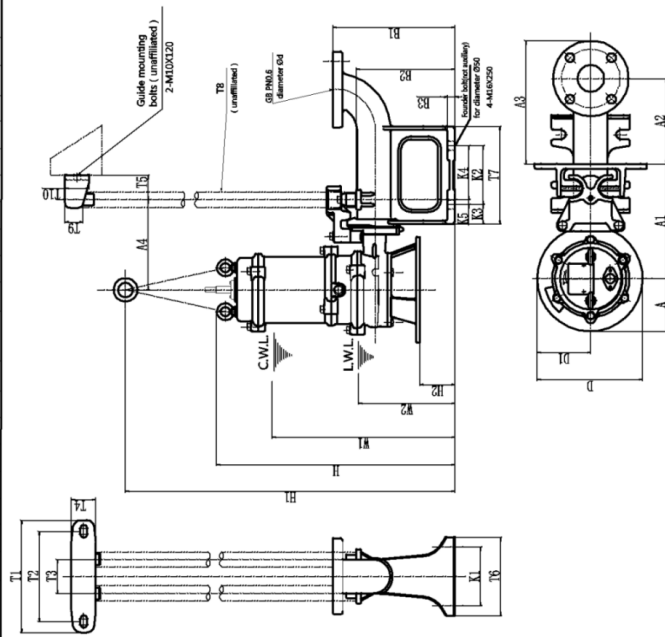
C.W.L.: minimum water level under continuous operation  
L.W.L.: minimum water level under possible operation

Nanfang Zhongjin Environment CO.,LTD. unit : mm

**CNP** Nanfang Zhongjin Environment Co., Ltd.

DIMENSION DRAWING		No.	No.
TYPE submersible sewage pump		MODEL 50WQ10-15-1.1/QG	

MODEL	A	A1	A2	A3	A4	D	D1	W1	W2	H	H1	H2	Body weight
50WQ10-15-1.1/QG	108	235	175	252	185	216	108	300	200	487	857	72	21.5kg
ORDER diameter	15	18	14	16	17	18	19	100	81	82	83	84	85
50WQ10-15-1.1/QG	50	230	185	70	50	200	170	120	40	110	10	250	15



C.W.L.: minimum water level under continuous operation  
L.W.L.: minimum water level under possible operation

Nanfang Zhongjin Environment CO.,LTD. unit : mm