




| | | | |
|--|--|--------------|----------------------------|
|  | Product information 40WQ10-7-0.55W(I) | Manufacturer | CNP |
| | | Address | Yuhang District, Hangzhou, |
| Project Name | | Contact | 86-571-88637351 |
| | | Date | 2022/03/09 |
| Station Number | | Client Name | DPA |
| | | Client Addr. | |
| | | Contacts | Alireza |
| | | Contact | |

| | |
|-------------|-------------------|
| Product No. | 40WQ10-7-0.55W(I) |
|-------------|-------------------|

| | |
|---|--|
| Product picture(Note:the picture may not be the same as the | Series description |
|  | Single channel or double channel impeller.Auto-coupling system on request. |

| | |
|-------------------------------|-------------|
| Performance Data | |
| Rated flow(m ³ /h) | 10 |
| Rated head(m) | 7 |
| Efficiency(%) | 38.9 |
| Rated power(kW)(kW) | 0.48 |
| Rate Speed(rpm) | 2850 |
| technology | |
| Pump rotator speed | 2850 |
| Nameplate standards | CE |
| Material | |
| Impeller | HT200 |
| Pump shaft | 20cr13 |
| Rubber code | P |
| Pump case | HT200 |
| Installation | |
| Connection Code | F |
| Maximum Pressure/Temperatu | 6bar/40 |
| Flange Standard | DIN |
| Pressure Class | PN6 |
| Medium | |
| Medium Temperature | 40 |
| Maximum diameter of partic | 15 |
| Maximum Environment Temper | 40 |
| Structure dimension | |
| Standard | DN |
| Outlet size | DN40 |
| Motor | |
| Number of Motor Phase | Three Phase |
| Protection Class | IP68 |
| Insulation Class | F |
| Motor Power | 0.55 |
| Power Frequency | 50HZ |
| Rated Voltage (V) | 380V |
| Rated Current (A) | 1.2 |

| | | | |
|--|--|--------------|----------------------------|
|  | Product information 40WQ10-7-0.55W(I) | Manufacturer | CNP |
| | | Address | Yuhang District, Hangzhou, |
| | | Contact | 86-571-88637351 |
| | | Date | 2022/03/09 |
| Project Name | | Client Name | DPA |
| | | Client Addr. | |
| Station Number | | Contacts | Alireza |
| | | Contact | |

Starting mode direct boot

Seal

Mechanical Seal H-17

Others

Weight (kg) 23





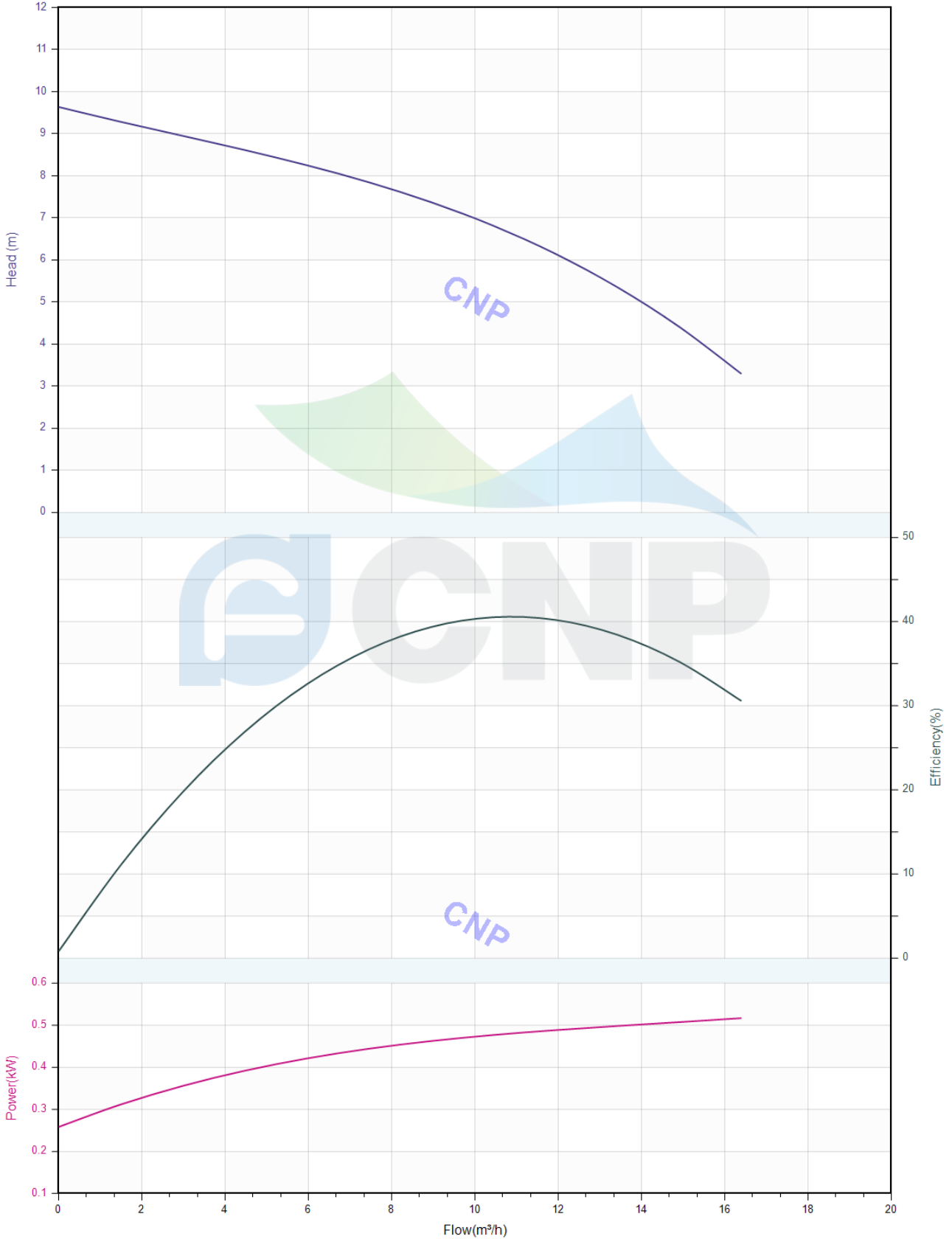
Performance Curve 40WQ10-7-0.55W(I)

| | |
|--------------|----------------------------|
| Manufacturer | CNP |
| Address | Yuhang District, Hangzhou, |
| Contact | 86-571-88637351 |
| Date | 2022/03/09 |
| Client Name | DPA |
| Client Addr. | |
| Contacts | Alireza |
| Contact | |

Project Name

Station Number

Medium Name Clear Water , Temperature 20°C, Density 1000kg/m³, Viscosity 1mm²/s, (ISO99062012 Grande 3B)





Pump technical parameters 40WQ10-7-0.55W(I)

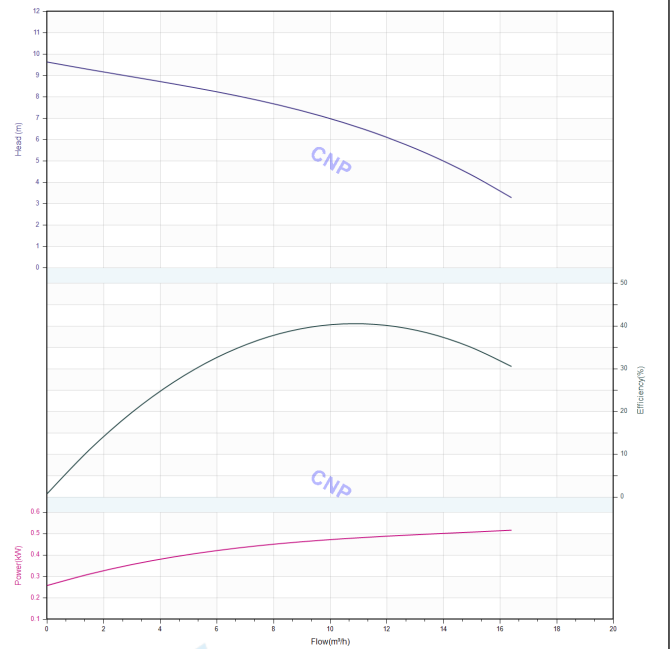
| | |
|--------------|----------------------------|
| Manufacturer | CNP |
| Address | Yuhang District, Hangzhou, |
| Contact | 86-571-88637351 |
| Date | 2022/03/09 |
| Client Name | DPA |
| Client Addr. | |
| Contacts | Alireza |
| Contact | |


Rated parameters

| | |
|-------------------------------|-------------------|
| Pump model | 40WQ10-7-0.55W(I) |
| Product No. | 40WQ10-7-0.55W(I) |
| Rated flow(m ³ /h) | 10 |
| Rated pressure(m) | 7 |
| Rated efficiency(%) | 38.9 |
| Power(kW) | 0.48 |
| Speed(rpm) | 2850 |

Medium

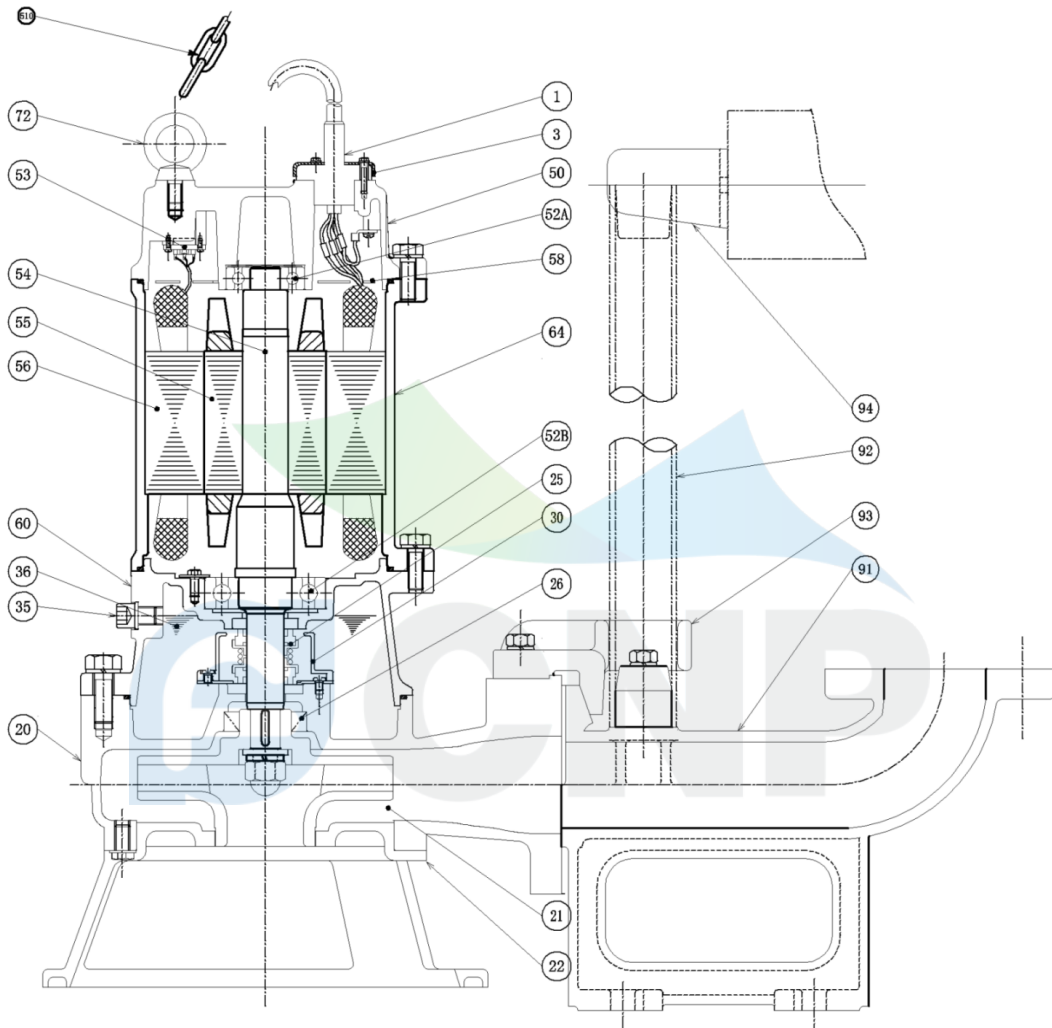
| | |
|------------------------------------|-------------|
| Medium Name | Clear Water |
| Working temperature(°C) | 20 |
| Medium density(kg/m ³) | 1000 |
| Viscosity(mm ² /s) | 1 |



| | | | |
|--|--|--------------|----------------------------|
|  | Structure picture 40WQ10-7-0.55W(I) | Manufacturer | CNP |
| | | Address | Yuhang District, Hangzhou, |
| Project Name | | Contact | 86-571-88637351 |
| | | Date | 2022/03/09 |
| Station Number | | Client Name | DPA |
| | | Client Addr. | |
| | | Contacts | Alireza |
| | | Contact | |

CNP Nanfang Zhongjin Environment Co., Ltd

| | | | |
|------|--------------------------|-------|--------------------|
| | STRUCTURE DRAWING | No. | No. |
| TYPE | submersible sewage pump | MODEL | WQ-0.55/0.75/1.1KW |



| order specifications | | | | | | | |
|----------------------|---------------------|--------|------------|-----|-------------------|--------|-------------------------|
| No. | names of parts | number | material | No. | names of parts | number | material |
| 1 | cable | 1 | YZW | 22 | water inlet cover | 1 | HT200 |
| 3 | cable cover | 1 | SUS304 | 20 | casing | 1 | HT200 |
| 50 | top cover | 1 | HT200 | 35 | oil filler plug | 1 | SUS304 |
| 52A | upper bearing | 1 | | 36 | machine oil 32# | | |
| 58 | cable transit board | 1 | PPS | 60 | lower cover | 1 | HT200 |
| 64 | base | 1 | HT200 | 56 | stator | 1 | |
| 52B | lower bearing | 1 | | 55 | rotor | 1 | |
| 25 | mechanical seal | 1 | Carbon/SIC | 54 | shaft | 1 | |
| 30 | oil lift | 1 | | 53 | thermal protector | 1 | |
| 26 | framework oil seal | 1 | NBRI-2 | 72 | eye bolt | 2 | 45#(forging galvanized) |
| 93 | guide hook | 1 | HT200 | 91 | water outlet base | 1 | HT200 |
| 21 | impeller | 1 | HT200 | 94 | guiding | 1 | HT200 |
| 510 | | 1 | SUS304 | 92 | pipe | 1 | SUS304(unaffiliated) |

Nanfang Zhongjin Environment CO.,LTD.

unit : mm



Installation picture

40WQ10-7-0.55W(I)

| | |
|--------------|----------------------------|
| Manufacturer | CNP |
| Address | Yuhang District, Hangzhou, |
| Contact | 86-571-88637351 |
| Date | 2022/03/09 |
| Client Name | DPA |
| Client Addr. | |
| Contacts | Alireza |
| Contact | |

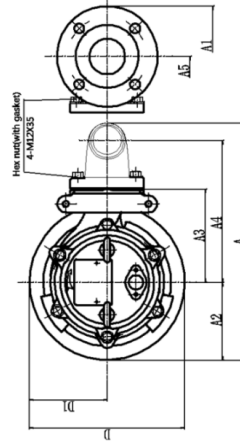
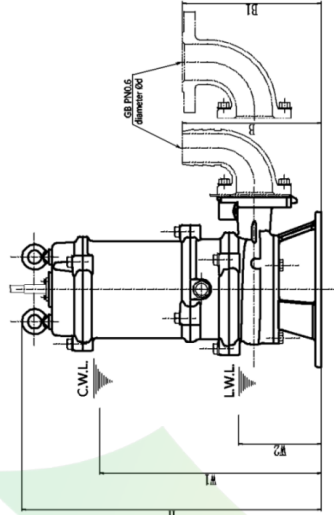
Project Name

Station Number

CNP Nanfang Zhongjin Environment Co., Ltd.

| DIMENSION DRAWING | | No. | No. |
|------------------------------|--|-------------|----------------|
| TYPE submersible sewage pump | | MODEL | 40WQ10-7-0.55W |
| MODEL | d A A1 A2 A3 A4 A5 B B1 B D D1 W1 W2 H | Body weight | 24kg |
| 40WQ10-7-0.55W | 40 322 379 108 130 153 206 189 189 216 108 285 128 420 | | |

| | | |
|----------|--------------|-------------|
| diameter | elbow weight | bend weight |
| 40 | 1kg | 2.5kg |

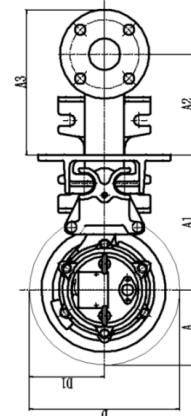
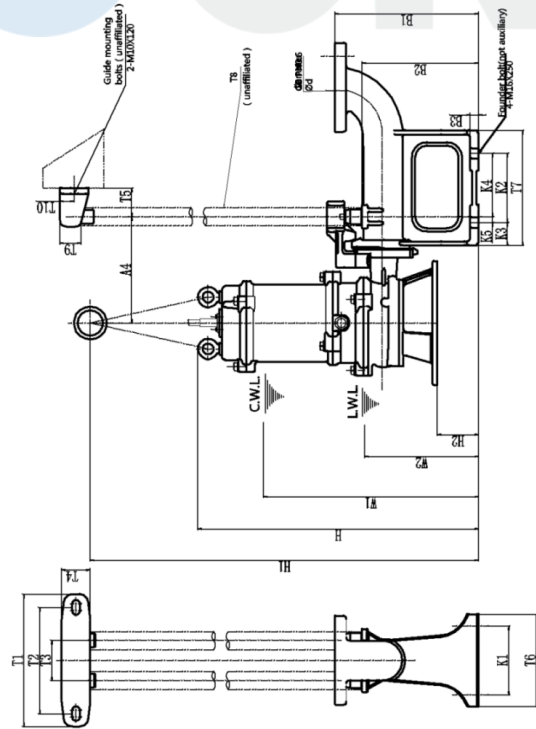


C.W.L.: minimum water level under continuous operation
L.W.L.: minimum water level under possible operation

Nanfang Zhongjin Environment CO.,LTD. unit : mm

CNP Nanfang Zhongjin Environment Co., Ltd.

| DIMENSION DRAWING | | No. | No. |
|------------------------------|---|----------------|----------------|
| TYPE submersible sewage pump | | MODEL | 40WQ10-7-0.55W |
| MODEL | A A1 A2 A3 A4 D D1 W1 W2 H H1 H2 | Body weight | 24kg |
| 40WQ10-7-0.55W | 108 235 57 122 185 216 108 350 160 451 851 37 | | |
| Order diameter | d H1 H2 B Y1 Y2 Y3 Y4 Y5 Y6 Y7 Y8 Y9 Y10 Y11 Y12 Y13 Y14 Y15 Y16 Y17 Y18 Y19 Y20 Y21 Y22 Y23 Y24 Y25 Y26 Y27 Y28 Y29 Y30 Y31 Y32 Y33 Y34 Y35 Y36 Y37 Y38 Y39 Y40 Y41 Y42 Y43 Y44 Y45 Y46 Y47 Y48 Y49 Y50 Y51 Y52 Y53 Y54 Y55 Y56 Y57 Y58 Y59 Y60 Y61 Y62 Y63 Y64 Y65 Y66 Y67 Y68 Y69 Y70 Y71 Y72 Y73 Y74 Y75 Y76 Y77 Y78 Y79 Y80 Y81 Y82 Y83 Y84 Y85 Y86 Y87 Y88 Y89 Y90 Y91 Y92 Y93 Y94 Y95 Y96 Y97 Y98 Y99 Y100 | Casting weight | 10kg |
| 40WQ10-7-0.55W | 40 230 185 70 50 50 140 149 177/246/3.5 35 25 100 95 27 72 23 200 163 12 | | |



C.W.L.: minimum water level under continuous operation
L.W.L.: minimum water level under possible operation

Nanfang Zhongjin Environment CO.,LTD. unit : mm