	Product Information 300WQ900-13-45(I)	Manufacturer	CNP
		Address	Yuhang District, Hangzhou, Zhejiang,
		Contact	86-571-88637351
		Date	2022/03/09
Project Name		Client Name	DPA
		Client Addr.	
Item NO		Contacts	Alireza
		Contact	

Part NO.	300WQ900-13-45
----------	----------------

Product Picture	Note
	<p>The sewage submersible pump is composed of two parts: the motor and the pump.</p> <p>The two are separated by an oil chamber and a mechanical seal assembly.</p> <p>Divided into fixed automatic coupling installation and mobile installation</p>

technology	
Pump rotator speed	983
Nameplate standards	CE
Material	
Impeller	HT200
Pump shaft	20cr13
Rubber code	P
Pump case	HT200
Installation	
Connection Code	F
Maximum Pressure/Temperatu	6bar/40
Flange Standard	DIN
Pressure Class	PN6
Medium	
Medium Temperature	40
Maximum diameter of partic	90
Maximum Environment Temper	40
Structure dimension	
Standard caliber	DN
Outlet Diameter	DN300
Motor	
Number of Motor Phase	Three Phase
Protection Class	IP68
Insulation Class	F
Motor Power	45
Power Frequency	50HZ
Rated Voltage (V)	380V
Rated Current (A)	84
Starting mode	Star delta boot
Seal	
Mechanical Seal	H-70
Others	
Weight (kg)	1039

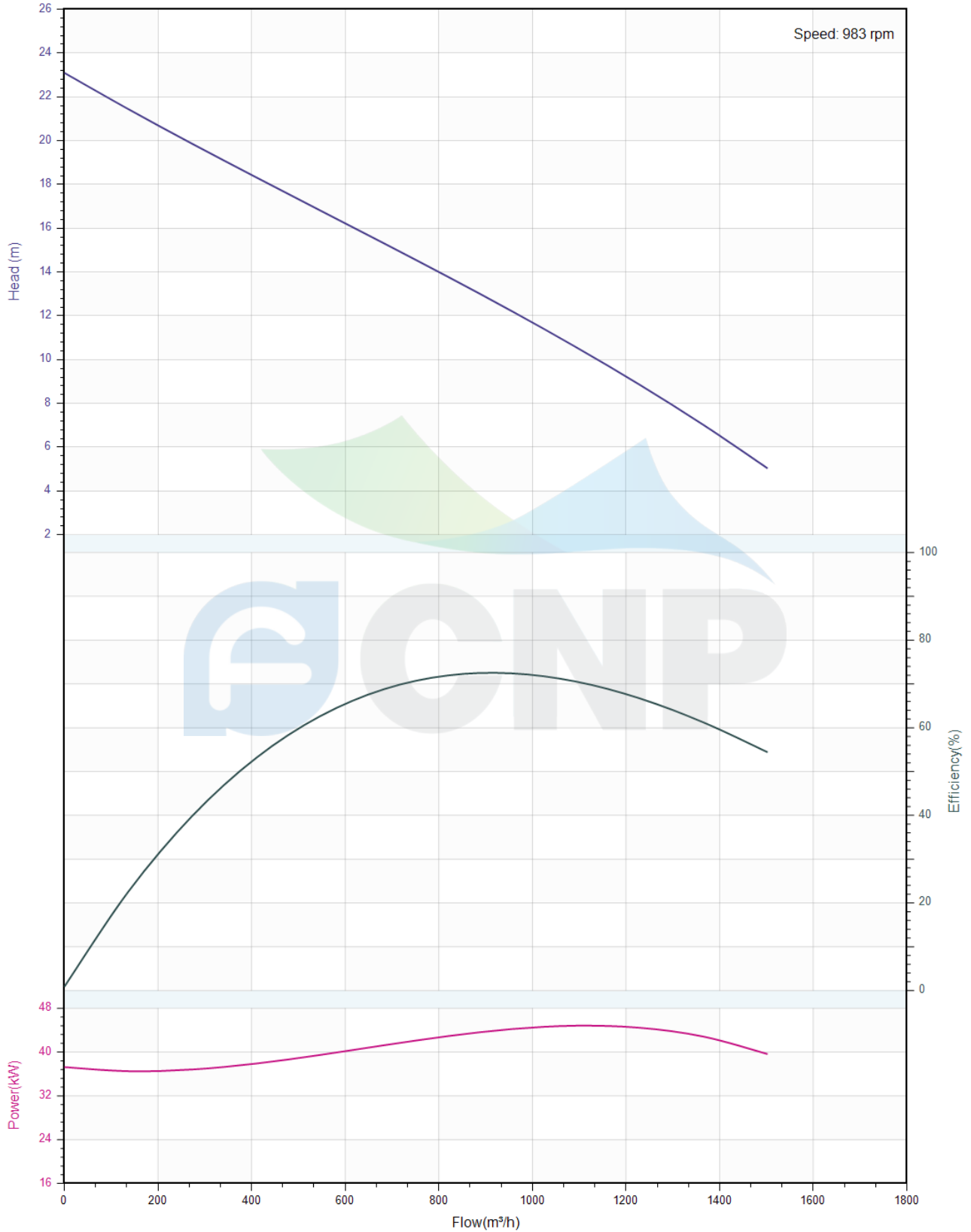


Performance Curve 300WQ900-13-45(I)

Manufacturer	CNP
Address	Yuhang District, Hangzhou, Zhejiang,
Contact	86-571-88637351
Date	2022/03/09
Client Name	DPA
Client Addr.	
Contacts	Alireza
Contact	

Project Name	
Item NO	

The hydraulic performance curve have been tested with Clean Water at 20°C, density 1000kg/m³, and at 1bar atmospheric pressure. ISO99062012 Grade 3B





Pump Technical Parameters 300WQ900-13-45(I)

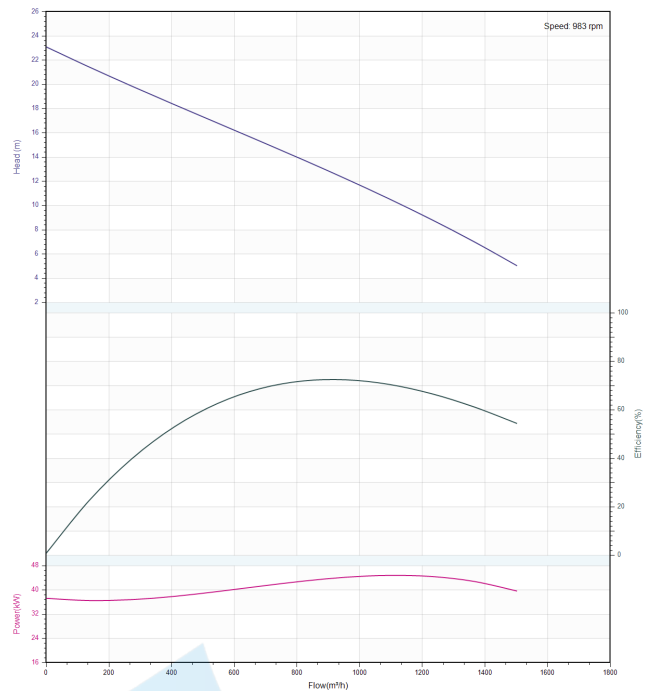
Manufacturer	CNP
Address	Yuhang District, Hangzhou, Zhejiang,
Contact	86-571-88637351
Date	2022/03/09
Client Name	DPA
Client Addr.	
Contacts	Alireza
Contact	


Rated parameters

Pump model	300WQ900-13-45(I)
Part NO.	300WQ900-13-45
Rated flow (m ³ /h)	900
Rated head (m)	13
Rated efficiency (%)	70
Power (kW)	45.5
NPSHr (m)	2
Speed (rpm)	983

Medium

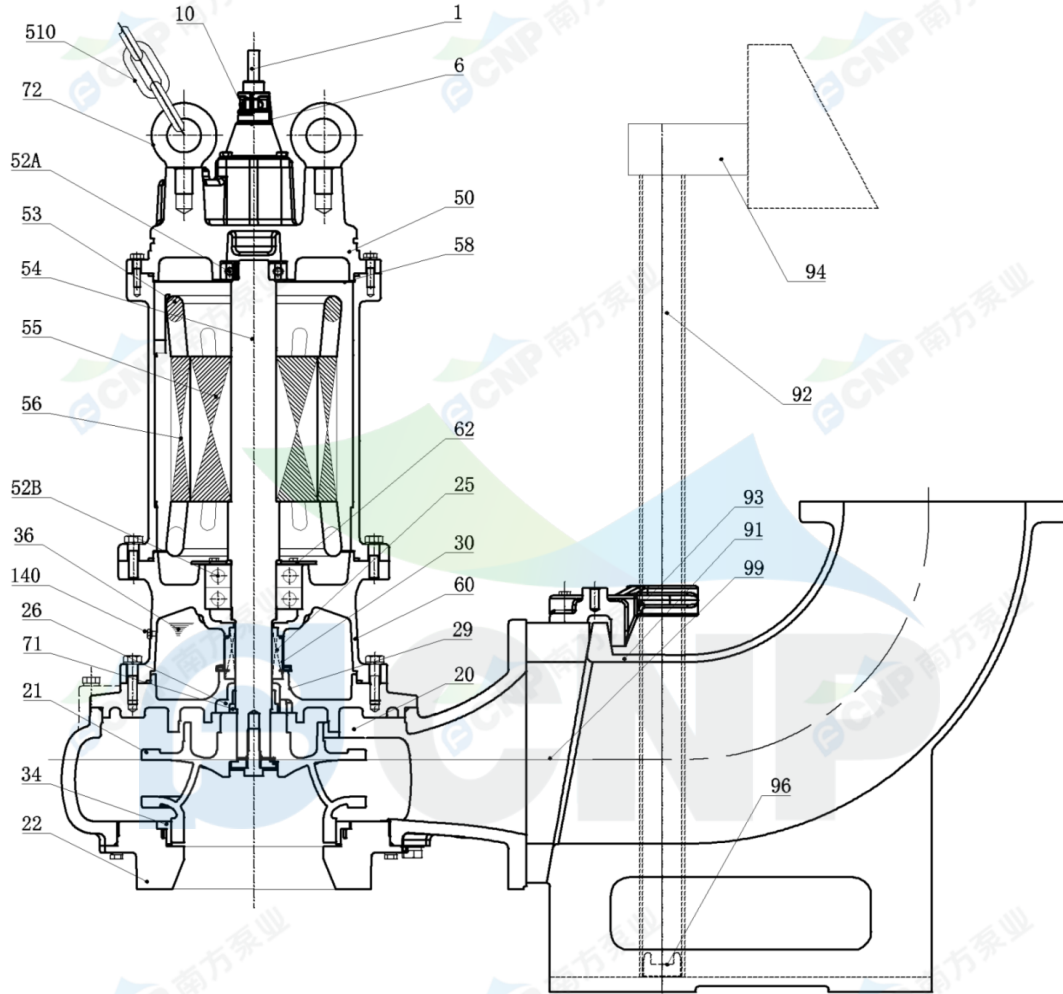
Pumped medium	Clean Water
Working temperature (°C)	20
Medium density (kg/m ³)	1000
Viscosity (mm ² /s)	1



	Structure picture 300WQ900-13-45(I)	Manufacturer	CNP
		Address	Yuhang District, Hangzhou, Zhejiang,
Project Name		Contact	86-571-88637351
		Date	2022/03/09
Item NO		Client Name	DPA
		Client Addr.	
		Contacts	Alireza
		Contact	

CNP Nanfang Zhongjin Environment Co., Ltd.

	SECTIONAL DRAWING	No.	No.
TYPE	submersible sewage pump	MODEL	45KW



order specifications

No.	names of parts	number	material	No.	names of parts	number	material
1	cable	2	YCW	54	shaft	1	2Cr13+45#
6	cable sleeve	2	HT200	55	rotor	1	
50	top cover	1	HT200	56	stator	1	
58	cable transit board	1	Q235	52B	lower bearing	2	
64	base	1	HT200	36	machine oil 32#		
62	Bearing cover	1	HT200	26	framework oil seal	3	NBR1-2
25	mechanical seal	1	Carbon/SiC	140	oil filler plug	2	SUS304
30	oil lift	1		71	Shaft sleeve	2	1Cr13
60	lower cover	1	HT200	21	impeller	1	HT200
29	Casingtop cover	1	HT200	22	water inlet cover	1	HT200
20	casing	1	HT200	34	Neck ring	2	HT200
510	lift chain	1	SUS304	94	guiding	1	Q235Steel plate
10	Cable lockblock	2	HT200	92	pipe	2	SUS304(unaffiliated)
72	eye bolt	2	45#(forging galvanized)	93	guide hook	1	QT600
52A	upper bearing	1		91	Discharge base	1	HT200
53	Mini-thermalprotector	1		99	Flange for coupling device	1	HT200
				96	Guiding fixing stopper	2	HT150

Nanfang Zhongjin Environment CO.,LTD.

unit: mm



Installation picture 300WQ900-13-45(I)

Manufacturer	CNP
Address	Yuhang District, Hangzhou, Zhejiang,
Contact	86-571-88637351
Date	2022/03/09
Client Name	DPA
Client Addr.	
Contacts	Alireza
Contact	

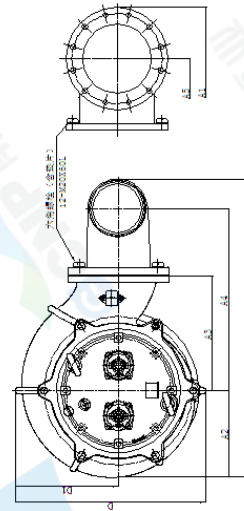
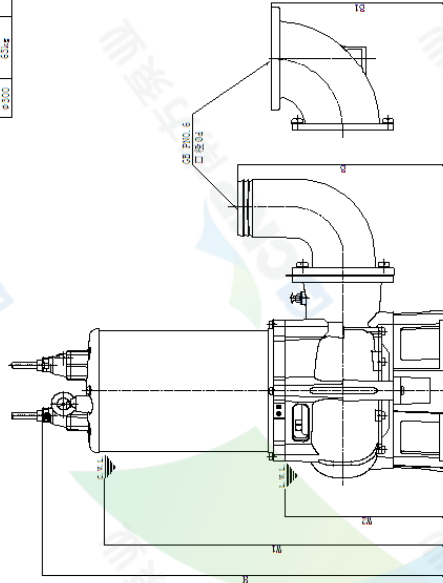
Project Name

Item NO

CNP 中金环境

安装外形尺寸 DIMENSION DRAWING		No.													
污水污物潜水泵		MODEL 型号	300WQ900-13-45-6												

型号	A	A1	A2	A3	A4	A5	F	B1	D	D1	W1	W2	H	总重量	
300WQ900-13-45-6	300	11382	14115	376	500	834	814	1002	772	830	450	1470	715	1172	1009kg
	±0.5													±1.5kg	



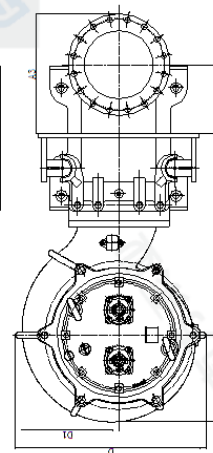
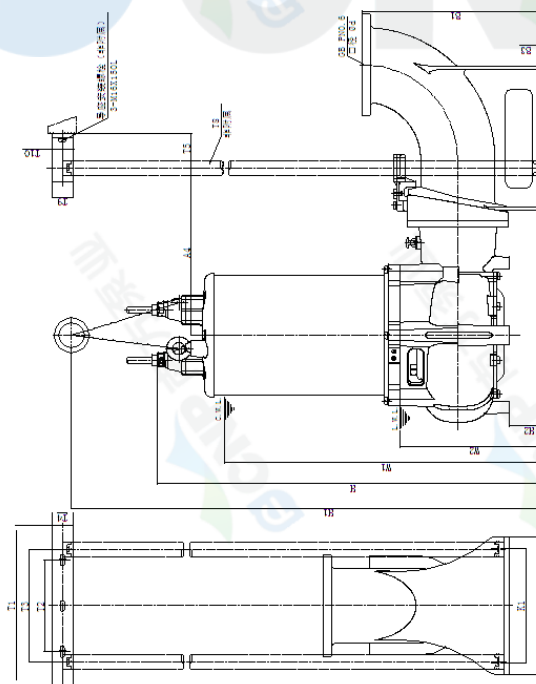
C.W.L.: 连续运行最低水位
L.W.L.: 可能运行最低水位

南方中金环境股份有限公司 Nanfang Zhongjin Environment Co., LTD. unit: mm

CNP 中金环境

安装外形尺寸 DIMENSION DRAWING		No.													
污水污物潜水泵		MODEL 型号	300WQ900-13-45-6												

型号	A	A1	A2	A3	A4	J	D1	W1	W2	H	H1	H2	H	总重量
300WQ900-13-45-6	376	877	300	1522.5	727	830	450	1400	648	1705	2705	173	1039kg	
	±0.5												±0.5kg	



C.W.L.: 连续运行最低水位
L.W.L.: 可能运行最低水位

南方中金环境股份有限公司 Nanfang Zhongjin Environment Co., LTD. unit: mm