	Product Information 300WQ800-20-75(I)	Manufacturer	CNP
		Address	Yuhang District, Hangzhou, Zhejiang,
		Contact	86-571-88637351
		Date	2022/03/09
Project Name		Client Name	DPA
		Client Addr.	
Item NO		Contacts	Alireza
		Contact	

Part NO.	300WQ800-20-75(I)
----------	-------------------

Product Picture	Note
	<p>The sewage submersible pump is composed of two parts: the motor and the pump.</p> <p>The two are separated by an oil chamber and a mechanical seal assembly.</p> <p>Divided into fixed automatic coupling installation and mobile installation</p>

technology	
Pump rotator speed	1450
Nameplate standards	CE
Material	
Impeller	HT200
Pump shaft	20cr13
Rubber code	P
Pump case	HT200
Installation	
Connection Code	F
Maximum Pressure/Temperatur	6bar/40
Flange Standard	DIN
Pressure Class	PN6
Medium	
Medium Temperature	40
Maximum diameter of partic	60
Maximum Environment Temper	40
Structure dimension	
Standard caliber	DN
Outlet Diameter	DN300
Motor	
Number of Motor Phase	Three Phase
Protection Class	IP68
Insulation Class	F
Motor Power	75
Power Frequency	50HZ
Rated Voltage (V)	380V
Rated Current (A)	142
Starting mode	Star delta boot
Seal	
Mechanical Seal	H-70
Others	
Weight (kg)	956



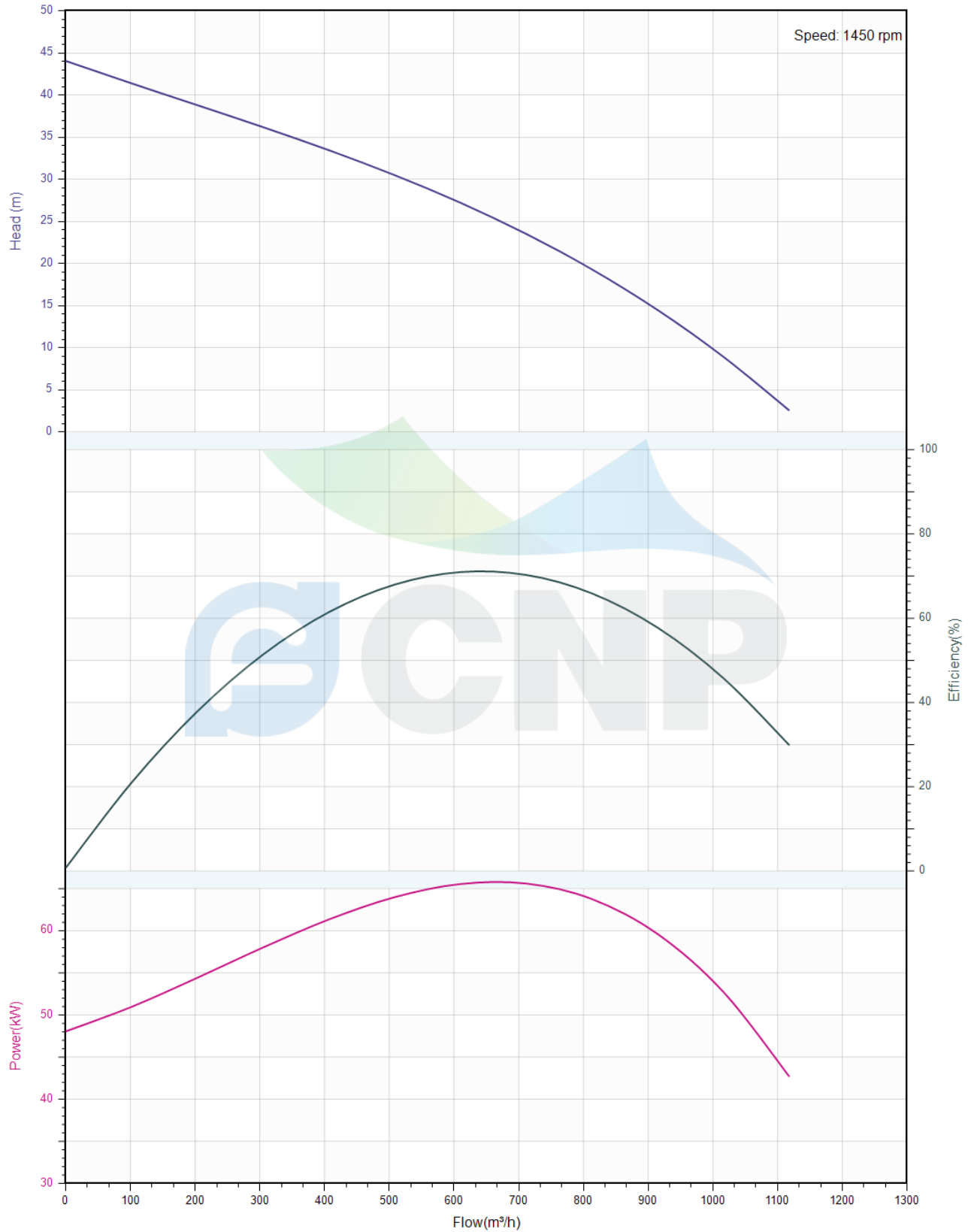
Performance Curve 300WQ800-20-75(I)

Manufacturer	CNP
Address	Yuhang District, Hangzhou, Zhejiang,
Contact	86-571-88637351
Date	2022/03/09
Client Name	DPA
Client Addr.	
Contacts	Alireza
Contact	

Project Name

Item NO

The hydraulic performance curve have been tested with Clean Water at 20°C, density 1000kg/m³, and at 1bar atmospheric pressure. ISO99062012 Grade 3B





Pump Technical Parameters 300WQ800-20-75(I)

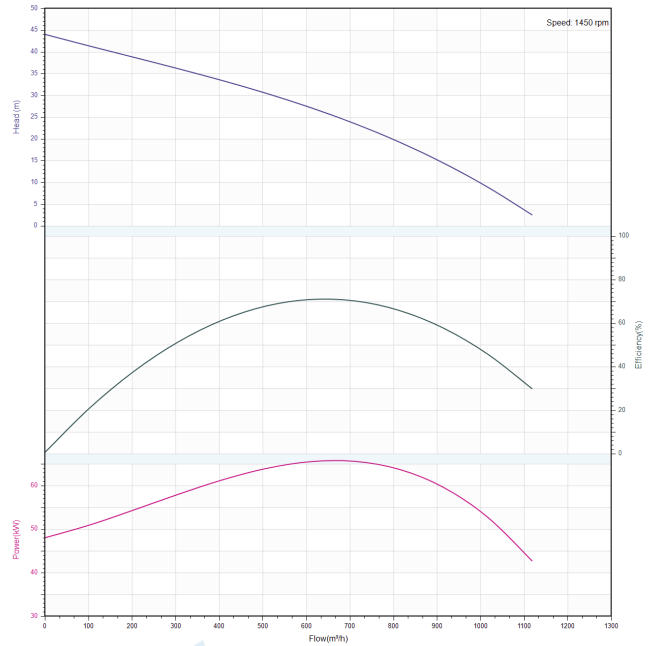
Manufacturer	CNP
Address	Yuhang District, Hangzhou, Zhejiang,
Contact	86-571-88637351
Date	2022/03/09
Client Name	DPA
Client Addr.	
Contacts	Alireza
Contact	


Rated parameters


Pump model	300WQ800-20-75(I)
Part NO.	300WQ800-20-75(I)
Rated flow (m ³ /h)	800
Rated head (m)	20
Rated efficiency (%)	68.5
Power (kW)	66.921
Speed (rpm)	1450

Medium

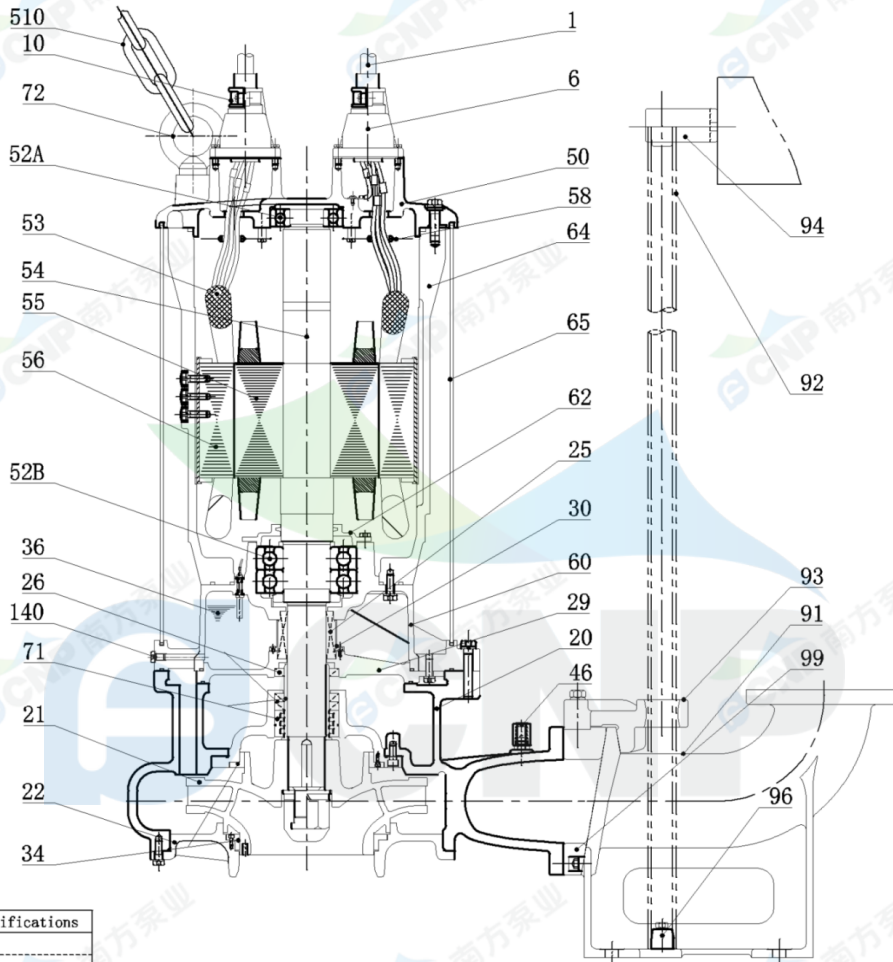
Pumped medium	Clean Water
Working temperature (°C)	20
Medium density (kg/m ³)	1000
Viscosity (mm ² /s)	1



	Structure picture 300WQ800-20-75(I)	Manufacturer	CNP
		Address	Yuhang District, Hangzhou, Zhejiang,
Project Name		Contact	86-571-88637351
		Date	2022/03/09
Item NO		Client Name	DPA
		Client Addr.	
		Contacts	Alireza
		Contact	

 **CNP Nanfang Zhongjin Environment Co., Ltd.**

	SECTIONAL DRAWING	No.	No.
TYPE	submersible sewage pump	MODEL	WQ-55/75kW



order specifications

No.	names of parts	number	material	No.	names of parts	number	material
1	cable	2	YCW	54	shaft	1	2Cr13
6	cable sleeve	2	HT200	55	rotor	1	
50	top cover	1	HT200	56	stator	1	
58	cable transit board	1	Q235	52B	lower bearing	2	
64	base	1	HT200	36	machine oil 32#		
65	Water proof cover	1	Q235	26	framework oil seal	3	NBRI-2
62	Bearing cover	1	HT200	140	oil filler plug	2	SUS304
25	mechanical seal	1	Carbon/SIC	71	Shaft sleeve	2	1Cr13
30	oil lift	1		21	impeller	1	HT200
60	lower cover	1	HT200	22	water inlet cover	1	HT200
29	Casingtop cover	1	HT200	34	Neck ring	2	HT200
20	casing	1	HT200	94	guiding	1	Q235Steel board
46	Air release bolt	2	SUS304	92	pipe	2	SUS304(unaffiliated)
510	lift chain	1	SUS304	93	guide hook	1	QT600
10	Cable lockblock	2	HT200	91	water outlet base	1	HT200
72	eye bolt	2	45#(forging galvanized)	99	coupling flange	1	HT200
52A	upper bearing	1		96	guide plug	2	HT150
53	Mini-thermalprotector	1		0			

Nanfang Zhongjin Environment CO.,LTD.

unit: mm



Installation picture 300WQ800-20-75(I)

Manufacturer	CNP
Address	Yuhang District, Hangzhou, Zhejiang,
Contact	86-571-88637351
Date	2022/03/09
Client Name	DPA
Client Addr.	
Contacts	Alireza
Contact	

Project Name

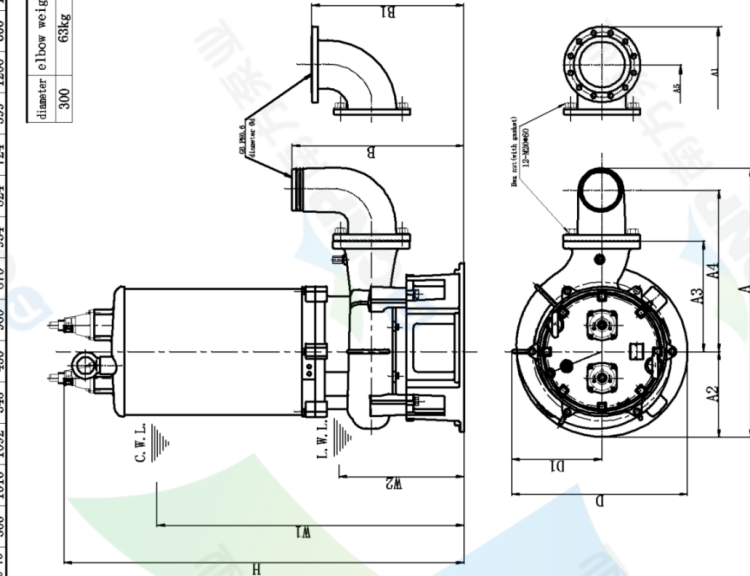
Item NO

CNP Nanfang Zhongjin Environment Co., Ltd.

DIMENSION DRAWING		No.	No.
TYPE		MODEL	
submersible sewage pump		300WQ800-20-75	

MODEL	d	A	A1	A2	A3	A4	A5	B	B1	D	D1	W1	W2	H	Body weight
300WQ800-20-75	300	1010	1092	345	450	960	870	934	824	724	399	1200	600	1605	956kg

diameter	elbow weight	bend weight
300	63kg	81.5kg



C.W.L. :minimum water level under continuous operation

L.W.L. :minimum water level under possible operation

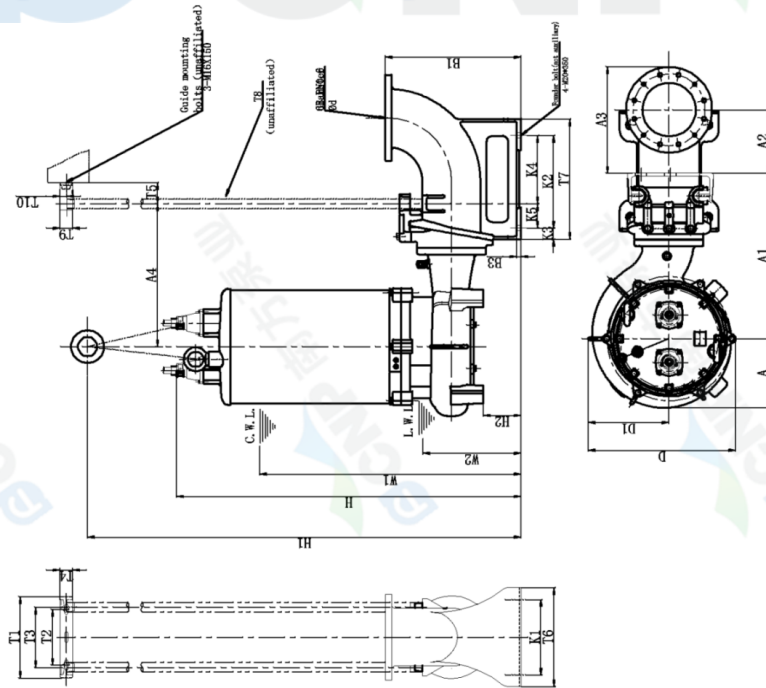
unit: mm

Nanfang Zhongjin Environment CO.,LTD.

CNP Nanfang Zhongjin Environment Co., Ltd.

DIMENSION DRAWING		No.	No.
TYPE		MODEL	
submersible sewage pump		300WQ800-20-75	

MODEL	A	A1	A2	A3	A4	B	D1	W1	W2	H	H1	H2	Body weight
300WQ800-20-75	345	988	500	623	788	725	400	1470	540	1555	2555	230	956kg
300WQ800-20-75	460	1400	800	1150	1300	1000	470	1300	1300	1300	1300	230	956kg



C.W.L. :minimum water level under continuous operation

L.W.L. :minimum water level under possible operation

unit: mm

Nanfang Zhongjin Environment CO.,LTD.