



| | | | |
|--|--|--------------|--------------------------------------|
|  | Product Information 200WQ350-40-75(I) | Manufacturer | CNP |
| | | Address | Yuhang District, Hangzhou, Zhejiang, |
| | | Contact | 86-571-88637351 |
| | | Date | 2022/03/09 |
| Project Name | | Client Name | DPA |
| | | Client Addr. | |
| Item NO | | Contacts | Alireza |
| | | Contact | |

| | |
|----------|-------------------|
| Part NO. | 200WQ350-40-75(I) |
|----------|-------------------|

| Product Picture | Note |
|---|---|
|  | <p>The sewage submersible pump is composed of two parts: the motor and the pump.</p> <p>The two are separated by an oil chamber and a mechanical seal assembly.</p> <p>Divided into fixed automatic coupling installation and mobile installation</p> |

| | |
|-----------------------------|-------------|
| technology | |
| Pump rotator speed | 1480 |
| Nameplate standards | CE |
| Material | |
| Impeller | HT200 |
| Pump shaft | 20cr13 |
| Rubber code | P |
| Pump case | HT200 |
| Installation | |
| Connection Code | F |
| Maximum Pressure/Temperatur | 6bar/40 |
| Flange Standard | DIN |
| Pressure Class | PN6 |
| Medium | |
| Medium Temperature | 40 |
| Maximum diameter of partic | 40 |
| Maximum Environment Temper | 40 |
| Structure dimension | |
| Standard caliber | DN |
| Outlet Diameter | DN200 |
| Motor | |
| Number of Motor Phase | Three Phase |
| Protection Class | IP68 |
| Insulation Class | F |
| Motor Power | 75 |
| Power Frequency | 50HZ |
| Rated Voltage (V) | 380V |
| Rated Current (A) | 142 |
| Starting mode | direct boot |
| Seal | |
| Mechanical Seal | H-70 |
| Others | |
| Weight (kg) | 919 |

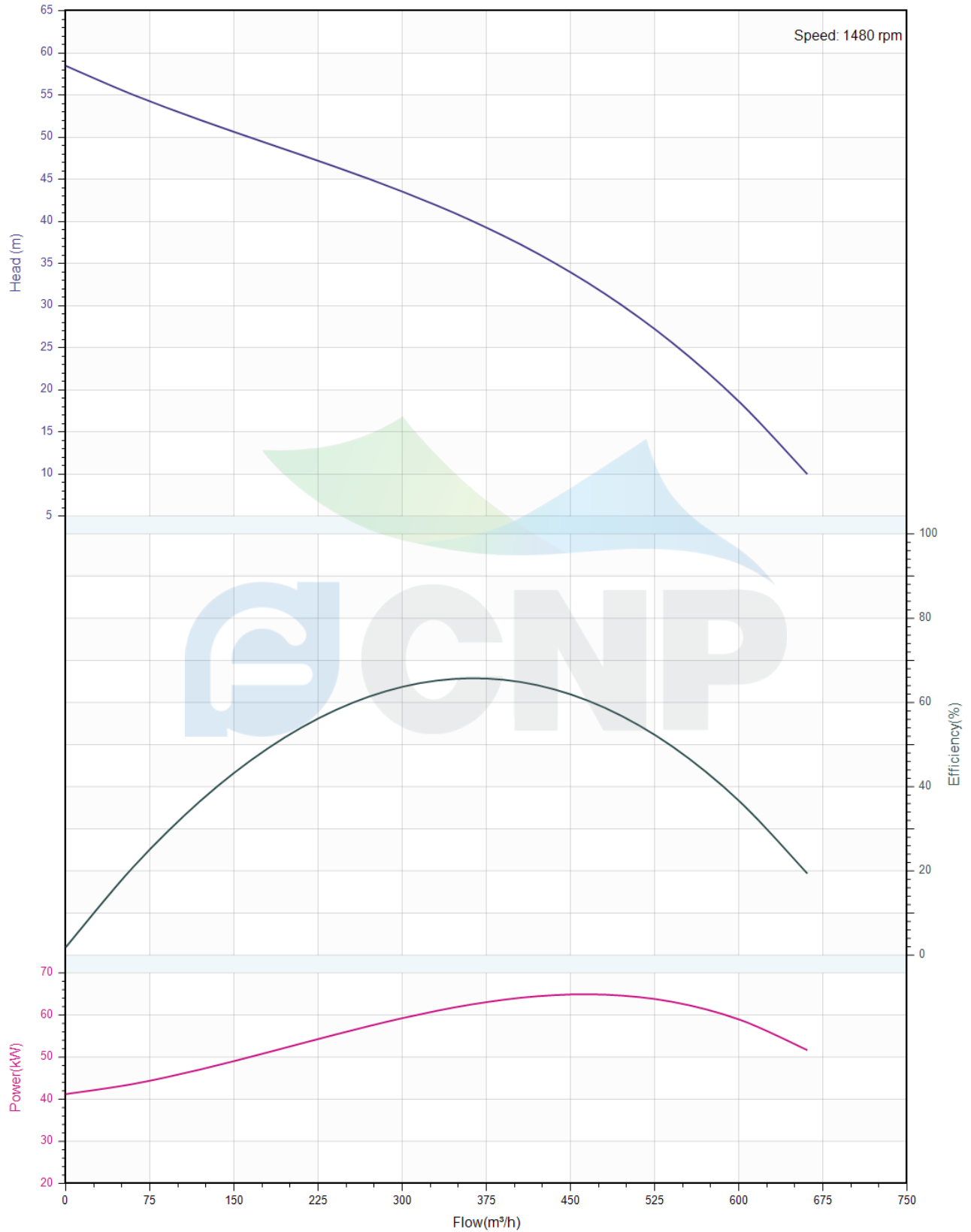


Performance Curve 200WQ350-40-75(I)

| | |
|--------------|--------------------------------------|
| Manufacturer | CNP |
| Address | Yuhang District, Hangzhou, Zhejiang, |
| Contact | 86-571-88637351 |
| Date | 2022/03/09 |
| Client Name | DPA |
| Client Addr. | |
| Contacts | Alireza |
| Contact | |

| | |
|--------------|--|
| Project Name | |
| Item NO | |

The hydraulic performance curve have been tested with Clean Water at 20°C, density 1000kg/m³, and at 1bar atmospheric pressure. ISO99062012 Grade 3B





Pump Technical Parameters 200WQ350-40-75(I)

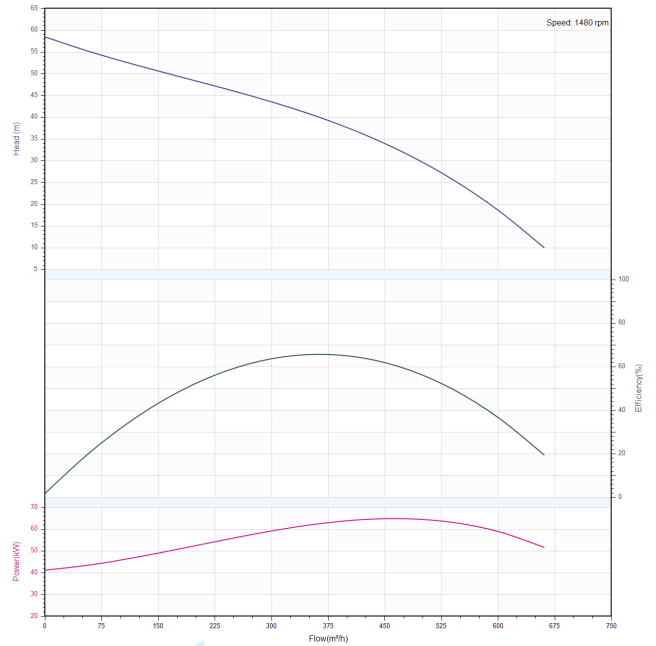
| | |
|--------------|--------------------------------------|
| Manufacturer | CNP |
| Address | Yuhang District, Hangzhou, Zhejiang, |
| Contact | 86-571-88637351 |
| Date | 2022/03/09 |
| Client Name | DPA |
| Client Addr. | |
| Contacts | Alireza |
| Contact | |


Rated parameters


| | |
|--------------------------------|-------------------|
| Pump model | 200WQ350-40-75(I) |
| Part NO. | 200WQ350-40-75(I) |
| Rated flow (m ³ /h) | 350 |
| Rated head (m) | 40 |
| Rated efficiency (%) | 66 |
| Power (kW) | 61.364 |
| Speed (rpm) | 1480 |

Medium

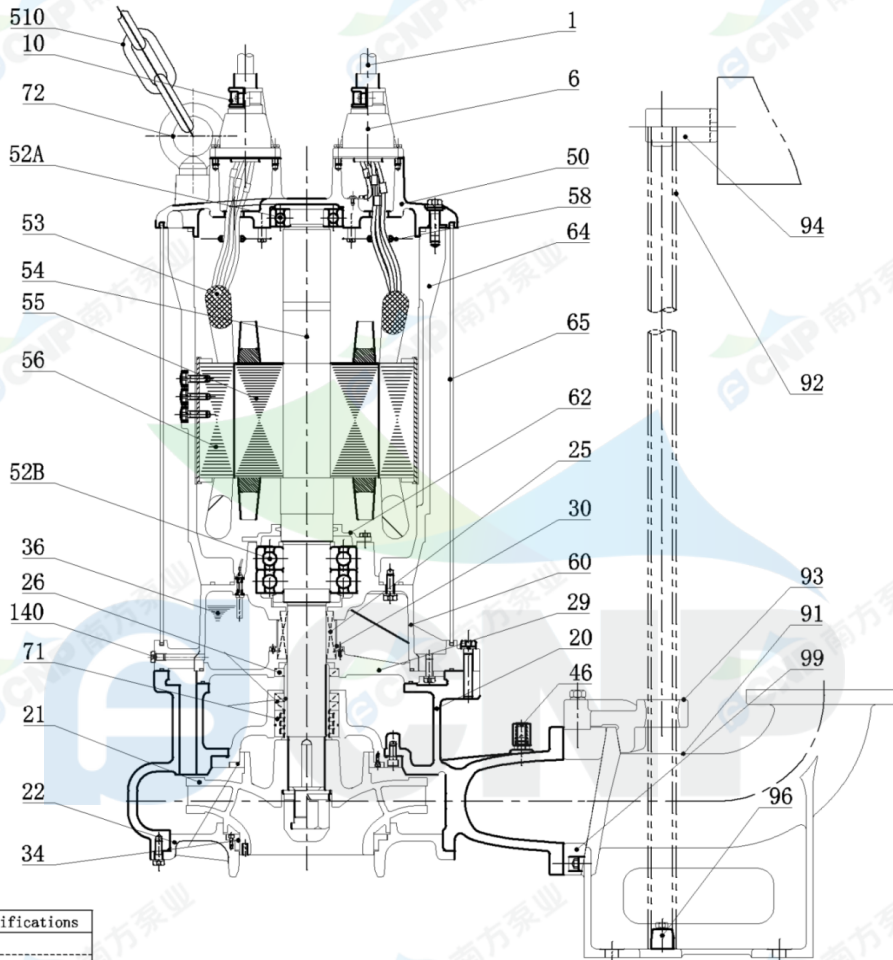
| | |
|-------------------------------------|-------------|
| Pumped medium | Clean Water |
| Working temperature (°C) | 20 |
| Medium density (kg/m ³) | 1000 |
| Viscosity (mm ² /s) | 1 |



| | | | |
|--|--|--------------|--------------------------------------|
|  | Structure picture 200WQ350-40-75(I) | Manufacturer | CNP |
| | | Address | Yuhang District, Hangzhou, Zhejiang, |
| Project Name | | Contact | 86-571-88637351 |
| | | Date | 2022/03/09 |
| Item NO | | Client Name | DPA |
| | | Client Addr. | |
| | | Contacts | Alireza |
| | | Contact | |

 **CNP Nanfang Zhongjin Environment Co., Ltd.**

| | | | |
|------|-------------------------|-------|------------|
| | SECTIONAL DRAWING | No. | No. |
| TYPE | submersible sewage pump | MODEL | WQ-55/75kW |



order specifications

| No. | names of parts | number | material | No. | names of parts | number | material |
|-----|-----------------------|--------|-------------------------|-----|--------------------|--------|----------------------|
| 1 | cable | 2 | YCW | 54 | shaft | 1 | 2Cr13 |
| 6 | cable sleeve | 2 | HT200 | 55 | rotor | 1 | |
| 50 | top cover | 1 | HT200 | 56 | stator | 1 | |
| 58 | cable transit board | 1 | Q235 | 52B | lower bearing | 2 | |
| 64 | base | 1 | HT200 | 36 | machine oil 32# | | |
| 65 | Water proof cover | 1 | Q235 | 26 | framework oil seal | 3 | NBRI-2 |
| 62 | Bearing cover | 1 | HT200 | 140 | oil filler plug | 2 | SUS304 |
| 25 | mechanical seal | 1 | Carbon/SIC | 71 | Shaft sleeve | 2 | 1Cr13 |
| 30 | oil lift | 1 | | 21 | impeller | 1 | HT200 |
| 60 | lower cover | 1 | HT200 | 22 | water inlet cover | 1 | HT200 |
| 29 | Casingtop cover | 1 | HT200 | 34 | Neck ring | 2 | HT200 |
| 20 | casing | 1 | HT200 | 94 | guiding | 1 | Q235Steel board |
| 46 | Air release bolt | 2 | SUS304 | 92 | pipe | 2 | SUS304(unaffiliated) |
| 510 | lift chain | 1 | SUS304 | 93 | guide hook | 1 | QT600 |
| 10 | Cable lockblock | 2 | HT200 | 91 | water outlet base | 1 | HT200 |
| 72 | eye bolt | 2 | 45#(forging galvanized) | 99 | coupling flange | 1 | HT200 |
| 52A | upper bearing | 1 | | 96 | guide plug | 2 | HT150 |
| 53 | Mini-thermalprotector | 1 | | 0 | | | |

Nanfang Zhongjin Environment CO.,LTD.

unit: mm



Installation picture 200WQ350-40-75(I)

| | |
|--------------|--------------------------------------|
| Manufacturer | CNP |
| Address | Yuhang District, Hangzhou, Zhejiang, |
| Contact | 86-571-88637351 |
| Date | 2022/03/09 |
| Client Name | DPA |
| Client Addr. | |
| Contacts | Alireza |
| Contact | |

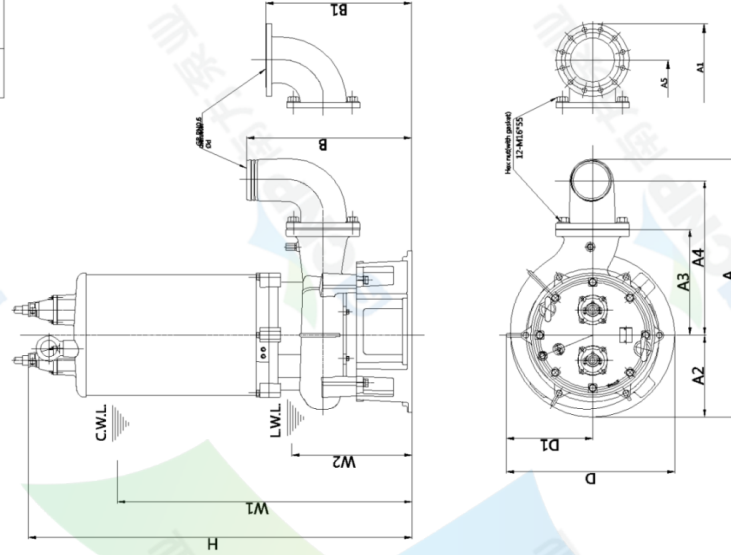
Project Name

Item NO

CNP Nanfang Zhongjin Environment Co., Ltd.

| | | | | | | | | | | | | | | | |
|-------------------|-----|-------------------------|------|-------|-----|----------------|-----|-----|-----|-----|-----|------|-----|------|-------------|
| DIMENSION DRAWING | | No. | | | | | | | | | | | No. | | |
| TYPE | | submersible sewage pump | | MODEL | | 200WQ350-40-75 | | | | | | | | | |
| MODEL | d | A | A1 | A2 | A3 | A4 | A5 | B | B1 | D | D1 | W1 | W2 | H | Body weight |
| 200WQ350-40-75 | 200 | 1144 | 1188 | 350 | 460 | 693 | 673 | 716 | 597 | 722 | 372 | 1370 | 600 | 1663 | 940kg |

| | |
|--------------|--------|
| diameter | 200 |
| elbow weight | 28.5kg |
| bend weight | 33kg |



C.W.L.: minimum water level under continuous operation

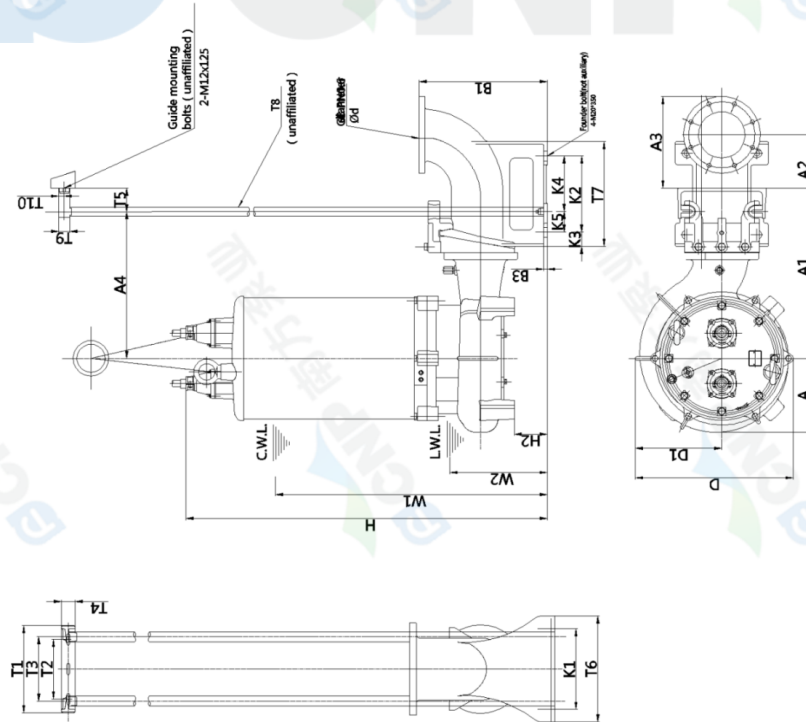
L.W.L.: minimum water level under possible operation

unit : mm

Nantfang Zhongjin Environment CO.,LTD.

CNP Nanfang Zhongjin Environment Co., Ltd.

| | | | | | | | | | | | | | | | | | | | |
|-------------------|-----|-------------------------|-----|-------|----|----------------|-----|------|-------------|------|------|-----|-------------|----|-----|-----|-----|----|-----------------|
| DIMENSION DRAWING | | No. | | | | | | | | | | | No. | | | | | | |
| TYPE | | submersible sewage pump | | MODEL | | 200WQ350-40-75 | | | | | | | | | | | | | |
| MODEL | A | A1 | A2 | A3 | A4 | D | D1 | W1 | W2 | H | H1 | H2 | Body weight | | | | | | |
| 200WQ350-40-75 | 321 | 751 | 73 | 74 | 15 | 76 | 376 | 1250 | 490 | 1577 | 2577 | 154 | 940kg | | | | | | |
| diameter | g | T1 | T2 | T3 | T4 | T5 | T6 | T7 | T8 | T9 | T10 | K1 | K2 | K3 | K4 | K5 | B1 | B2 | Counting weight |
| 200WQ350-40-75 | 200 | 380 | 260 | 280 | 60 | 100 | 400 | 450 | 1.5 (500x4) | 60 | 30 | 300 | 350 | 50 | 250 | 100 | 550 | 15 | 86kg |



C.W.L.: minimum water level under continuous operation

L.W.L.: minimum water level under possible operation

unit : mm

Nantfang Zhongjin Environment CO.,LTD.