
	Product Information 200WQ300-10-15W(I)	Manufacturer	CNP
		Address	Yuhang District, Hangzhou, Zhejiang,
Project Name		Contact	86-571-88637351
		Date	2022/03/09
Item NO		Client Name	DPA
		Client Addr.	
		Contacts	Alireza
		Contact	

Part NO.	200WQ300-10-15W(I)
----------	--------------------

Product Picture	Note
	<p>The sewage submersible pump is composed of two parts: the motor and the pump.</p> <p>The two are separated by an oil chamber and a mechanical seal assembly.</p> <p>Divided into fixed automatic coupling installation and mobile installation</p>

technology	
Pump rotator speed	1440
Nameplate standards	CE
Material	
Impeller	HT200
Pump shaft	20cr13
Rubber code	P
Pump case	HT200
Installation	
Connection Code	F
Maximum Pressure/Temperatu	6bar/40
Flange Standard	DIN
Pressure Class	PN6
Medium	
Medium Temperature	40
Maximum diameter of partic	64
Maximum Environment Temper	40
Structure dimension	
Standard caliber	DN
Outlet Diameter	DN200
Motor	
Number of Motor Phase	Three Phase
Protection Class	IP68
Insulation Class	F
Motor Power	15
Power Frequency	50HZ
Rated Voltage (V)	380V
Rated Current (A)	30.6
Starting mode	direct boot
Seal	
Mechanical Seal	H-50
Others	
Weight (kg)	230



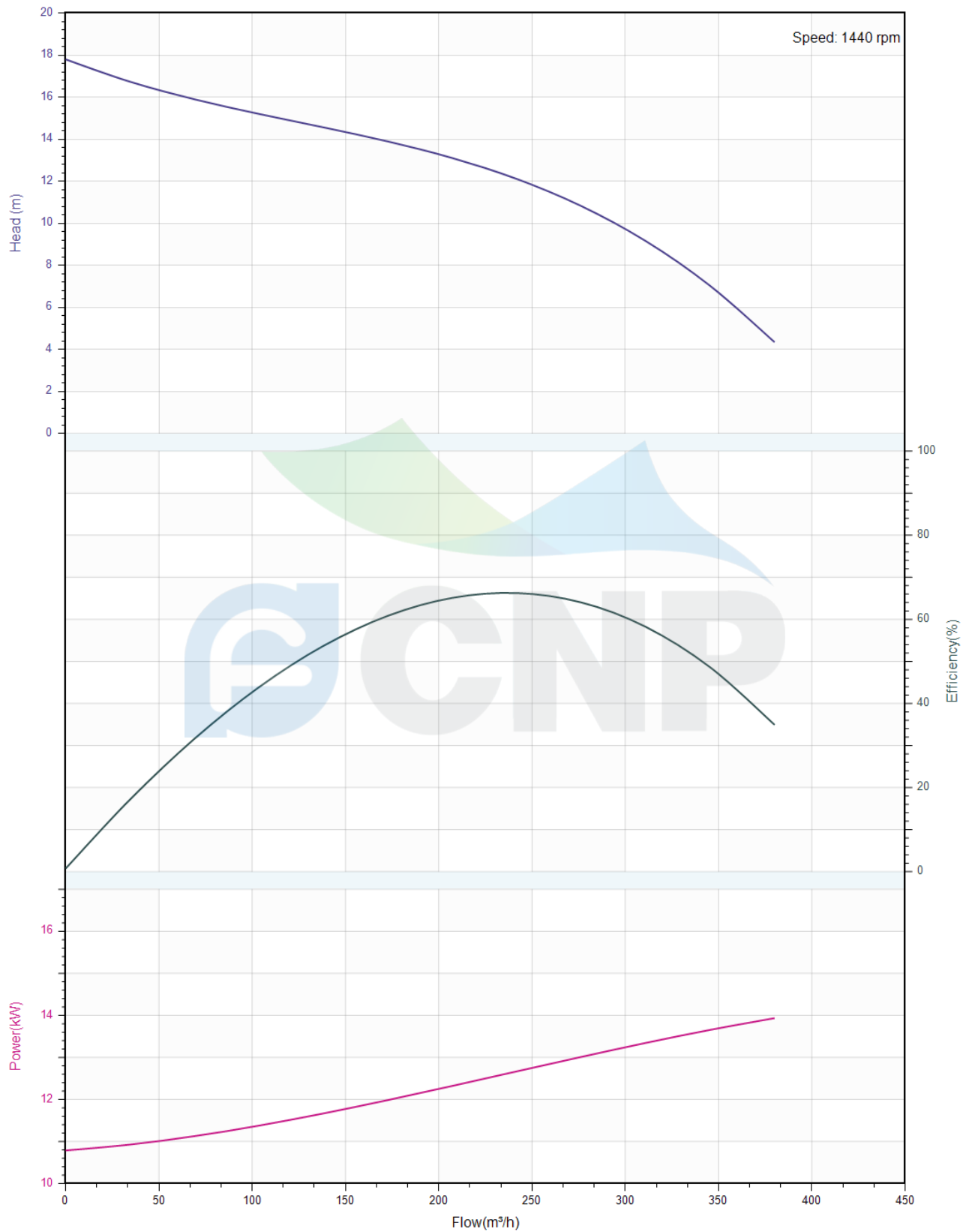
Performance Curve 200WQ300-10-15W(I)

Manufacturer	CNP
Address	Yuhang District, Hangzhou, Zhejiang,
Contact	86-571-88637351
Date	2022/03/09
Client Name	DPA
Client Addr.	
Contacts	Alireza
Contact	

Project Name

Item NO

The hydraulic performance curve have been tested with Clean Water at 20°C, density 1000kg/m³, and at 1bar atmospheric pressure. ISO99062012 Grade 3B





Pump Technical Parameters 200WQ300-10-15W(I)

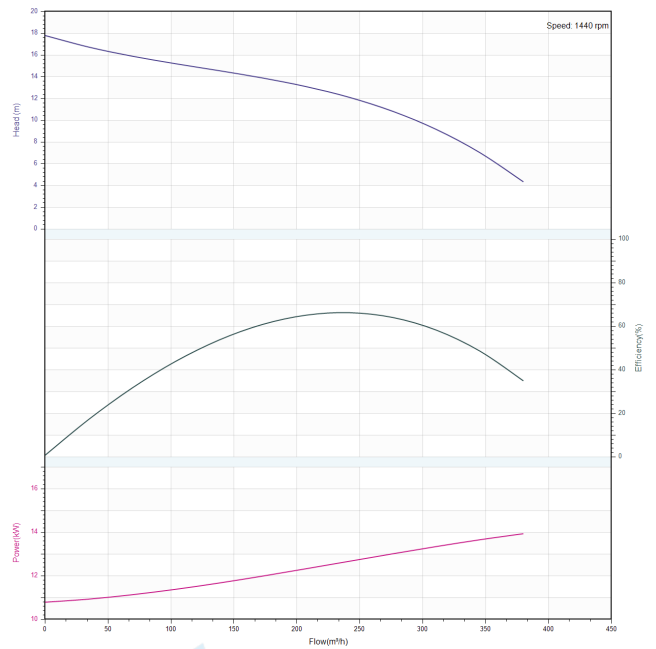
Manufacturer	CNP
Address	Yuhang District, Hangzhou, Zhejiang,
Contact	86-571-88637351
Date	2022/03/09
Client Name	DPA
Client Addr.	
Contacts	Alireza
Contact	


Rated parameters

Pump model	200WQ300-10-15W(I)
Part NO.	200WQ300-10-15W(I)
Rated flow (m ³ /h)	300
Rated head (m)	10
Rated efficiency (%)	62.7
Power (kW)	13.76
Speed (rpm)	1440

Medium

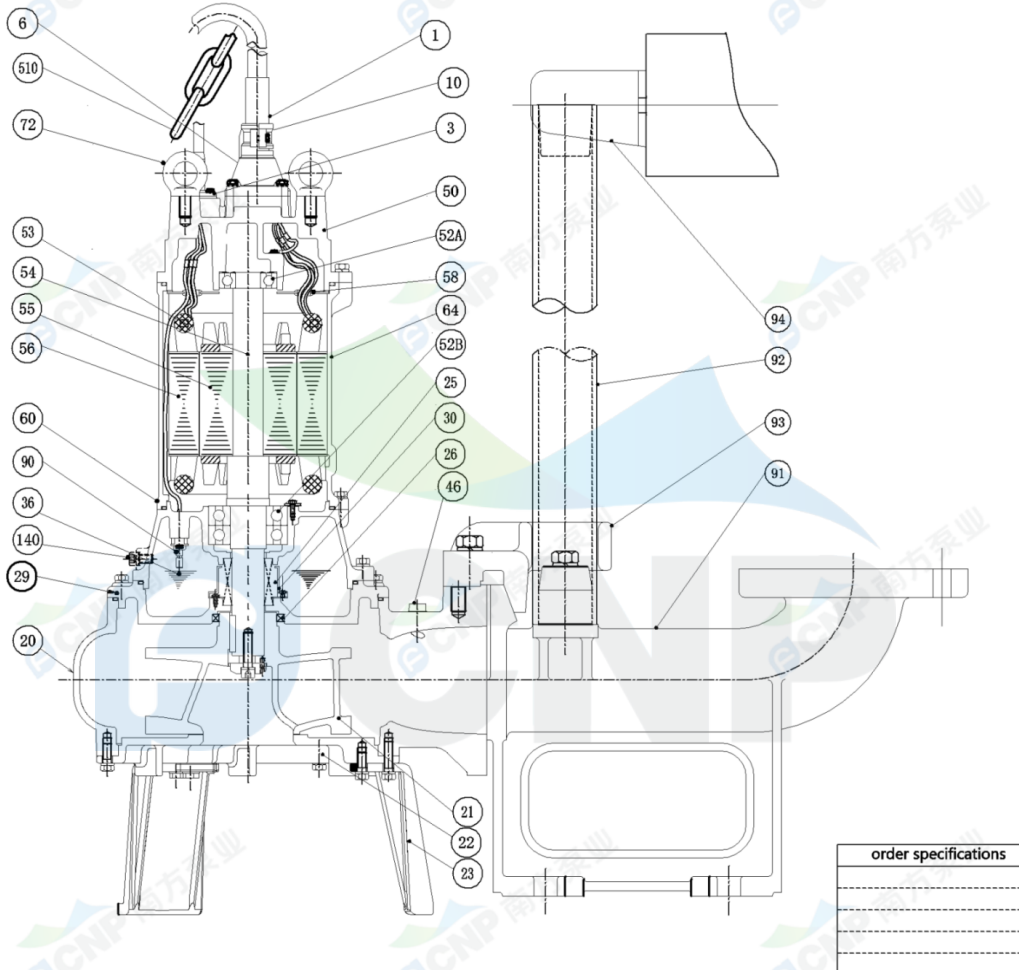
Pumped medium	Clean Water
Working temperature (°C)	20
Medium density (kg/m ³)	1000
Viscosity (mm ² /s)	1



	Structure picture 200WQ300-10-15W(I)	Manufacturer	CNP
		Address	Yuhang District, Hangzhou, Zhejiang,
		Contact	86-571-88637351
		Date	2022/03/09
Project Name		Client Name	DPA
Item NO		Client Addr.	
		Contacts	Alireza
		Contact	

CNP Nanfang Zhongjin Environment Co., Ltd.

	SECTIONAL DRAWING	No.	No.
TYPE	submersible sewage pump	MODEL	WQ-11/15kW



order specifications	

No.	names of parts	number	material	No.	names of parts	number	material
1	cable	1	YZW	22	water inlet cover	1	HT200
3	cable cover	1	SUS304	23	foot bracket	1	HT200
50	top cover	1	HT200	37	water outlet bend	1	HT200 (unaffiliated)
52A	upper bearing	1		20	casing	1	HT200
58	cable transit	1	PPS	29	Casing top cover	1	HT200
64	board base	1	HT200	140	oil filler plug	1	SUS304
52B	lower bearing	1		36	machine oil 32#		
25	mechanical seal	1	Carbon/ceramics/SIC	90	Leak sensor electrode bar	1	
30	oil lift	1		60	lower cover	1	HT200
26	framework oil seal	1	NBRI-2	56	stator	1	
46	Air release bolt	1		55	rotor	1	
94	guiding	1	HT200	54	shaft	1	
92	pipe	1	SUS304 (unaffiliated)	53	Mini-thermal protector	1	
93	guide hook	1	HT200	72	eye bolt	2	45# (forging galvanized)
91	water outlet base	1	HT200	510	lift chain	1	SUS304
21	impeller	1	HT200	10	Cable lockblock	2	HT200
6	cable sleeve	2	HT200				

Nanfang Zhongjin Environment CO.,LTD.

unit : mm



Installation picture 200WQ300-10-15W(I)

Manufacturer	CNP
Address	Yuhang District, Hangzhou, Zhejiang,
Contact	86-571-88637351
Date	2022/03/09
Client Name	DPA
Client Addr.	
Contacts	Alireza
Contact	

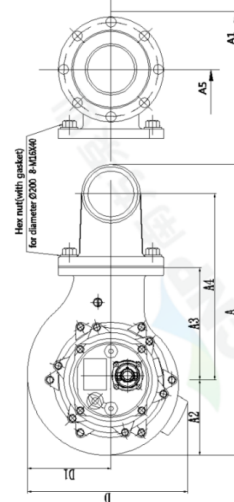
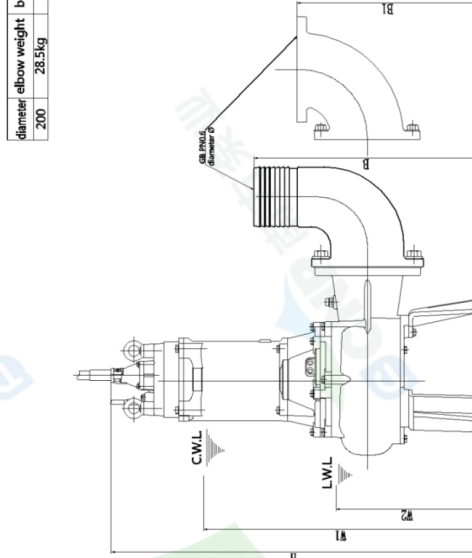
Project Name

Item NO

CNP Nanfang Zhongjin Environment Co., Ltd.

DIMENSION DRAWING		No.	No.												
TYPE submersible sewage pump		MODEL	200WQ300-10-15W												
MODEL	d	A	A1	A2	A3	A4	A5	B	B1	D	D1	W1	W2	H	Body weight
200WQ300-10-15W	200	892	945	228	340	669	552	545	535	485	253	825	445	1113	255kg

diameter	elbow weight	bend weight
200	28.5kg	33kg



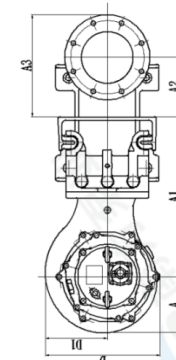
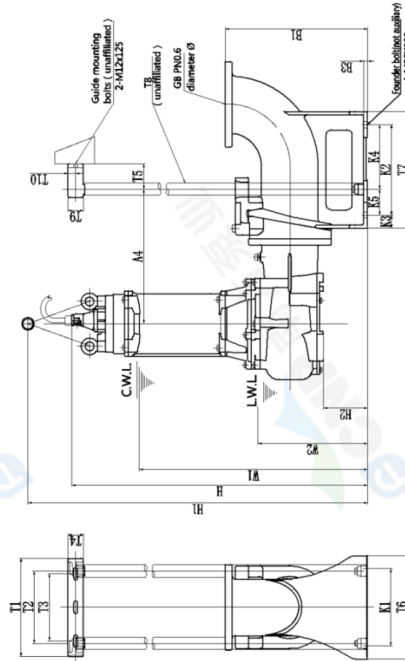
C.W.L. minimum water level under continuous operation
L.W.L. minimum water level under possible operation

unit : mm

Nanfang Zhongjin Environment CO.,LTD.

CNP Nanfang Zhongjin Environment Co., Ltd.

DIMENSION DRAWING		No.	No.																																																																																																																					
TYPE submersible sewage pump		MODEL	200WQ300-10-15W																																																																																																																					
MODEL	A	A1	A2	A3	A4	D	D1	W1	W2	H	H1	H2	Body weight																																																																																																											
200WQ300-10-15W	216	650	290	395	521	440	239	880	420	1314	1524	170	255kg																																																																																																											
Outlet diameter	d	T1	T2	T3	T4	T5	T6	T7	T8	T9	T10	K1	K2	K3	K4	K5	BL	BL1	BL2	BL3	BL4	BL5	BL6	BL7	BL8	BL9	BL10	BL11	BL12	BL13	BL14	BL15	BL16	BL17	BL18	BL19	BL20	BL21	BL22	BL23	BL24	BL25	BL26	BL27	BL28	BL29	BL30	BL31	BL32	BL33	BL34	BL35	BL36	BL37	BL38	BL39	BL40	BL41	BL42	BL43	BL44	BL45	BL46	BL47	BL48	BL49	BL50	BL51	BL52	BL53	BL54	BL55	BL56	BL57	BL58	BL59	BL60	BL61	BL62	BL63	BL64	BL65	BL66	BL67	BL68	BL69	BL70	BL71	BL72	BL73	BL74	BL75	BL76	BL77	BL78	BL79	BL80	BL81	BL82	BL83	BL84	BL85	BL86	BL87	BL88	BL89	BL90	BL91	BL92	BL93	BL94	BL95	BL96	BL97	BL98	BL99	BL100	550	15	88kg
200WQ300-10-15W	200	380	280	260	60	100	400	450	15°(30°)	60	30	300	300	50	290	100	550	15	88kg																																																																																																					



C.W.L. minimum water level under continuous operation
L.W.L. minimum water level under possible operation

unit : mm

Nanfang Zhongjin Environment CO.,LTD.