	<b>Product Information</b> <b>200WQ270-28-37(I)</b>	Manufacturer	CNP
		Address	Yuhang District, Hangzhou, Zhejiang,
<b>Project Name</b>		Contact	86-571-88637351
		Date	2022/03/09
<b>Item NO</b>		Client Name	DPA
		Client Addr.	
		Contacts	Alireza
		Contact	

Part NO.	200WQ270-28-37(I)
----------	-------------------

Product Picture	Note
	<p>The sewage submersible pump is composed of two parts: the motor and the pump.</p> <p>The two are separated by an oil chamber and a mechanical seal assembly.</p> <p>Divided into fixed automatic coupling installation and mobile installation</p>

<b>technology</b>	
Pump rotator speed	1470
Nameplate standards	CE
<b>Material</b>	
Impeller	HT200
Pump shaft	20cr13
Rubber code	P
Pump case	HT200
<b>Installation</b>	
Connection Code	F
Maximum Pressure/Temperatur	6bar/40
Flange Standard	DIN
Pressure Class	PN6
<b>Medium</b>	
Medium Temperature	40
Maximum diameter of partic	50
Maximum Environment Temper	40
<b>Structure dimension</b>	
Standard caliber	DN
Outlet Diameter	DN200
<b>Motor</b>	
Number of Motor Phase	Three Phase
Protection Class	IP68
Insulation Class	F
Motor Power	37
Power Frequency	50HZ
Rated Voltage (V)	380V
Rated Current (A)	71.9
Starting mode	Star delta boot
<b>Seal</b>	
Mechanical Seal	H-60
<b>Others</b>	
Weight (kg)	930



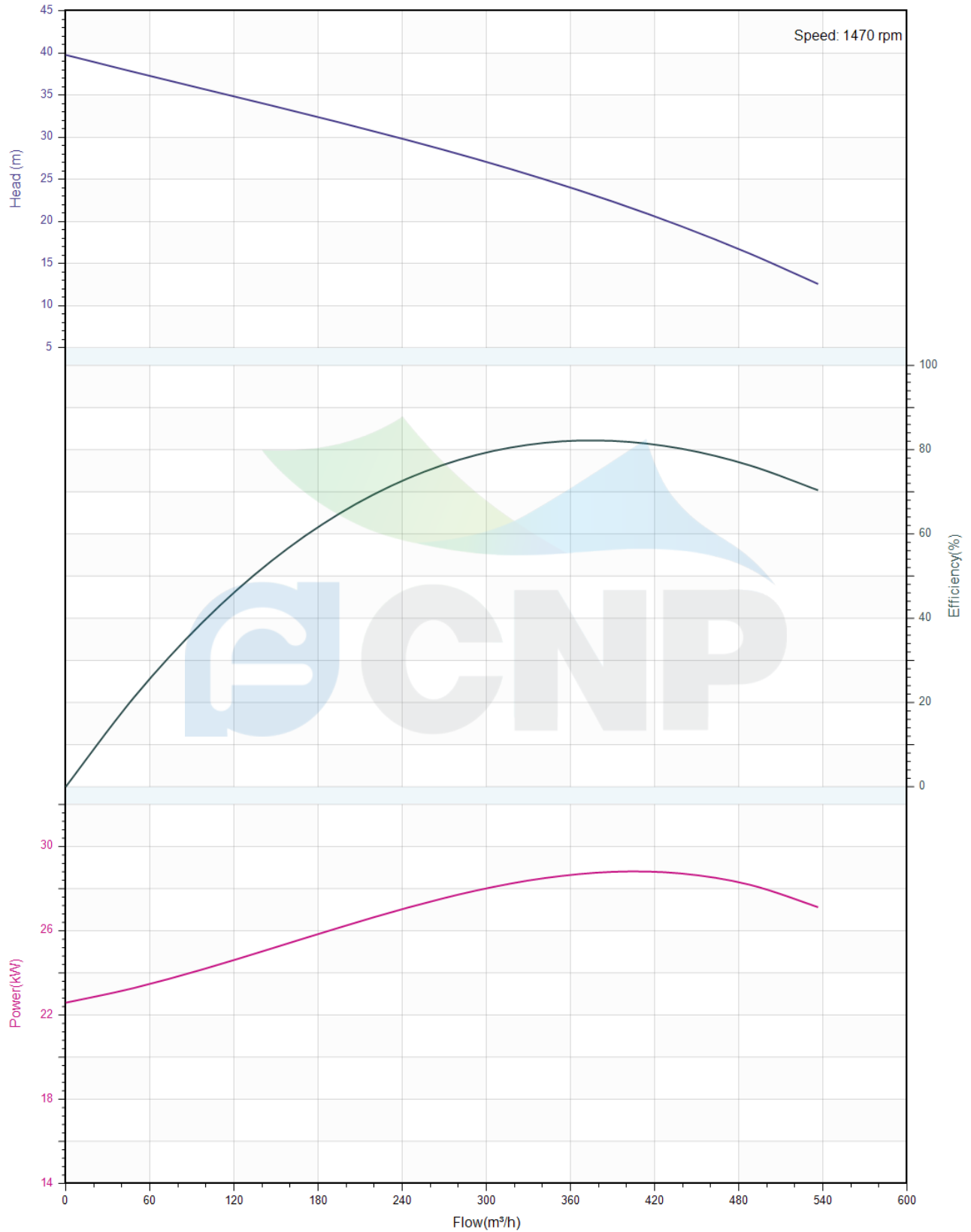
# Performance Curve 200WQ270-28-37(I)

Manufacturer	CNP
Address	Yuhang District, Hangzhou, Zhejiang,
Contact	86-571-88637351
Date	2022/03/09
Client Name	DPA
Client Addr.	
Contacts	Alireza
Contact	

Project Name

Item NO

The hydraulic performance curve have been tested with Clean Water at 20°C, density 1000kg/m<sup>3</sup>, and at 1bar atmospheric pressure. ISO99062012 Grade 3B





## Pump Technical Parameters 200WQ270-28-37(I)

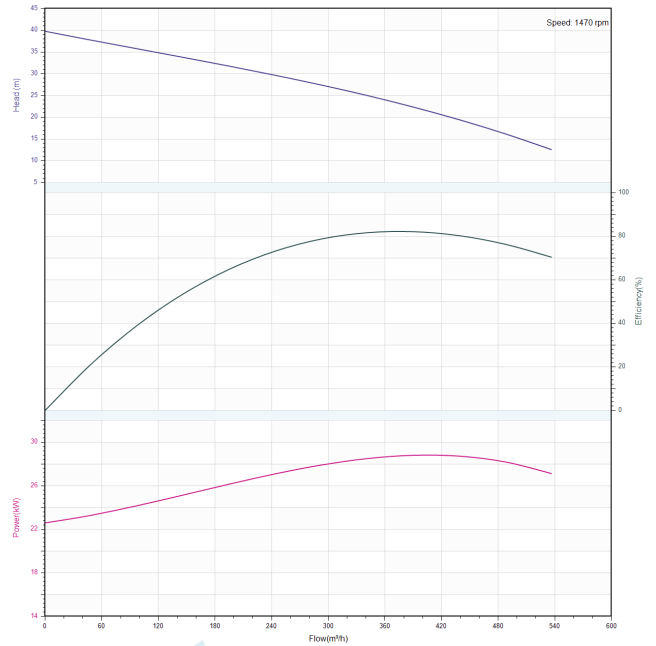
Manufacturer	CNP
Address	Yuhang District, Hangzhou, Zhejiang,
Contact	86-571-88637351
Date	2022/03/09
Client Name	DPA
Client Addr.	
Contacts	Alireza
Contact	


### Rated parameters

Pump model	200WQ270-28-37(I)
Part NO.	200WQ270-28-37(I)
Rated flow (m <sup>3</sup> /h)	270
Rated head (m)	28
Rated efficiency (%)	56.6
Power (kW)	33.342
Speed (rpm)	1470

### Medium

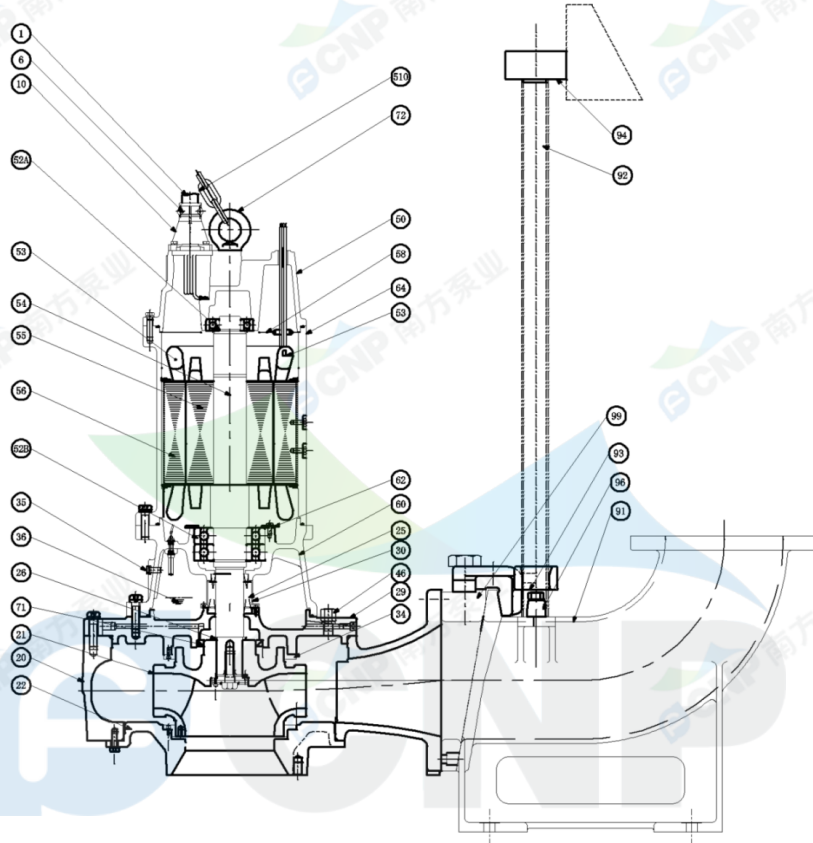
Pumped medium	Clean Water
Working temperature (°C)	20
Medium density (kg/m <sup>3</sup> )	1000
Viscosity (mm <sup>2</sup> /s)	1



	<b>Structure picture</b> <b>200WQ270-28-37(I)</b>	Manufacturer	CNP
		Address	Yuhang District, Hangzhou, Zhejiang,
Project Name		Contact	86-571-88637351
		Date	2022/03/09
Item NO		Client Name	DPA
		Client Addr.	
		Contacts	Alireza
		Contact	

**CNP Nanfang Zhongjin Environment Co., Ltd.**

	SECTIONAL DRAWING	No.	No.
TYPE	submersible sewage pump	MODEL	30/37KW



order specifications

No.	names of parts	number	material	No.	names of parts	number	material
1	cable	2	YCW	54	shaft	1	
6	cable sleeve	2	HT200	55	rotor	1	
50	top cover	1	HT200	56	stator	1	
58	cable transit board	1	Q235	52B	lower bearing	2	
64	base	1	HT200	36	machine oil 32#		
62	Bearing cover	1	HT200	26	framework oil seal	3	NBRI-2
25	mechanical seal	1	Carbon/SiC	35	oil filler plug	2	SUS304
30	oil lift	1		71	Shaft sleeve	2	1Cr13
60	lower cover	1	HT200	21	impeller	1	HT200
29	Casingtop cover	1	HT200	22	water inlet cover	1	HT200
20	casing	1	HT200	34	Neck ring	2	HT200
510	lift chain	1	SUS304	94	guiding	1	QT400
10	Cable lockblock	2	HT200	92	pipe	2	SUS304(unaffiliated)
72	eye bolt	2	45#(forging galvanized)	93	guide hook	1	QT500
52A	upper bearing	1		91	Discharge base	1	HT200
53	Mini-thermalprotector	1		99	Flange for coupling device	1	HT200
				96	Guiding fixing stopper	2	HT200

Nanfang Zhongjin Environment CO.,LTD.

unit: mm



# Installation picture

## 200WQ270-28-37(I)

Manufacturer	CNP
Address	Yuhang District, Hangzhou, Zhejiang,
Contact	86-571-88637351
Date	2022/03/09
Client Name	DPA
Client Addr.	
Contacts	Alireza
Contact	

Project Name

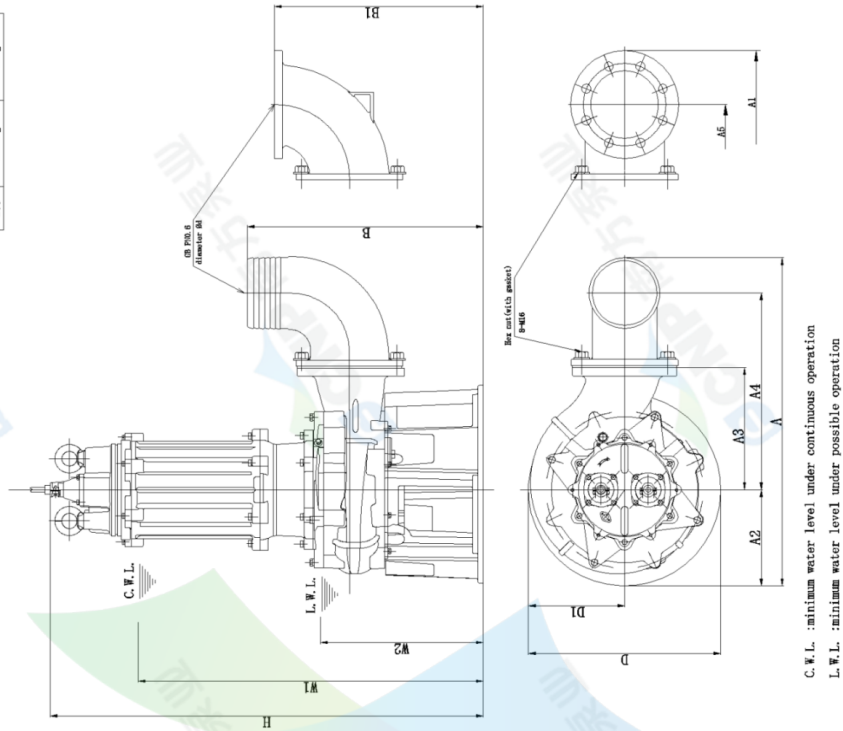
Item NO

**CNP** Nanfang Zhongjin Environment Co., Ltd.

DIMENSION DRAWING		No.	200WQ270-28-37	
TYPE submersible sewage pump		MODEL	200WQ270-28-37	

MODEL	A	A1	A2	A3	A4	A5	B	B1	D	D1	W1	W2	H	Body weight	
WQ270-28-37	200	1146	1190	382	450	684	683	793	673	724	362	1220	560	1590	720kg

elbow weight	28.5kg
bend weight	33kg

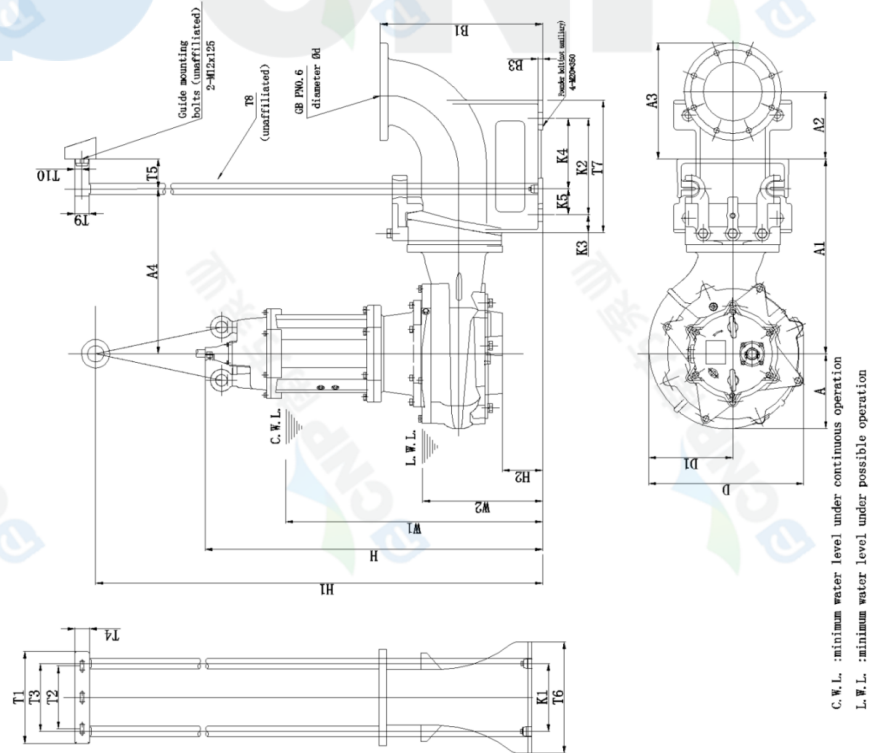


C.W.L. : minimum water level under continuous operation  
L.W.L. : minimum water level under possible operation

**CNP** Nanfang Zhongjin Environment Co., Ltd.

DIMENSION DRAWING		No.	200WQ270-28-37	
TYPE submersible sewage pump		MODEL	200WQ270-28-37	

MODEL	A	A1	A2	A3	A4	D	B1	B2	W1	W2	H1	H2	H3	H4	H5	H6	H7	H8	H9	H10	H11	H12	Body weight	
200WQ270-28-37	280	742	229	384	642	611	318	1070	450	1427	2427	126	126	126	126	126	126	126	126	126	126	126	126	880kg
200WQ270-28-37	200	580	80	100	400	450	1.5' (50%)	60	30	300	350	50	250	100	550	15								880kg



C.W.L. : minimum water level under continuous operation  
L.W.L. : minimum water level under possible operation

Nanfang Zhongjin Environment CO., LTD. unit: mm