	Product Information 200WQ210-11-11JY(I)	Manufacturer	CNP
		Address	Yuhang District, Hangzhou, Zhejiang,
Project Name		Contact	86-571-88637351
		Date	2022/03/09
Item NO		Client Name	DPA
		Client Addr.	
		Contacts	Alireza
		Contact	

Part NO.	200WQ210-11-11JY
----------	------------------

Product Picture	Note
	<p>The sewage submersible pump is composed of two parts: the motor and the pump.</p> <p>The two are separated by an oil chamber and a mechanical seal assembly.</p> <p>Divided into fixed automatic coupling installation and mobile installation</p>

technology	
Pump rotator speed	1440
Nameplate standards	CE
Material	
Impeller	HT200
Pump shaft	20cr13
Rubber code	P
Pump case	HT200
Installation	
Connection Code	F
Maximum Pressure/Temperatu	6bar/40
Flange Standard	DIN
Pressure Class	PN6
Medium	
Medium Temperature	40
Maximum diameter of partic	50
Maximum Environment Temper	40
Structure dimension	
Standard caliber	DN
Outlet Diameter	DN200
Motor	
Number of Motor Phase	Three Phase
Protection Class	IP68
Insulation Class	F
Motor Power	11
Power Frequency	50HZ
Rated Voltage (V)	380V
Rated Current (A)	22.9
Starting mode	direct boot
Seal	
Mechanical Seal	H-45
Others	
Weight (kg)	258



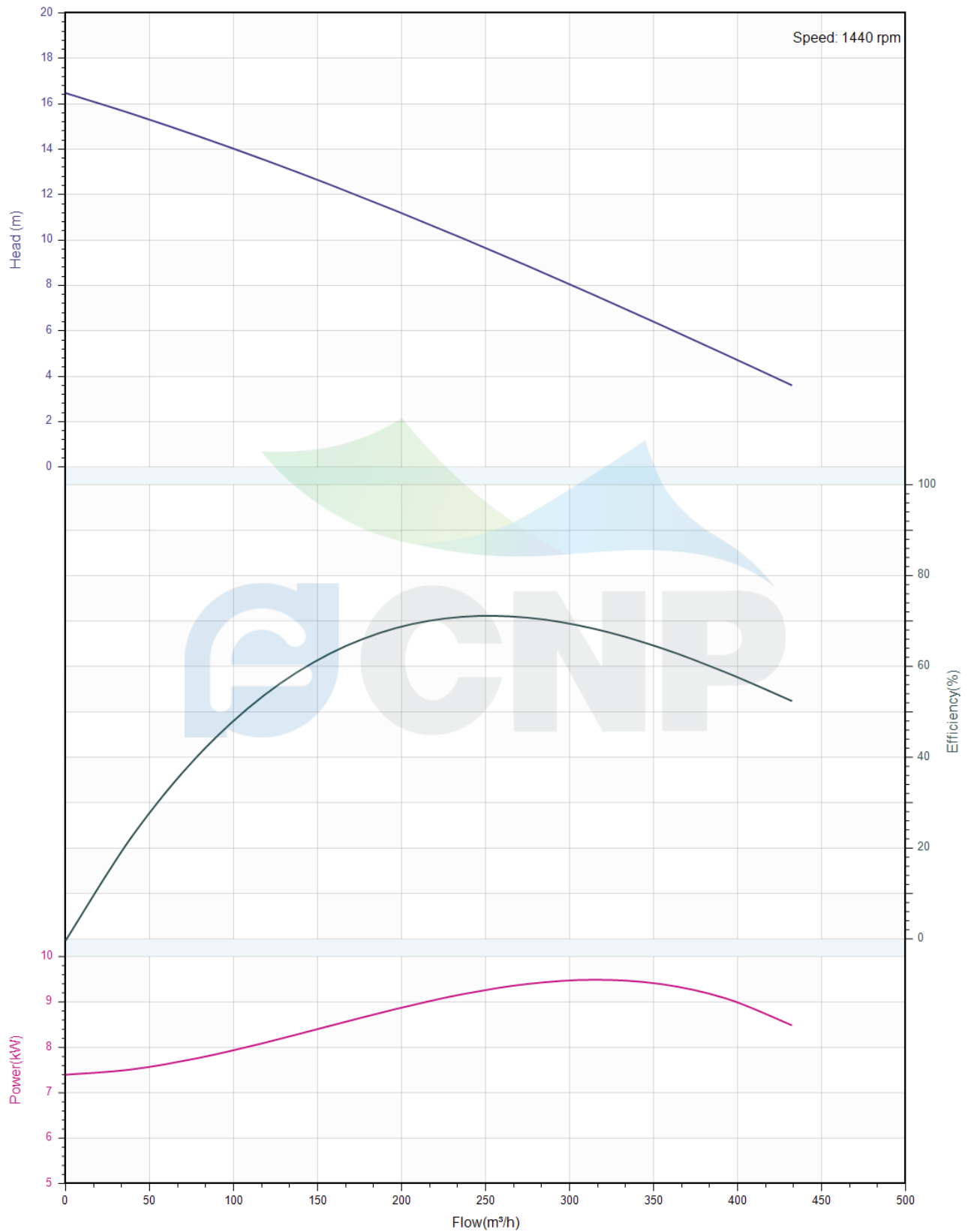
Performance Curve 200WQ210-11-11JY(I)

Manufacturer	CNP
Address	Yuhang District, Hangzhou, Zhejiang,
Contact	86-571-88637351
Date	2022/03/09
Client Name	DPA
Client Addr.	
Contacts	Alireza
Contact	

Project Name

Item NO

The hydraulic performance curve have been tested with Clean Water at 20°C, density 1000kg/m³, and at 1bar atmospheric pressure. ISO99062012 Grade 3B





Pump Technical Parameters 200WQ210-11-11JY(I)

Manufacturer	CNP
Address	Yuhang District, Hangzhou, Zhejiang,
Contact	86-571-88637351
Date	2022/03/09
Client Name	DPA
Client Addr.	
Contacts	Alireza
Contact	

Project Name

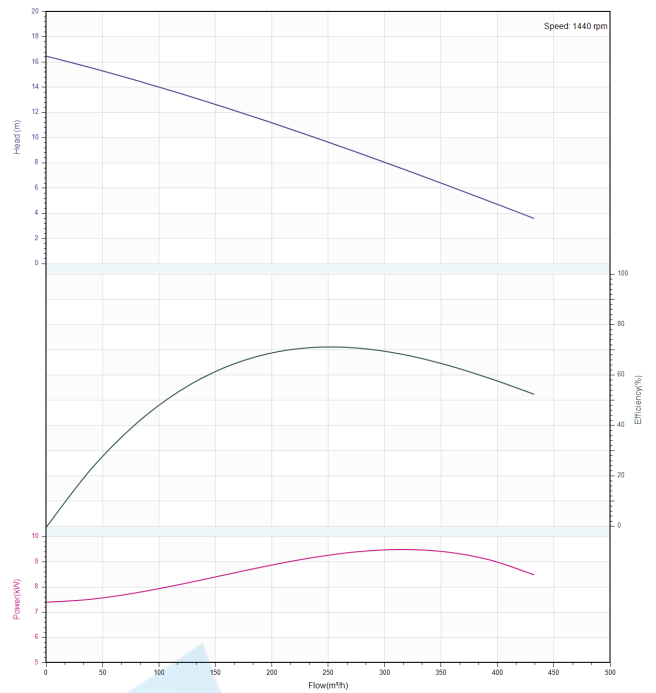
Item NO


Rated parameters

Pump model	200WQ210-11-11JY(I)
Part NO.	200WQ210-11-11JY
Rated flow (m ³ /h)	210
Rated head (m)	11
Rated efficiency (%)	76
Power (kW)	8.28
NPSHr (m)	2
Speed (rpm)	1440

Medium

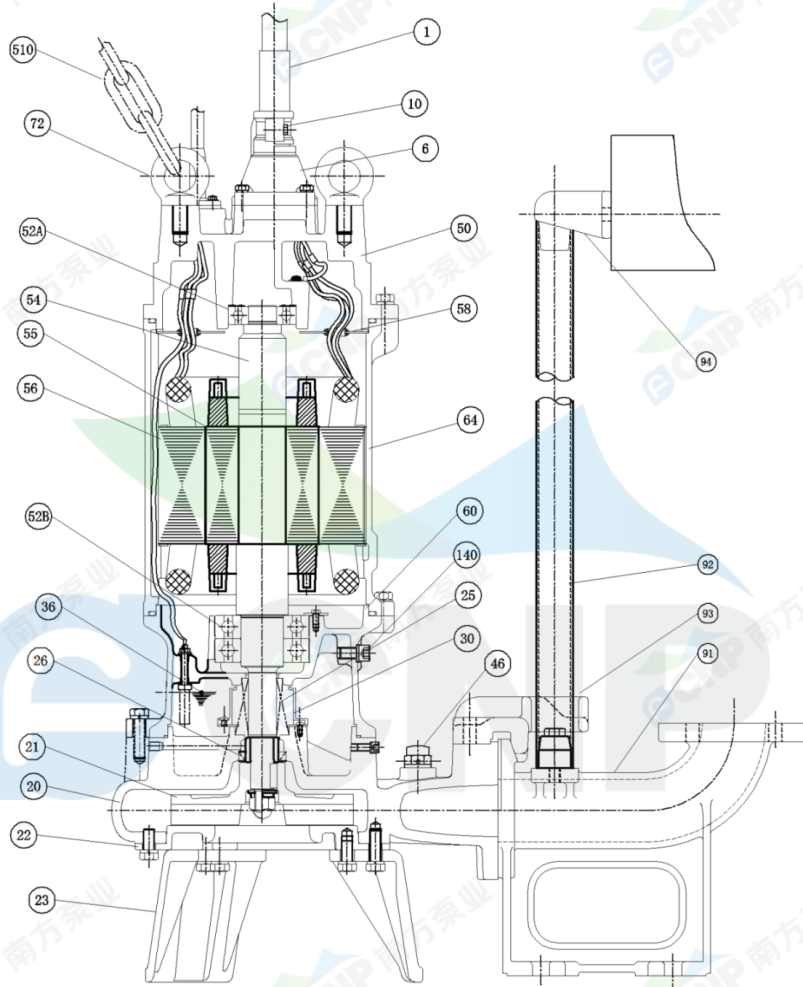
Pumped medium	Clean Water
Working temperature (°C)	20
Medium density (kg/m ³)	1000
Viscosity (mm ² /s)	1



	Structure picture 200WQ210-11-11JY(I)	Manufacturer	CNP
		Address	Yuhang District, Hangzhou, Zhejiang,
Project Name		Contact	86-571-88637351
		Date	2022/03/09
Item NO		Client Name	DPA
		Client Addr.	
		Contacts	Alireza
		Contact	

CNP Nanfang Zhongjin Environment Co., Ltd.

	SECTIONAL DRAWING	No.	No.
TYPE	submersible sewage pump	MODEL	WQ-11/15kW



order specifications	

No.	names of parts	number	material	No.	names of parts	number	material
1	cable	1	YZW	20	casing	1	HT200
6	cable sleeve	1	HT200	21	impeller	1	HT200
50	top cover	1	HT200	26	framework oil seal	1	NBR-2
58	cable transit board	1	Q235	140	oil filler plug	2	SUS304
64	base	1	HT200	36	machine oil 32#		
25	mechanical seal	1	Carbon/SIC	52B	lower bearing	2	
60	lower cover	1	HT200	56	stator	1	
30	oil lift	1		55	rotor	1	
46	Air release bolt	1		54	shaft	1	
94	guiding	1	HT200	52A	upper bearing	1	
92	pipe	1	SUS304(unaffiliated)	72	eye bolt	2	SUS304
93	guide hook	1	HT200	510	lift chain	1	45#(forging galvanized)
91	water outlet base	1	HT200	23	foot bracket	3	HT200
22	water inlet cover	1	HT200	10	Cable lockblock	2	HT200

Nanfang Zhongjin Environment CO.,LTD.

unit : mm



Installation picture 200WQ210-11-11JY(I)

Manufacturer	CNP
Address	Yuhang District, Hangzhou, Zhejiang,
Contact	86-571-88637351
Date	2022/03/09
Client Name	DPA
Client Addr.	
Contacts	Alireza
Contact	

Project Name

Item NO

CNP 中金环境

外形尺寸	DIMENSION DRAWING	No.	No.
污水污物潜水泵	污水污物潜水泵	200WQ210-11-11JY	

型号	d	A	A1	A2	A3	A4	A5	B	B1	D	D1	W1	W2	H	总重量
200WQ210-11-11JY	200	896	947	229	340	573	553	665	545	465	253	810	400	1135	255kg

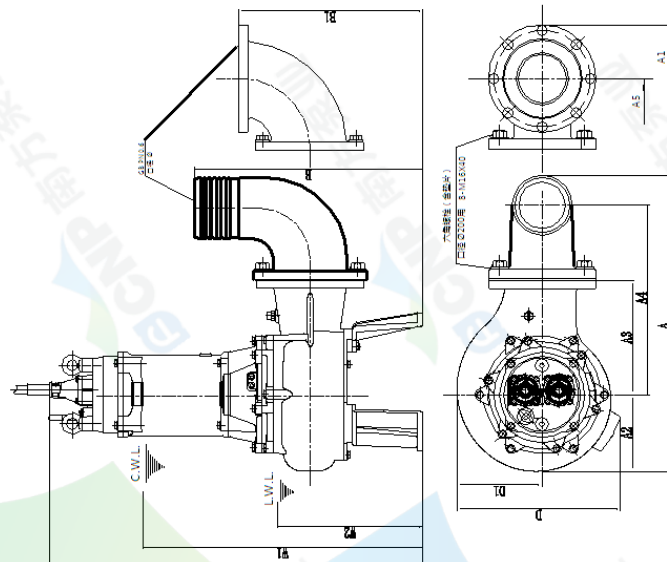
口径	200	28.5kg
重量	33kg	

CNP 中金环境

安装外形尺寸	DIMENSION DRAWING	No.	No.
污水污物潜水泵	污水污物潜水泵	200WQ210-11-11JY	

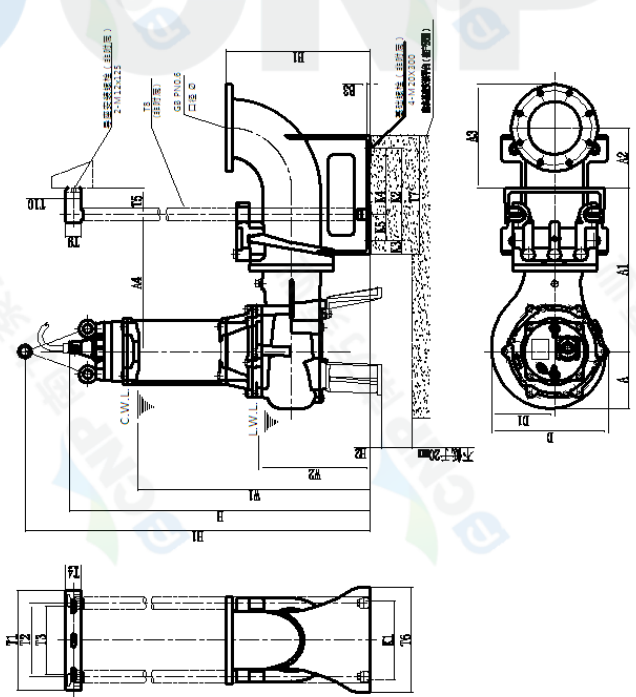
型号	A	A1	A2	A3	A4	D	D1	W1	W2	H	H1	H2	总重量
200WQ210-11-11JY	228	630	230	335	530	458.5	253	715	365	1100	1478	35	235kg

型号	h	h1	h2	h3	h4	h5	h6	h7	h8	h9	h10	h11	h12	重量	
100-200	200	180	280	240	60	100	400	480	1.1100-1.60	30	100	100	150	150	150



C.W.L. :连续运行最高水位
L.W.L. :可能运行最高水位

unit : mm
Nanfang Zhongjin Environment CO.,LTD.



C.W.L. :连续运行最高水位
L.W.L. :可能运行最高水位

unit : mm
Nanfang Zhongjin Environment CO.,LTD.