


|  |   |              |                                      |
|--|---|--------------|--------------------------------------|
|  | <b>Product Information</b><br><b>200WQ210-10-11W(I)</b> | Manufacturer | CNP                                  |
|  |   | Address      | Yuhang District, Hangzhou, Zhejiang, |
| <b>Project Name</b>  |   | Contact      | 86-571-88637351                      |
|  |   | Date         | 2022/03/09                           |
| <b>Item NO</b>   |   | Client Name  | DPA                                  |
|  |   | Client Addr. |                                      |
|  |   | Contacts     | Alireza                              |
|  |   | Contact      |                                      |

|          |                    |
|----------|--------------------|
| Part NO. | 200WQ210-10-11W(I) |
|----------|--------------------|

| Product Picture   | Note  |
|---|---|
|  | <p>The sewage submersible pump is composed of two parts: the motor and the pump.</p> <p>The two are separated by an oil chamber and a mechanical seal assembly.</p> <p>Divided into fixed automatic coupling installation and mobile installation</p> |

|                            |             |
|----------------------------|-------------|
| <b>technology</b>          |             |
| Pump rotator speed         | 1440        |
| Nameplate standards        | CE          |
| <b>Material</b>            |             |
| Impeller                   | HT200       |
| Pump shaft                 | 20cr13      |
| Rubber code                | P           |
| Pump case                  | HT200       |
| <b>Installation</b>        |             |
| Connection Code            | F           |
| Maximum Pressure/Temperatu | 6bar/40     |
| Flange Standard            | DIN         |
| Pressure Class             | PN6         |
| <b>Medium</b>              |             |
| Medium Temperature         | 40          |
| Maximum diameter of partic | 63          |
| Maximum Environment Temper | 40          |
| <b>Structure dimension</b> |             |
| Standard caliber           | DN          |
| Outlet Diameter            | DN200       |
| <b>Motor</b>               |             |
| Number of Motor Phase      | Three Phase |
| Protection Class           | IP68        |
| Insulation Class           | F           |
| Motor Power                | 11          |
| Power Frequency            | 50HZ        |
| Rated Voltage (V)          | 380V        |
| Rated Current (A)          | 22.9        |
| Starting mode              | direct boot |
| <b>Seal</b>                |             |
| Mechanical Seal            | H-45        |
| <b>Others</b>              |             |
| Weight (kg)                | 255         |



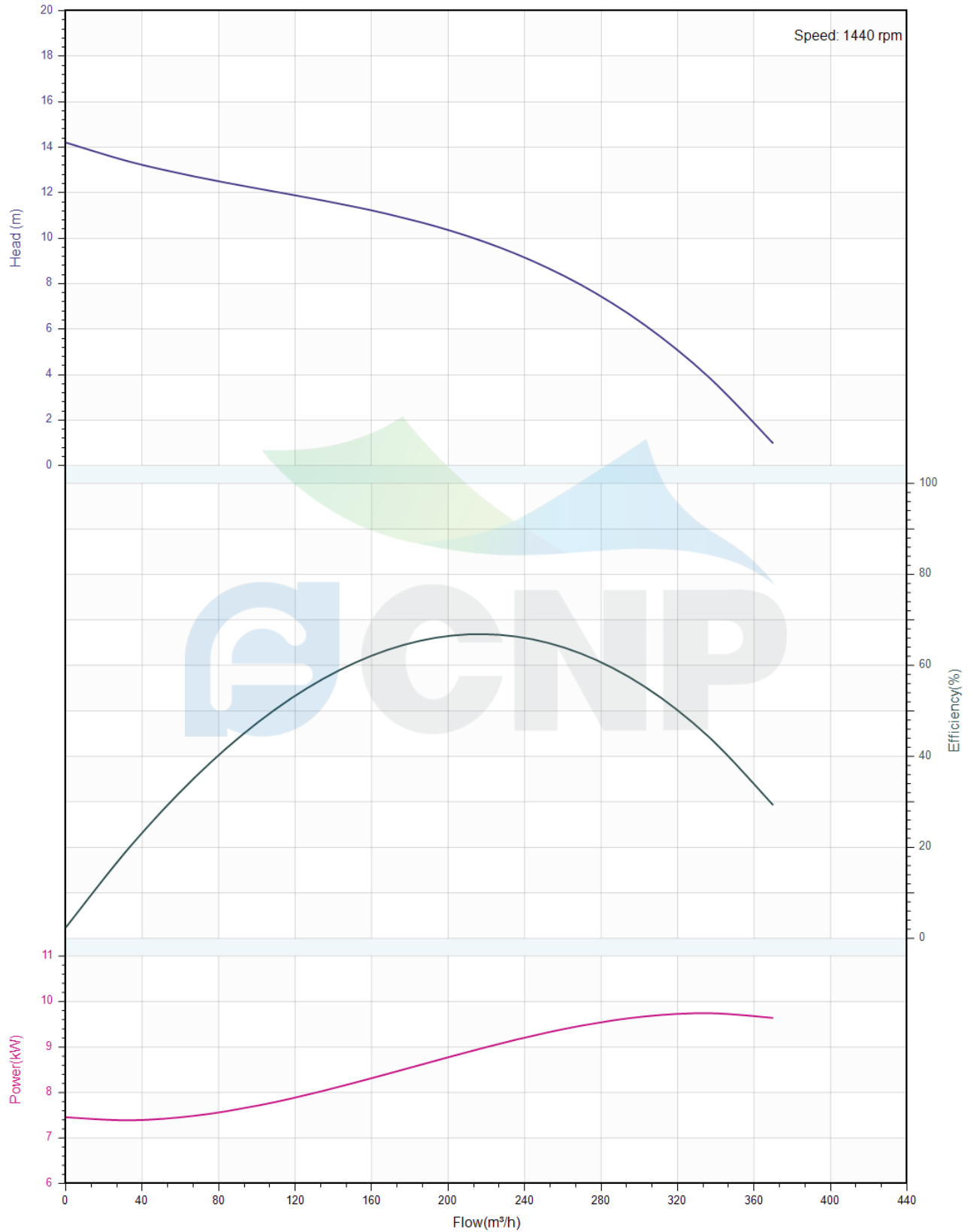
### Performance Curve 200WQ210-10-11W(I)

|              |                                      |
|--------------|--------------------------------------|
| Manufacturer | CNP                                  |
| Address      | Yuhang District, Hangzhou, Zhejiang, |
| Contact      | 86-571-88637351                      |
| Date         | 2022/03/09                           |
| Client Name  | DPA                                  |
| Client Addr. |                                      |
| Contacts     | Alireza                              |
| Contact      |                                      |

Project Name

Item NO

The hydraulic performance curve have been tested with Clean Water at 20°C, density 1000kg/m<sup>3</sup>, and at 1bar atmospheric pressure. ISO99062012 Grade 3B





### Pump Technical Parameters 200WQ210-10-11W(I)

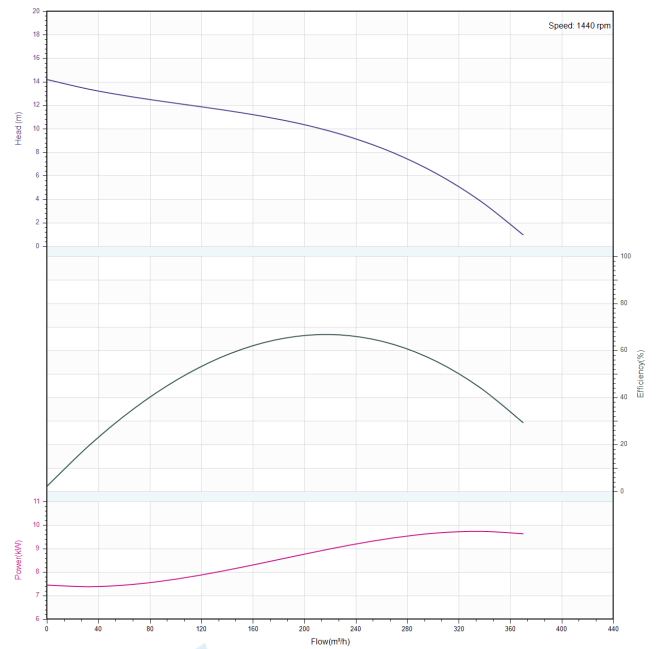
|              |                                      |
|--------------|--------------------------------------|
| Manufacturer | CNP                                  |
| Address      | Yuhang District, Hangzhou, Zhejiang, |
| Contact      | 86-571-88637351                      |
| Date         | 2022/03/09                           |
| Client Name  | DPA                                  |
| Client Addr. |                                      |
| Contacts     | Alireza                              |
| Contact      |                                      |


#### Rated parameters

|                                |                    |
|--------------------------------|--------------------|
| Pump model                     | 200WQ210-10-11W(I) |
| Part NO.                       | 200WQ210-10-11W(I) |
| Rated flow (m <sup>3</sup> /h) | 210                |
| Rated head (m)                 | 10                 |
| Rated efficiency (%)           | 65                 |
| Power (kW)                     | 9.06               |
| Speed (rpm)                    | 1440               |

#### Medium

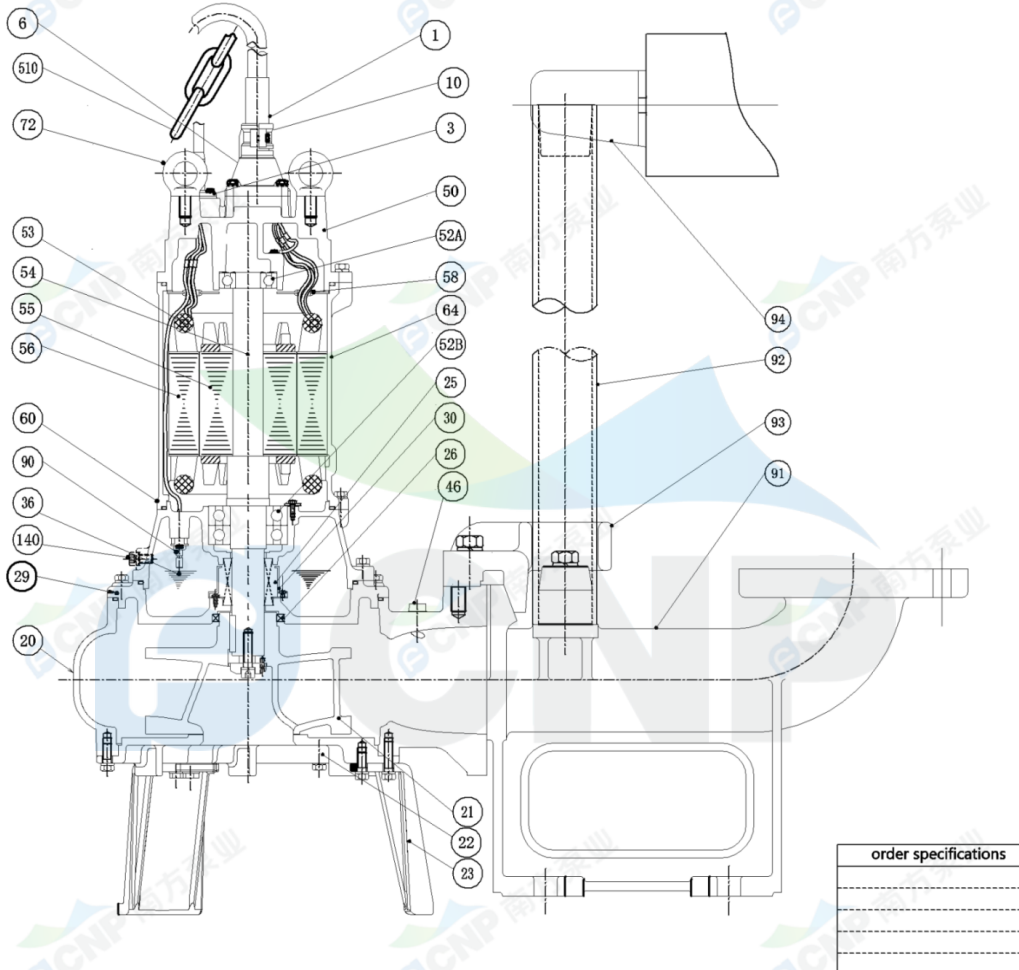
|                                     |             |
|-------------------------------------|-------------|
| Pumped medium                       | Clean Water |
| Working temperature (°C)            | 20          |
| Medium density (kg/m <sup>3</sup> ) | 1000        |
| Viscosity (mm <sup>2</sup> /s)      | 1           |



|  |   |              |                                      |
|--|---|--------------|--------------------------------------|
|  | <b>Structure picture</b><br><b>200WQ210-10-11W(I)</b> | Manufacturer | CNP                                  |
|  |   | Address      | Yuhang District, Hangzhou, Zhejiang, |
|  |   | Contact      | 86-571-88637351                      |
|  |   | Date         | 2022/03/09                           |
| Project Name   |   | Client Name  | DPA                                  |
|  |   | Client Addr. |                                      |
| Item NO  |   | Contacts     | Alireza                              |
|  |   | Contact      |                                      |

**CNP Nanfang Zhongjin Environment Co., Ltd.**

|      |                          |       |            |
|------|--------------------------|-------|------------|
|      | <b>SECTIONAL DRAWING</b> | No.   | No.        |
| TYPE | submersible sewage pump  | MODEL | WQ-11/15kW |



| order specifications |  |
|----------------------|--|
|                      |  |
|                      |  |
|                      |  |

| No. | names of parts     | number | material              | No. | names of parts            | number | material                 |
|-----|--------------------|--------|-----------------------|-----|---------------------------|--------|--------------------------|
| 1   | cable              | 1      | YZW                   | 22  | water inlet cover         | 1      | HT200                    |
| 3   | cable cover        | 1      | SUS304                | 23  | foot bracket              | 1      | HT200                    |
| 50  | top cover          | 1      | HT200                 | 37  | water outlet bend         | 1      | HT200 (unaffiliated)     |
| 52A | upper bearing      | 1      |                       | 20  | casing                    | 1      | HT200                    |
| 58  | cable transit      | 1      | PPS                   | 29  | Casing top cover          | 1      | HT200                    |
| 64  | board base         | 1      | HT200                 | 140 | oil filler plug           | 1      | SUS304                   |
| 52B | lower bearing      | 1      |                       | 36  | machine oil 32#           |        |                          |
| 25  | mechanical seal    | 1      | Carbon/ceramics/SIC   | 90  | Leak sensor electrode bar | 1      |                          |
| 30  | oil lift           | 1      |                       | 60  | lower cover               | 1      | HT200                    |
| 26  | framework oil seal | 1      | NBRI-2                | 56  | stator                    | 1      |                          |
| 46  | Air release bolt   | 1      |                       | 55  | rotor                     | 1      |                          |
| 94  | guiding            | 1      | HT200                 | 54  | shaft                     | 1      |                          |
| 92  | pipe               | 1      | SUS304 (unaffiliated) | 53  | Mini-thermal protector    | 1      |                          |
| 93  | guide hook         | 1      | HT200                 | 72  | eye bolt                  | 2      | 45# (forging galvanized) |
| 91  | water outlet base  | 1      | HT200                 | 510 | lift chain                | 1      | SUS304                   |
| 21  | impeller           | 1      | HT200                 | 10  | Cable lockblock           | 2      | HT200                    |
| 6   | cable sleeve       | 2      | HT200                 |     |                           |        |                          |

Nanfang Zhongjin Environment CO.,LTD.

unit : mm



## Installation picture 200WQ210-10-11W(I)

|              |                                      |
|--------------|--------------------------------------|
| Manufacturer | CNP                                  |
| Address      | Yuhang District, Hangzhou, Zhejiang, |
| Contact      | 86-571-88637351                      |
| Date         | 2022/03/09                           |
| Client Name  | DPA                                  |
| Client Addr. |                                      |
| Contacts     | Alireza                              |
| Contact      |                                      |

Project Name

Item NO

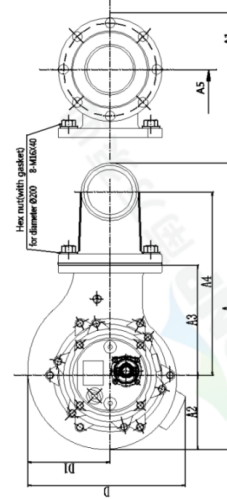
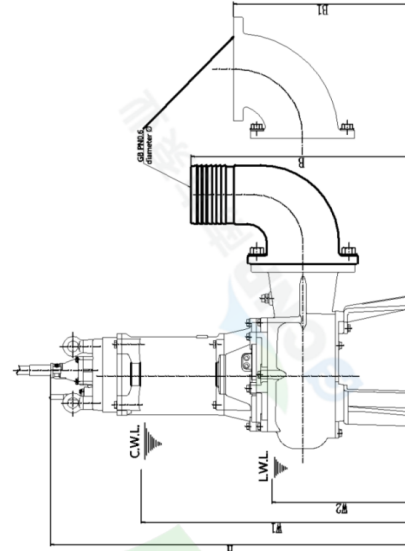
**CNP Nanfang Zhongjin Environment Co., Ltd.**

DIMENSION DRAWING No. [ ] No. [ ]

TYPE submersible sewage pump MODEL 200WQ210-10-11W

| MODEL           | d   | A   | A1  | A2  | A3  | A4  | A5  | B   | B1  | D   | D1  | W1  | W2  | H    | Body weight |
|-----------------|-----|-----|-----|-----|-----|-----|-----|-----|-----|-----|-----|-----|-----|------|-------------|
| 200WQ210-10-11W | 200 | 868 | 922 | 216 | 330 | 653 | 535 | 550 | 540 | 465 | 239 | 900 | 465 | 1184 | 230kg       |

| dia metal | elbow weight | band weight |
|-----------|--------------|-------------|
| 200       | 28.5kg       | 33kg        |



C.W.L. :minimum water level under continuous operation  
L.W.L. :minimum water level under possible operation

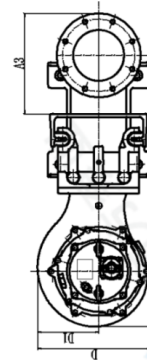
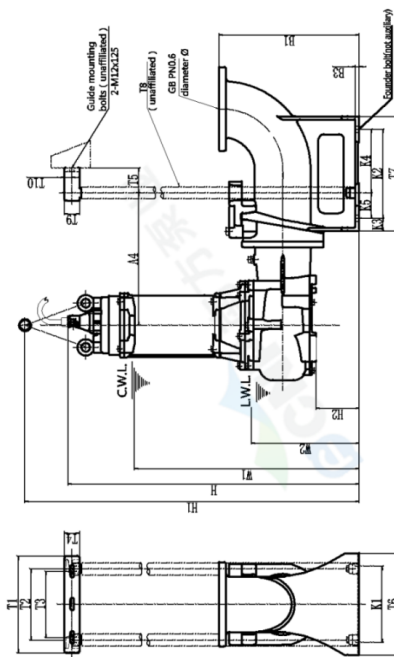
Nanfang Zhongjin Environment CO.,LTD. unit : mm

**CNP Nanfang Zhongjin Environment Co., Ltd.**

DIMENSION DRAWING No. [ ] No. [ ]

TYPE submersible sewage pump MODEL 200WQ210-10-11W

| MODEL           | A   | A1  | A2  | A3  | A4  | D         | D1  | W1   | W2  | H    | H1   | H2  | Body weight |
|-----------------|-----|-----|-----|-----|-----|-----------|-----|------|-----|------|------|-----|-------------|
| 200WQ210-10-11W | 278 | 650 | 720 | 395 | 550 | 458.5     | 253 | 81.0 | 400 | 1078 | 1478 | 175 | 260kg       |
| 200WQ210-10-11W | 200 | 380 | 280 | 260 | 460 | 1.5°(90°) | 60  | 300  | 350 | 50   | 250  | 100 | 550         |
|                 |     |     |     |     |     |           |     |      |     |      |      |     | 80kg        |



C.W.L. :minimum water level under continuous operation  
L.W.L. :minimum water level under possible operation

Nanfang Zhongjin Environment CO.,LTD. unit : mm