
	Product Information 150WQ200-45-55(I)	Manufacturer	CNP
		Address	Yuhang District, Hangzhou, Zhejiang,
Project Name		Contact	86-571-88637351
		Date	2022/03/09
Item NO		Client Name	DPA
		Client Addr.	
		Contacts	Alireza
		Contact	

Part NO.	150WQ200-45-55(I)
----------	-------------------

Product Picture	Note
	<p>The sewage submersible pump is composed of two parts: the motor and the pump.</p> <p>The two are separated by an oil chamber and a mechanical seal assembly.</p> <p>Divided into fixed automatic coupling installation and mobile installation</p>

technology	
Pump rotator speed	1480
Nameplate standards	CE
Material	
Impeller	HT200
Pump shaft	20cr13
Rubber code	P
Pump case	HT200
Installation	
Connection Code	F
Maximum Pressure/Temperatur	6bar/40
Flange Standard	DIN
Pressure Class	PN6
Medium	
Medium Temperature	40
Maximum diameter of partic	50
Maximum Environment Temper	40
Structure dimension	
Standard caliber	DN
Outlet Diameter	DN150
Motor	
Number of Motor Phase	Three Phase
Protection Class	IP68
Insulation Class	F
Motor Power	55
Power Frequency	50HZ
Rated Voltage (V)	380V
Rated Current (A)	106
Starting mode	direct boot
Seal	
Mechanical Seal	H-70
Others	
Weight (kg)	690

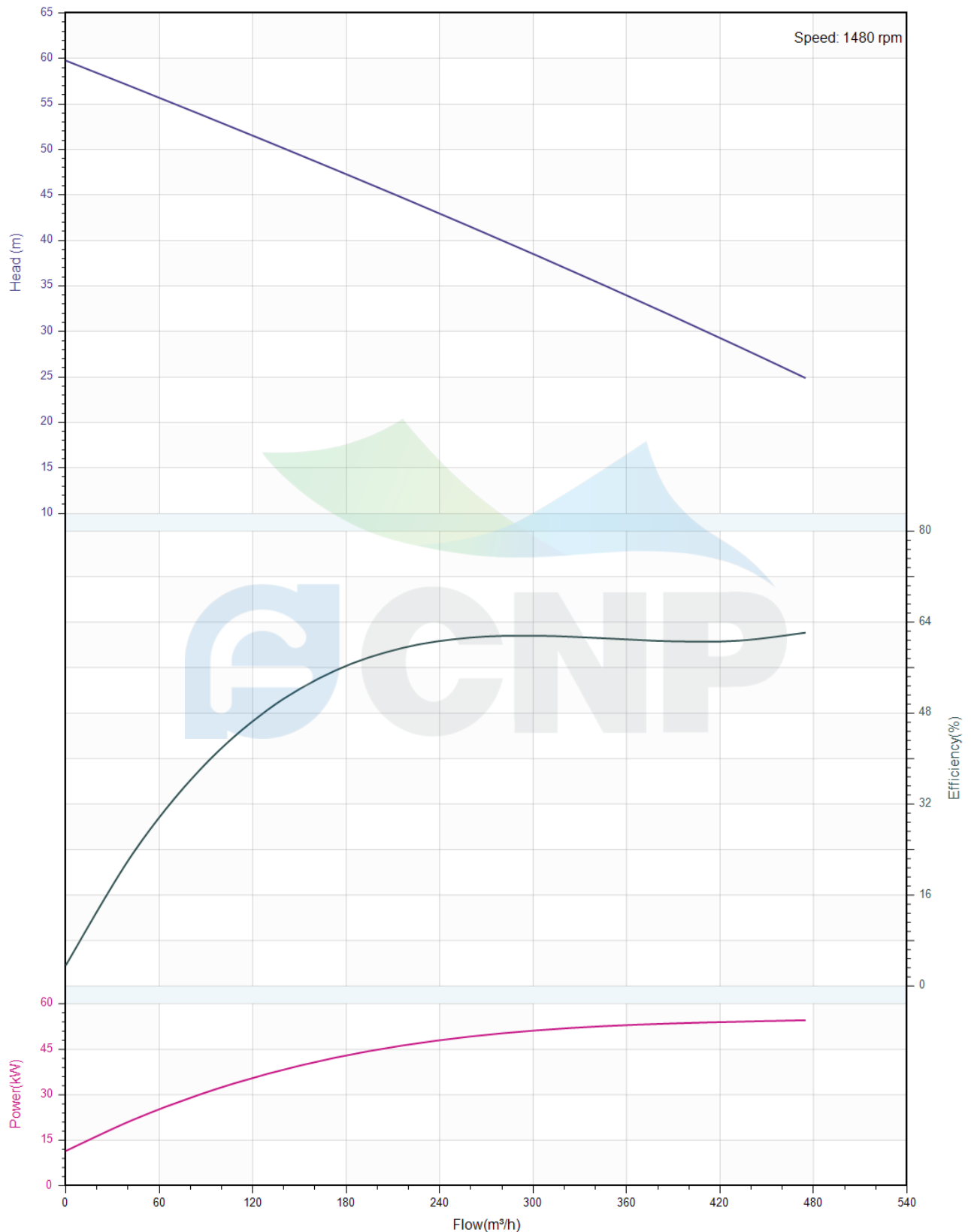


Performance Curve 150WQ200-45-55(I)

Manufacturer	CNP
Address	Yuhang District, Hangzhou, Zhejiang,
Contact	86-571-88637351
Date	2022/03/09
Client Name	DPA
Client Addr.	
Contacts	Alireza
Contact	

Project Name	
Item NO	

The hydraulic performance curve have been tested with Clean Water at 20°C, density 1000kg/m³, and at 1bar atmospheric pressure. ISO99062012 Grade 3B





Pump Technical Parameters 150WQ200-45-55(I)

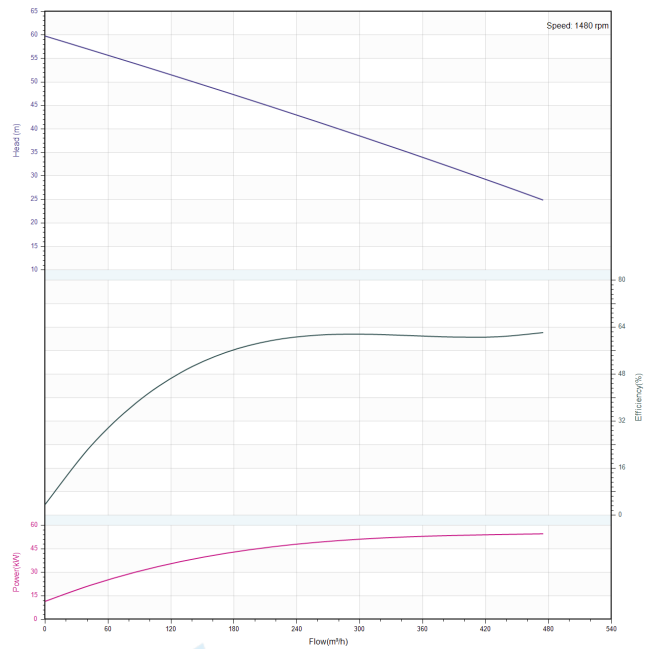
Manufacturer	CNP
Address	Yuhang District, Hangzhou, Zhejiang,
Contact	86-571-88637351
Date	2022/03/09
Client Name	DPA
Client Addr.	
Contacts	Alireza
Contact	


Rated parameters


Pump model	150WQ200-45-55(I)
Part NO.	150WQ200-45-55(I)
Rated flow (m ³ /h)	200
Rated head (m)	45
Rated efficiency (%)	60.3
Power (kW)	50.83
Speed (rpm)	1480

Medium

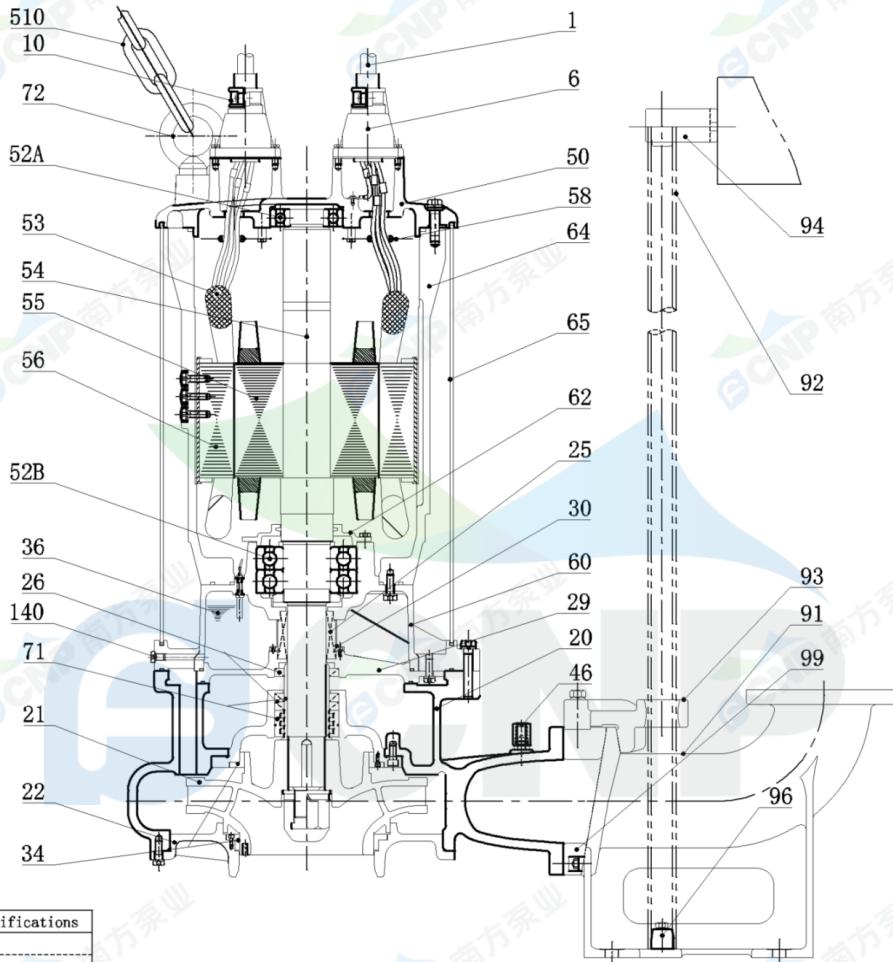
Pumped medium	Clean Water
Working temperature (°C)	20
Medium density (kg/m ³)	1000
Viscosity (mm ² /s)	1



	Structure picture 150WQ200-45-55(I)	Manufacturer	CNP
		Address	Yuhang District, Hangzhou, Zhejiang,
Project Name		Contact	86-571-88637351
		Date	2022/03/09
Item NO		Client Name	DPA
		Client Addr.	
		Contacts	Alireza
		Contact	

 **CNP Nanfang Zhongjin Environment Co., Ltd.**

	SECTIONAL DRAWING	No.	No.
TYPE	submersible sewage pump	MODEL	WQ-55/75kW



order specifications

No.	names of parts	number	material	No.	names of parts	number	material
1	cable	2	YCW	54	shaft	1	2Cr13
6	cable sleeve	2	HT200	55	rotor	1	
50	top cover	1	HT200	56	stator	1	
58	cable transit board	1	Q235	52B	lower bearing	2	
64	base	1	HT200	36	machine oil 32#		
65	Water proof cover	1	Q235	26	framework oil seal	3	NBRI-2
62	Bearing cover	1	HT200	140	oil filler plug	2	SUS304
25	mechanical seal	1	Carbon/SIC	71	Shaft sleeve	2	1Cr13
30	oil lift	1		21	impeller	1	HT200
60	lower cover	1	HT200	22	water inlet cover	1	HT200
29	Casingtop cover	1	HT200	34	Neck ring	2	HT200
20	casing	1	HT200	94	guiding	1	Q235Steel board
46	Air release bolt	2	SUS304	92	pipe	2	SUS304(unaffiliated)
510	lift chain	1	SUS304	93	guide hook	1	QT600
10	Cable lockblock	2	HT200	91	water outlet base	1	HT200
72	eye bolt	2	45#(forging galvanized)	99	coupling flange	1	HT200
52A	upper bearing	1		96	guide plug	2	HT150
53	Mini-thermalprotector	1		0			

Nanfang Zhongjin Environment CO.,LTD.

unit: mm



Installation picture 150WQ200-45-55(I)

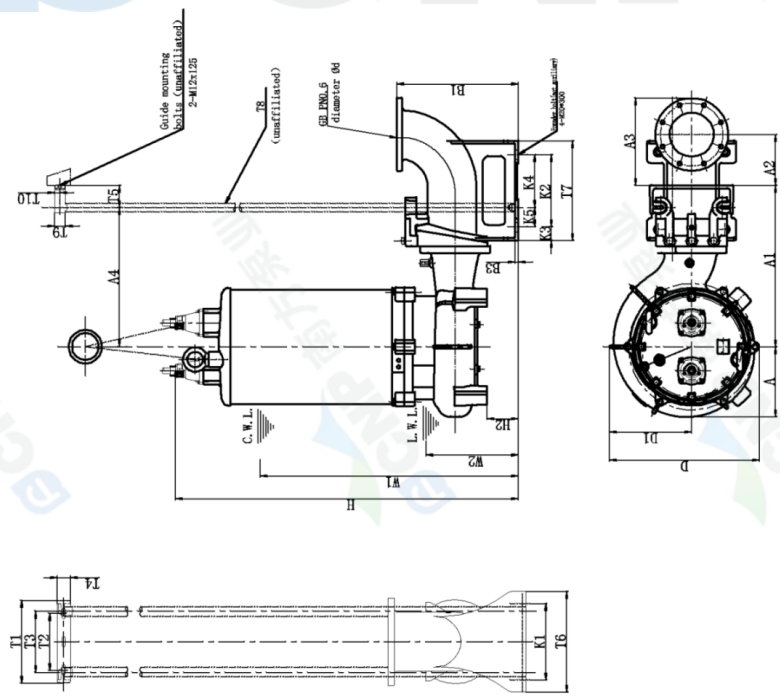
Manufacturer	CNP
Address	Yuhang District, Hangzhou, Zhejiang,
Contact	86-571-88637351
Date	2022/03/09
Client Name	DPA
Client Addr.	
Contacts	Alireza
Contact	

Project Name

Item NO

CNP submersible sewage pump

DIMENSION DRAWING		No.												
TYPE submersible sewage pump		MODEL	150WQ200-45-55											
MODEL	A	A1	A2	A3	A4	A5	B	B1	D	D1	W1	W2	H	Body weight
150WQ200-45-55	150	1063	1121	350	460	638	664	597	722	372	1380	1590	1663	845kg

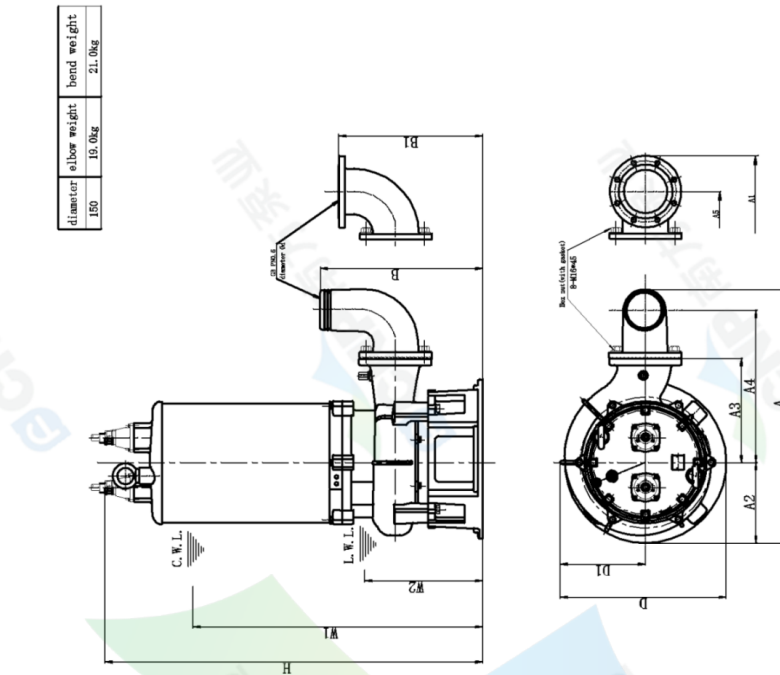


C.W.L.: minimum water level under continuous operation
L.W.L.: minimum water level under possible operation

Nanfeng Zhongjin Environment CO., LTD. unit: mm

CNP submersible sewage pump

DIMENSION DRAWING		No.											
TYPE submersible sewage pump		MODEL	150WQ200-45-55										
MODEL	A	A1	A2	A3	A4	D	D1	W1	W2	H	H1	H2	Body weight
150WQ200-45-55	321	737	190	330	637	686	276	490	490	1577	2577	194	845kg
150WQ200-45-55	150	1063	1121	350	460	638	664	597	722	372	1380	1590	845kg
150WQ200-45-55	150	1063	1121	350	460	638	664	597	722	372	1380	1590	845kg



C.W.L.: minimum water level under continuous operation
L.W.L.: minimum water level under possible operation

Nanfeng Zhongjin Environment CO., LTD. unit: mm