	<b>Product Information</b> <b>150WQ200-17-18.5JY(I)</b>	Manufacturer	CNP
		Address	Yuhang District, Hangzhou, Zhejiang,
<b>Project Name</b>		Contact	86-571-88637351
		Date	2022/03/09
		Client Name	DPA
<b>Item NO</b>		Client Addr.	
		Contacts	Alireza
		Contact	

Part NO.	150WQ200-17-18.5JY
----------	--------------------

Product Picture	Note
	<p>The sewage submersible pump is composed of two parts: the motor and the pump.</p> <p>The two are separated by an oil chamber and a mechanical seal assembly.</p> <p>Divided into fixed automatic coupling installation and mobile installation</p>

<b>technology</b>	
Pump rotator speed	1460
Nameplate standards	CE
<b>Material</b>	
Impeller	HT200
Pump shaft	20cr13
Rubber code	P
Pump case	HT200
<b>Installation</b>	
Connection Code	F
Maximum Pressure/Temperatu	6bar/40
Flange Standard	DIN
Pressure Class	PN6
<b>Medium</b>	
Medium Temperature	40
Maximum diameter of partic	45
Maximum Environment Temper	40
<b>Structure dimension</b>	
Standard caliber	DN
Outlet Diameter	DN150
<b>Motor</b>	
Number of Motor Phase	Three Phase
Protection Class	IP68
Insulation Class	F
Motor Power	18.5
Power Frequency	50HZ
Rated Voltage (V)	380V
Rated Current (A)	36.9
Starting mode	direct boot
<b>Seal</b>	
Mechanical Seal	H-50
<b>Others</b>	
Weight (kg)	295



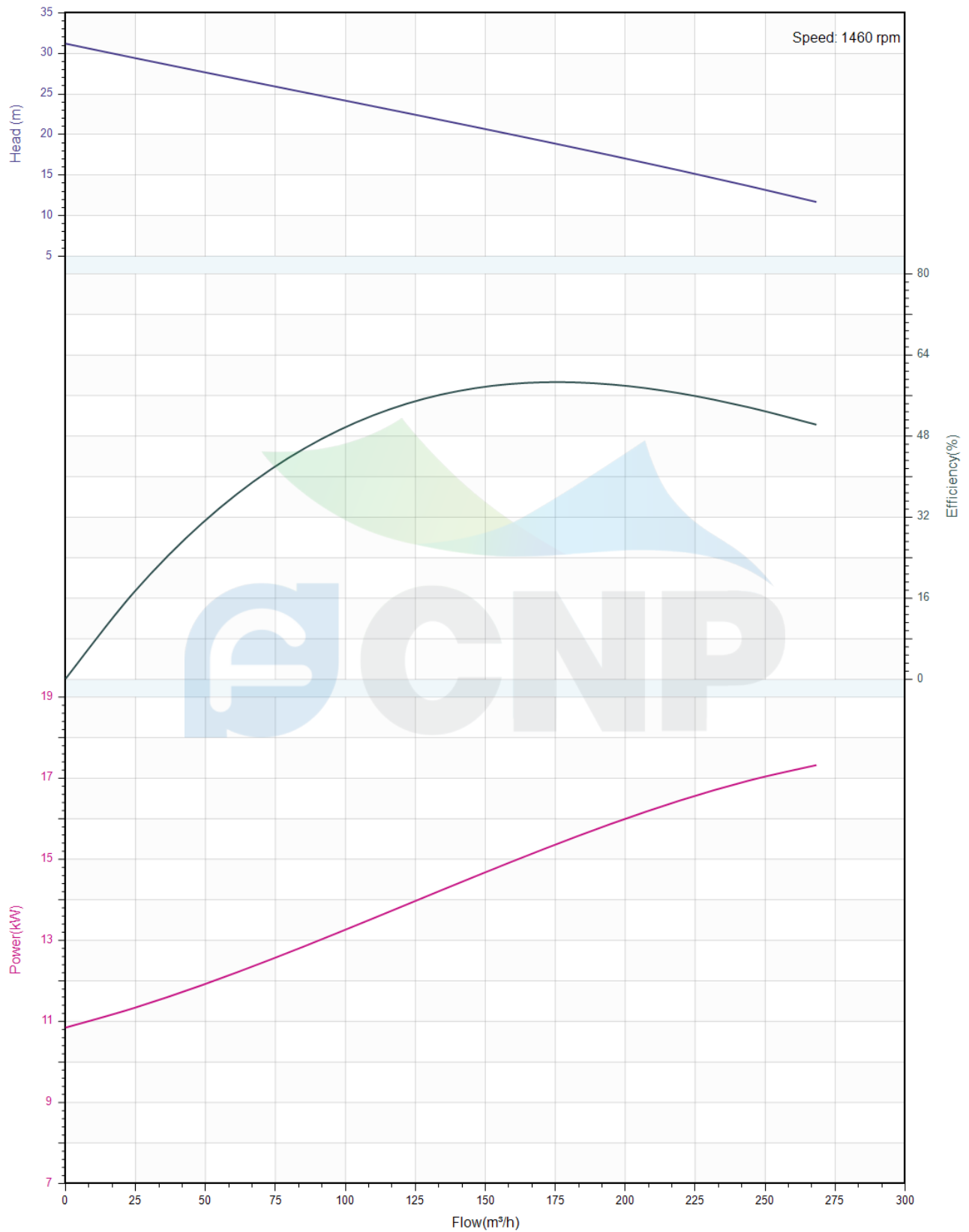
### Performance Curve 150WQ200-17-18.5JY(I)

Manufacturer	CNP
Address	Yuhang District, Hangzhou, Zhejiang,
Contact	86-571-88637351
Date	2022/03/09
Client Name	DPA
Client Addr.	
Contacts	Alireza
Contact	

Project Name

Item NO

The hydraulic performance curve have been tested with Clean Water at 20°C, density 1000kg/m<sup>3</sup>, and at 1bar atmospheric pressure. ISO99062012 Grade 3B





## Pump Technical Parameters 150WQ200-17-18.5JY(I)

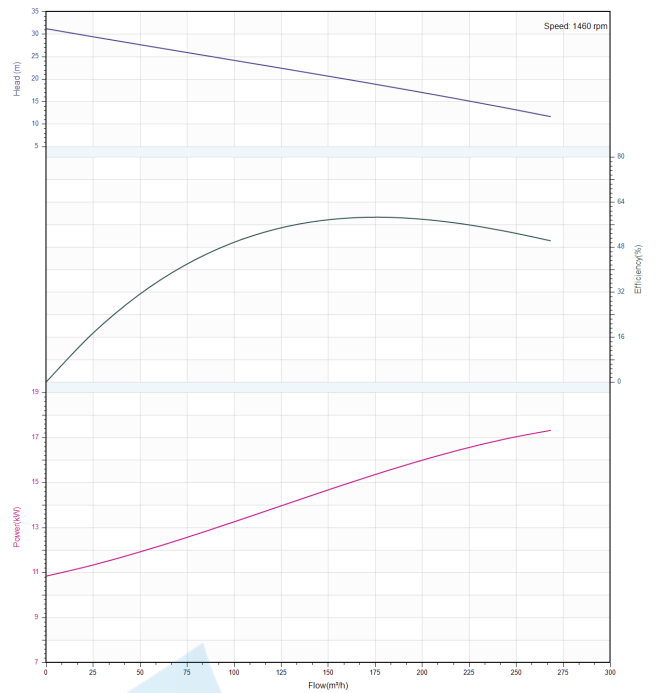
Manufacturer	CNP
Address	Yuhang District, Hangzhou, Zhejiang,
Contact	86-571-88637351
Date	2022/03/09
Client Name	DPA
Client Addr.	
Contacts	Alireza
Contact	


### Rated parameters


Pump model	150WQ200-17-18.5JY(I)
Part NO.	150WQ200-17-18.5JY
Rated flow (m <sup>3</sup> /h)	200
Rated head (m)	17
Rated efficiency (%)	58
Power (kW)	16
NPSHr (m)	2
Speed (rpm)	1460

### Medium

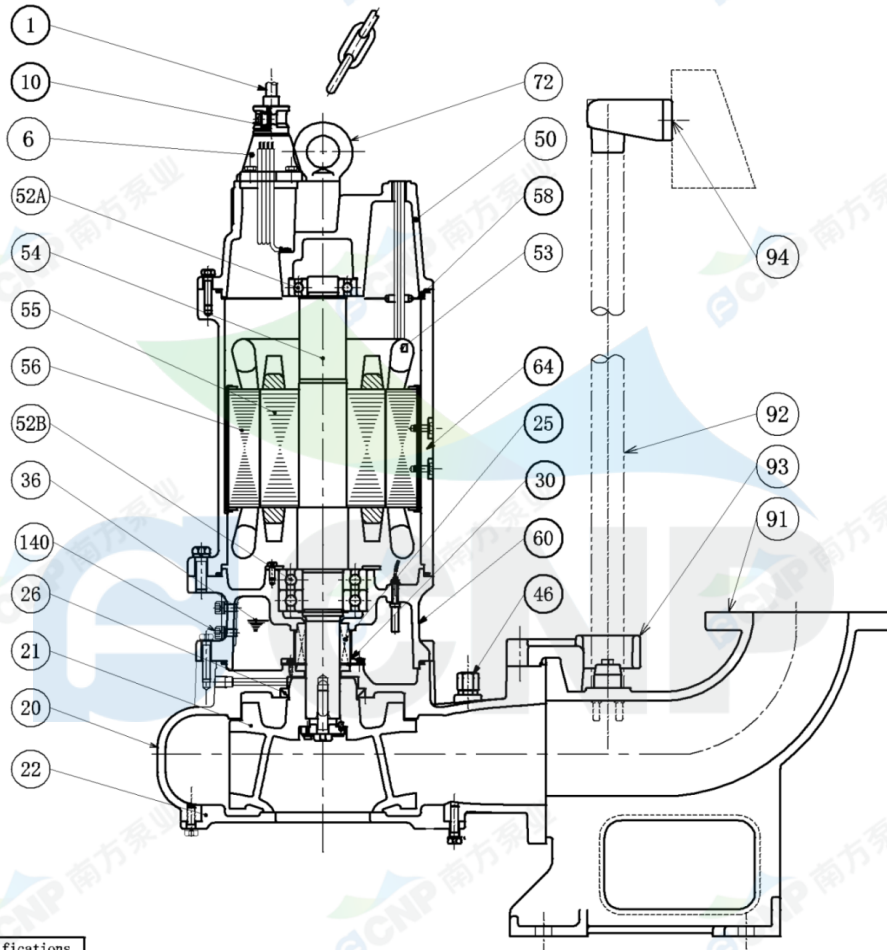
Pumped medium	Clean Water
Working temperature (°C)	20
Medium density (kg/m <sup>3</sup> )	1000
Viscosity (mm <sup>2</sup> /s)	1



	<b>Structure picture</b> <b>150WQ200-17-18.5JY(I)</b>	Manufacturer	CNP
		Address	Yuhang District, Hangzhou, Zhejiang,
Project Name		Contact	86-571-88637351
		Date	2022/03/09
Item NO		Client Name	DPA
		Client Addr.	
		Contacts	Alireza
		Contact	

 CNP Nanfang Zhongjin Environment Co., Ltd.

	SECTIONAL DRAWING	No.	No.
TYPE	submersible sewage pump	MODEL	18.5/22KW



order specifications

No.	names of parts	number	material	No.	names of parts	number	material
1	cable	1	YZW	20	casing	1	HT200
6	cable sleeve	1	HT200	21	impeller	1	HT200
50	top cover	1	HT200	26	framework oil seal	1	NBRI-2
58	cable transit board	1	Q235	140	oil filler plug	2	SUS304
64	base	1	HT200	36	machine oil 32#		
25	mechanical seal	1	Carbon/SiC	52B	lower bearing	2	
60	lower cover	1	HT200	56	stator	1	
30	oil lift	1		55	rotor	1	
46	Air release bolt	1		54	shaft	1	
94	guiding	1	HT200	53	Mini-thermalprotector	1	
92	pipe	1	SUS304(unaffiliated)	52A	upper bearing	1	
93	guide hook	1	HT200	72	eye bolt	2	45#(forging galvanized)
91	water outlet base	1	HT200	95	lift chain	1	SUS304
22	water inlet cover	1	HT200	10	电缆线锁紧块	2	HT200

Nanfang Zhongjin Environment CO.,LTD.

unit: mm



### Installation picture 150WQ200-17-18.5JY(I)

Manufacturer	CNP
Address	Yuhang District, Hangzhou, Zhejiang,
Contact	86-571-88637351
Date	2022/03/09
Client Name	DPA
Client Addr.	
Contacts	Alireza
Contact	

Project Name

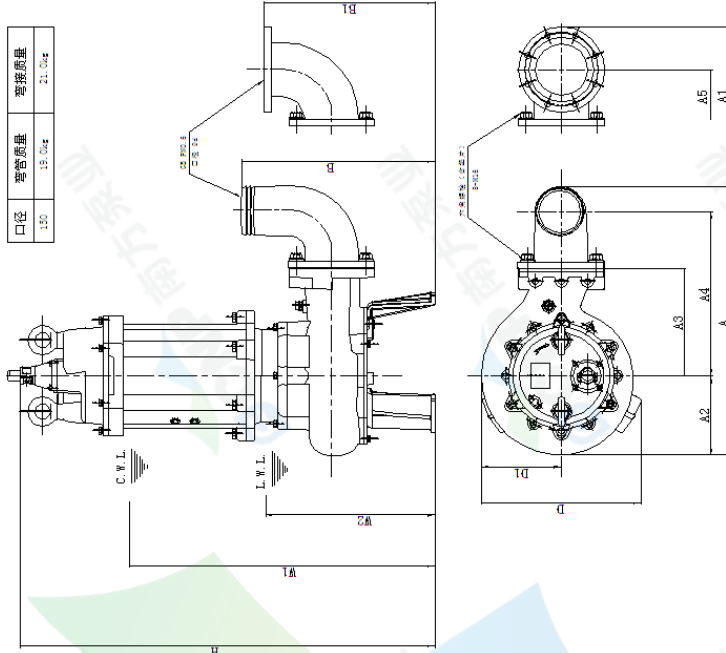
Item NO

CNP 中金环境

外形尺寸		DIMENSION DRAWING		No.	No.
TYPE		污水污物潜水泵		150WQ200-17-18.5JY	
名称				MODEL	
				型号	

型号	d	A	A1	A2	A3	A4	A5	B	B1	D	D1	W1	W2	H	本体质量
150WQ200-17-18.5JY	150	527	588	242	330	268	513	599	300	490	247	980	480	1270	252kg

口径	管径质量	总质量
150	19.0kg	21.0kg



C.W.L.: 连续运行最低水位  
L.W.L.: 可能运行最低水位

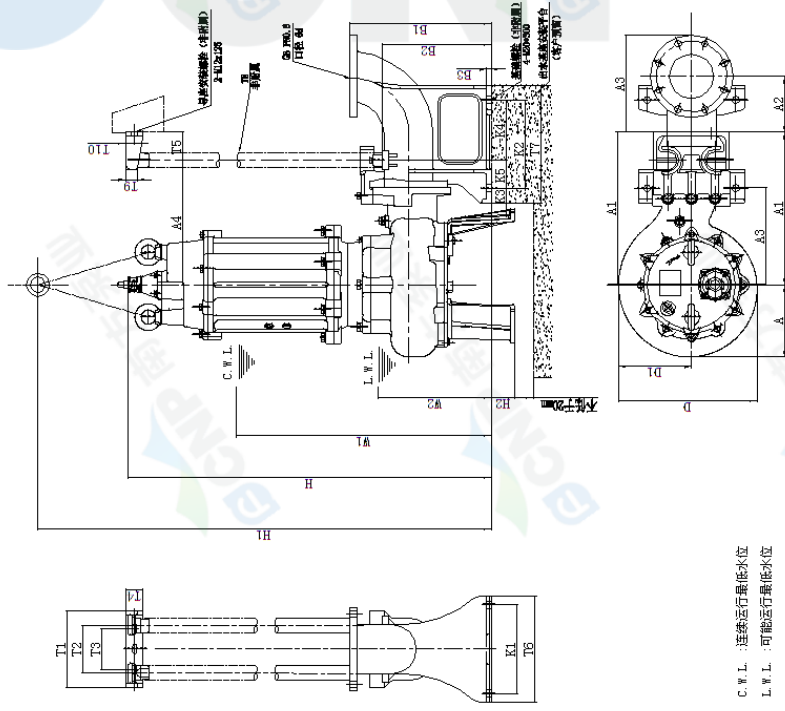
南方中金环境股份有限公司 Nanfang Zhongjin Environment CO.,LTD. unit: mm

CNP 中金环境

安装外形尺寸		DIMENSION DRAWING		No.	No.
TYPE		污水污物潜水泵		150WQ200-17-18.5JY	
名称				MODEL	
				型号	

型号	A	A1	A2	A3	A4	D	D1	W1	W2	H	总质量
150WQ200-17-18.5JY	242	517	588	330	422	490	247	940	420	2200	40

型号	d	T1	T2	T3	T4	T5	T6	T7	T8	T9	T10	T11	T12	T13	T14	T15	T16	T17	T18	T19	T20	T21	T22	T23	T24	T25	T26	T27	T28	T29	T30	T31	T32	T33	T34	T35	T36	T37	T38	T39	T40	T41	T42	T43	T44	T45	T46	T47	T48	T49	T50	T51	T52	T53	T54	T55	T56	T57	T58	T59	T60	T61	T62	T63	T64	T65	T66	T67	T68	T69	T70	T71	T72	T73	T74	T75	T76	T77	T78	T79	T80	T81	T82	T83	T84	T85	T86	T87	T88	T89	T90	T91	T92	T93	T94	T95	T96	T97	T98	T99	T100	T101	T102	T103	T104	T105	T106	T107	T108	T109	T110	T111	T112	T113	T114	T115	T116	T117	T118	T119	T120	T121	T122	T123	T124	T125	T126	T127	T128	T129	T130	T131	T132	T133	T134	T135	T136	T137	T138	T139	T140	T141	T142	T143	T144	T145	T146	T147	T148	T149	T150	T151	T152	T153	T154	T155	T156	T157	T158	T159	T160	T161	T162	T163	T164	T165	T166	T167	T168	T169	T170	T171	T172	T173	T174	T175	T176	T177	T178	T179	T180	T181	T182	T183	T184	T185	T186	T187	T188	T189	T190	T191	T192	T193	T194	T195	T196	T197	T198	T199	T200	T201	T202	T203	T204	T205	T206	T207	T208	T209	T210	T211	T212	T213	T214	T215	T216	T217	T218	T219	T220	T221	T222	T223	T224	T225	T226	T227	T228	T229	T230	T231	T232	T233	T234	T235	T236	T237	T238	T239	T240	T241	T242	T243	T244	T245	T246	T247	T248	T249	T250	T251	T252	T253	T254	T255	T256	T257	T258	T259	T260	T261	T262	T263	T264	T265	T266	T267	T268	T269	T270	T271	T272	T273	T274	T275	T276	T277	T278	T279	T280	T281	T282	T283	T284	T285	T286	T287	T288	T289	T290	T291	T292	T293	T294	T295	T296	T297	T298	T299	T300	T301	T302	T303	T304	T305	T306	T307	T308	T309	T310	T311	T312	T313	T314	T315	T316	T317	T318	T319	T320	T321	T322	T323	T324	T325	T326	T327	T328	T329	T330	T331	T332	T333	T334	T335	T336	T337	T338	T339	T340	T341	T342	T343	T344	T345	T346	T347	T348	T349	T350	T351	T352	T353	T354	T355	T356	T357	T358	T359	T360	T361	T362	T363	T364	T365	T366	T367	T368	T369	T370	T371	T372	T373	T374	T375	T376	T377	T378	T379	T380	T381	T382	T383	T384	T385	T386	T387	T388	T389	T390	T391	T392	T393	T394	T395	T396	T397	T398	T399	T400	T401	T402	T403	T404	T405	T406	T407	T408	T409	T410	T411	T412	T413	T414	T415	T416	T417	T418	T419	T420	T421	T422	T423	T424	T425	T426	T427	T428	T429	T430	T431	T432	T433	T434	T435	T436	T437	T438	T439	T440	T441	T442	T443	T444	T445	T446	T447	T448	T449	T450	T451	T452	T453	T454	T455	T456	T457	T458	T459	T460	T461	T462	T463	T464	T465	T466	T467	T468	T469	T470	T471	T472	T473	T474	T475	T476	T477	T478	T479	T480	T481	T482	T483	T484	T485	T486	T487	T488	T489	T490	T491	T492	T493	T494	T495	T496	T497	T498	T499	T500
----	---	----	----	----	----	----	----	----	----	----	-----	-----	-----	-----	-----	-----	-----	-----	-----	-----	-----	-----	-----	-----	-----	-----	-----	-----	-----	-----	-----	-----	-----	-----	-----	-----	-----	-----	-----	-----	-----	-----	-----	-----	-----	-----	-----	-----	-----	-----	-----	-----	-----	-----	-----	-----	-----	-----	-----	-----	-----	-----	-----	-----	-----	-----	-----	-----	-----	-----	-----	-----	-----	-----	-----	-----	-----	-----	-----	-----	-----	-----	-----	-----	-----	-----	-----	-----	-----	-----	-----	-----	-----	-----	-----	-----	-----	-----	-----	-----	------	------	------	------	------	------	------	------	------	------	------	------	------	------	------	------	------	------	------	------	------	------	------	------	------	------	------	------	------	------	------	------	------	------	------	------	------	------	------	------	------	------	------	------	------	------	------	------	------	------	------	------	------	------	------	------	------	------	------	------	------	------	------	------	------	------	------	------	------	------	------	------	------	------	------	------	------	------	------	------	------	------	------	------	------	------	------	------	------	------	------	------	------	------	------	------	------	------	------	------	------	------	------	------	------	------	------	------	------	------	------	------	------	------	------	------	------	------	------	------	------	------	------	------	------	------	------	------	------	------	------	------	------	------	------	------	------	------	------	------	------	------	------	------	------	------	------	------	------	------	------	------	------	------	------	------	------	------	------	------	------	------	------	------	------	------	------	------	------	------	------	------	------	------	------	------	------	------	------	------	------	------	------	------	------	------	------	------	------	------	------	------	------	------	------	------	------	------	------	------	------	------	------	------	------	------	------	------	------	------	------	------	------	------	------	------	------	------	------	------	------	------	------	------	------	------	------	------	------	------	------	------	------	------	------	------	------	------	------	------	------	------	------	------	------	------	------	------	------	------	------	------	------	------	------	------	------	------	------	------	------	------	------	------	------	------	------	------	------	------	------	------	------	------	------	------	------	------	------	------	------	------	------	------	------	------	------	------	------	------	------	------	------	------	------	------	------	------	------	------	------	------	------	------	------	------	------	------	------	------	------	------	------	------	------	------	------	------	------	------	------	------	------	------	------	------	------	------	------	------	------	------	------	------	------	------	------	------	------	------	------	------	------	------	------	------	------	------	------	------	------	------	------	------	------	------	------	------	------	------	------	------	------	------	------	------	------	------	------	------	------	------	------	------	------	------	------	------	------	------	------	------	------	------	------	------	------	------	------	------	------	------	------	------	------	------	------	------	------	------	------



C.W.L.: 连续运行最低水位  
L.W.L.: 可能运行最低水位

南方中金环境股份有限公司 Nanfang Zhongjin Environment CO.,LTD. unit: mm