
	<b>Product Information</b> <b>150WQ150-25-22JY(I)</b>	Manufacturer	CNP
		Address	Yuhang District, Hangzhou, Zhejiang,
<b>Project Name</b>		Contact	86-571-88637351
		Date	2022/03/09
<b>Item NO</b>		Client Name	DPA
		Client Addr.	
		Contacts	Alireza
		Contact	

Part NO.	150WQ150-25-22JY
----------	------------------

Product Picture	Note
	<p>The sewage submersible pump is composed of two parts: the motor and the pump.</p> <p>The two are separated by an oil chamber and a mechanical seal assembly.</p> <p>Divided into fixed automatic coupling installation and mobile installation</p>

### technology

Pump rotator speed	1460
Nameplate standards	CE

### Material

Impeller	HT200
Pump shaft	20cr13
Rubber code	P
Pump case	HT200

### Installation

Connection Code	F
Maximum Pressure/Temperatur	6bar/40
Flange Standard	DIN
Pressure Class	PN6

### Medium

Medium Temperature	40
Maximum diameter of partic	65
Maximum Environment Temper	40

### Structure dimension

Standard caliber	DN
Outlet Diameter	DN150

### Motor

Number of Motor Phase	Three Phase
Protection Class	IP68
Insulation Class	F
Motor Power	22
Power Frequency	50HZ
Rated Voltage (V)	380V
Rated Current (A)	43.1
Starting mode	direct boot

### Seal

Mechanical Seal	H-50
-----------------	------

### Others

Weight (kg)	323
-------------	-----



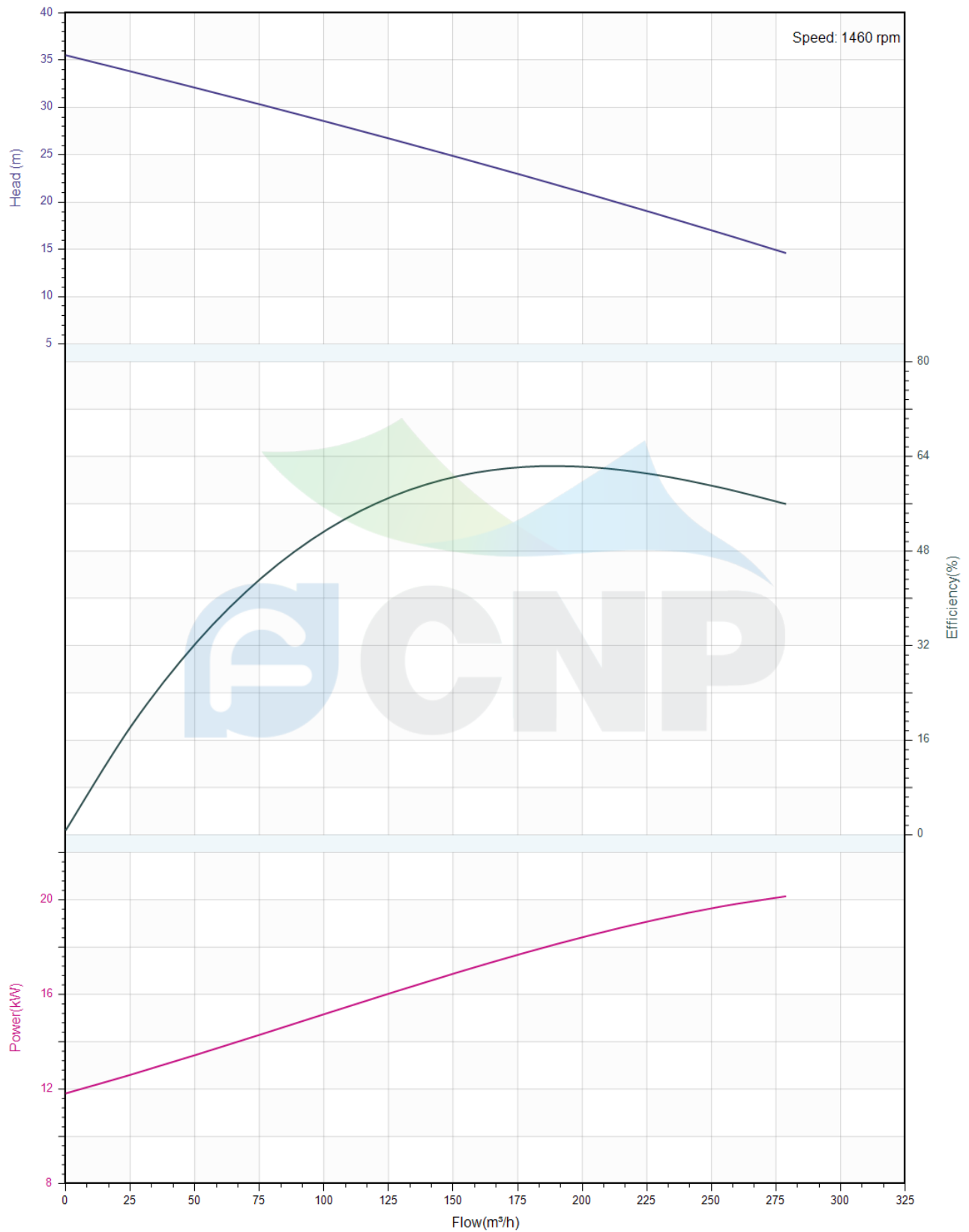
### Performance Curve 150WQ150-25-22JY(I)

Manufacturer	CNP
Address	Yuhang District, Hangzhou, Zhejiang,
Contact	86-571-88637351
Date	2022/03/09
Client Name	DPA
Client Addr.	
Contacts	Alireza
Contact	

Project Name

Item NO

The hydraulic performance curve have been tested with Clean Water at 20°C, density 1000kg/m<sup>3</sup>, and at 1bar atmospheric pressure. ISO99062012 Grade 3B





## Pump Technical Parameters 150WQ150-25-22JY(I)

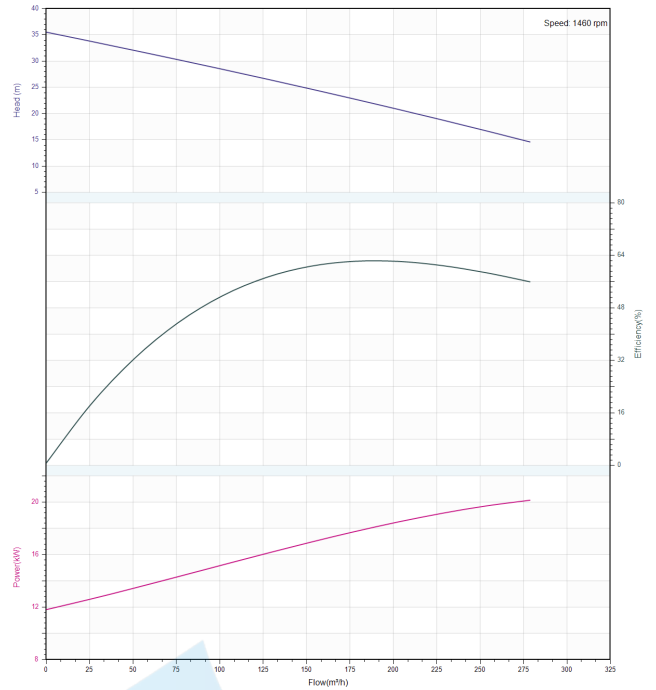
Manufacturer	CNP
Address	Yuhang District, Hangzhou, Zhejiang,
Contact	86-571-88637351
Date	2022/03/09
Client Name	DPA
Client Addr.	
Contacts	Alireza
Contact	


### Rated parameters

Pump model	150WQ150-25-22JY(I)
Part NO.	150WQ150-25-22JY
Rated flow (m <sup>3</sup> /h)	150
Rated head (m)	25
Rated efficiency (%)	60.1
Power (kW)	17
NPSHr (m)	2
Speed (rpm)	1460

### Medium

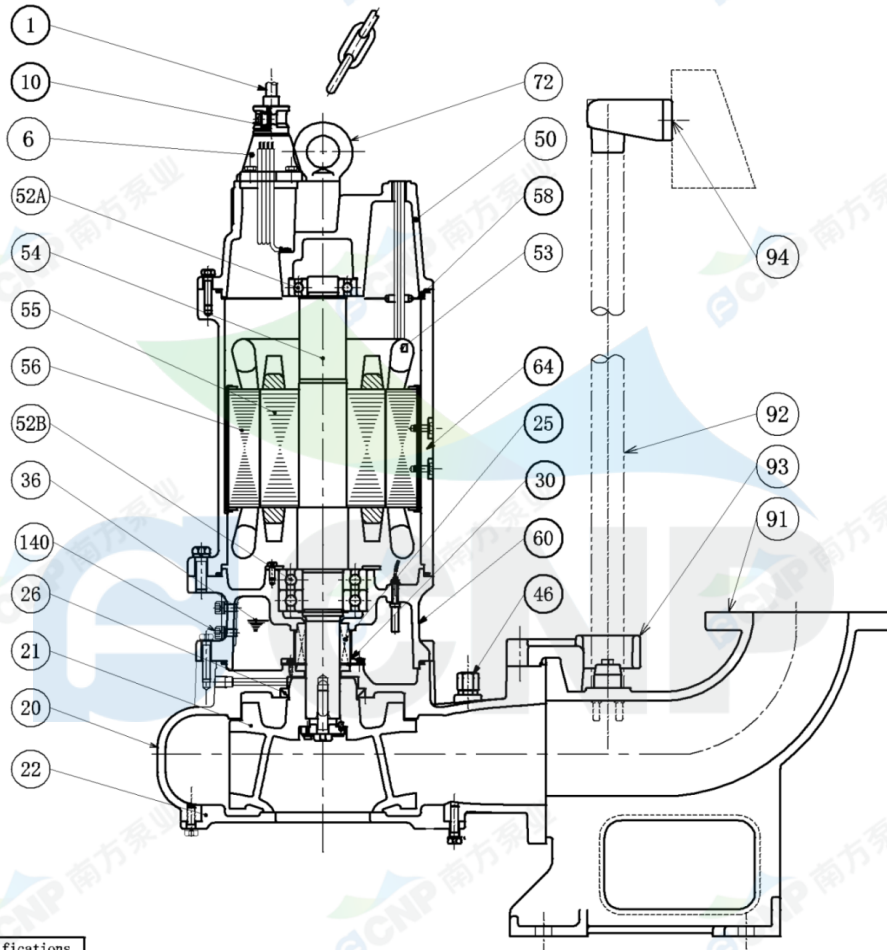
Pumped medium	Clean Water
Working temperature (°C)	20
Medium density (kg/m <sup>3</sup> )	1000
Viscosity (mm <sup>2</sup> /s)	1



	<b>Structure picture</b> <b>150WQ150-25-22JY(I)</b>	Manufacturer	CNP
		Address	Yuhang District, Hangzhou, Zhejiang,
Project Name		Contact	86-571-88637351
		Date	2022/03/09
Item NO		Client Name	DPA
		Client Addr.	
		Contacts	Alireza
		Contact	

**CNP** Nanfang Zhongjin Environment Co., Ltd.

	SECTIONAL DRAWING	No.	No.
TYPE	submersible sewage pump	MODEL	18. 5/22KW



order specifications

No.	names of parts	number	material	No.	names of parts	number	material
1	cable	1	YZW	20	casing	1	HT200
6	cable sleeve	1	HT200	21	impeller	1	HT200
50	top cover	1	HT200	26	framework oil seal	1	NBRI-2
58	cable transit board	1	Q235	140	oil filler plug	2	SUS304
64	base	1	HT200	36	machine oil 32#		
25	mechanical seal	1	Carbon/SiC	52B	lower bearing	2	
60	lower cover	1	HT200	56	stator	1	
30	oil lift	1		55	rotor	1	
46	Air release bolt	1		54	shaft	1	
94	guiding	1	HT200	53	Mini-thermalprotector	1	
92	pipe	1	SUS304(unaffiliated)	52A	upper bearing	1	
93	guide hook	1	HT200	72	eye bolt	2	45#(forging galvanized)
91	water outlet base	1	HT200	95	lift chain	1	SUS304
22	water inlet cover	1	HT200	10	电缆线锁紧块	2	HT200

Nanfang Zhongjin Environment CO.,LTD.

unit: mm



## Installation picture 150WQ150-25-22JY(I)

Manufacturer	CNP
Address	Yuhang District, Hangzhou, Zhejiang,
Contact	86-571-88637351
Date	2022/03/09
Client Name	DPA
Client Addr.	
Contacts	Alireza
Contact	

Project Name

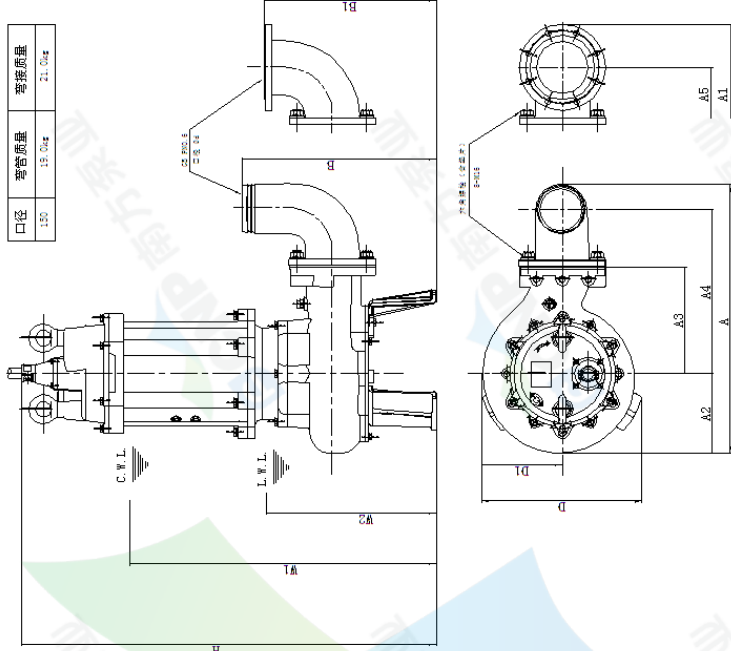
Item NO

CNP 中金环境

外形尺寸	DIMENSION DRAWING	No.	No.
TYPE	污水污物潜水泵	MODEL	150WQ150-25-22JY
名称		型号	

型号	d	A	A1	A2	A3	A4	A5	B	B1	D	D1	H	H1	H2	K	本体质量
150WQ150-25-22JY	150	827	888	248	330	508	513	589	500	480	247	860	460	460	1373	300kg

口径	管质量	管长度
150	15.0kg	21.0m



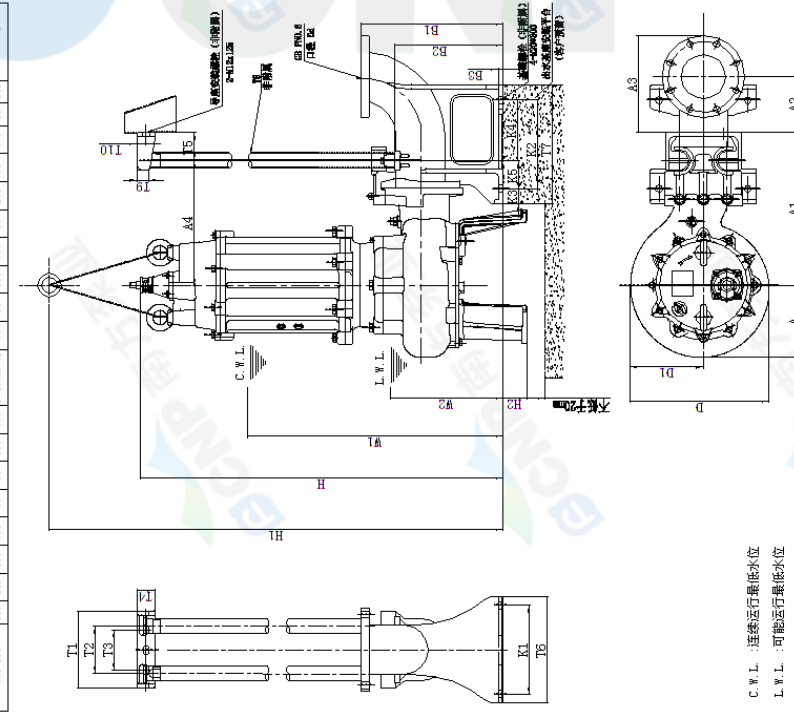
C.W.L.: 连续运行最低水位  
L.W.L.: 可能运行最低水位

unit: mm  
Manfang Zhongjin Environment CO., LTD.

CNP 中金环境

安装外形尺寸	DIMENSION DRAWING	No.	No.
TYPE	污水污物潜水泵	MODEL	150WQ150-25-22JY
名称		型号	

型号	A	A1	A2	A3	A4	D	D1	H	H1	H2	管长度
150WQ150-25-22JY	248	517	150	330	422	480	247	840	420	2220	40



C.W.L.: 连续运行最低水位  
L.W.L.: 可能运行最低水位

unit: mm  
Manfang Zhongjin Environment CO., LTD.