
	Product Information 150WQ150-19-15JY(I)	Manufacturer	CNP
		Address	Yuhang District, Hangzhou, Zhejiang,
Project Name		Contact	86-571-88637351
		Date	2022/03/09
		Client Name	DPA
Item NO		Client Addr.	
		Contacts	Alireza
		Contact	

Part NO.	150WQ150-19-15JY
----------	------------------

Product Picture	Note
	<p>The sewage submersible pump is composed of two parts: the motor and the pump.</p> <p>The two are separated by an oil chamber and a mechanical seal assembly.</p> <p>Divided into fixed automatic coupling installation and mobile installation</p>

technology	
Pump rotator speed	1440
Nameplate standards	CE
Material	
Impeller	HT200
Pump shaft	20cr13
Rubber code	P
Pump case	HT200
Installation	
Connection Code	F
Maximum Pressure/Temperatu	6bar/40
Flange Standard	DIN
Pressure Class	PN6
Medium	
Medium Temperature	40
Maximum diameter of partic	57
Maximum Environment Temper	40
Structure dimension	
Standard caliber	DN
Outlet Diameter	DN150
Motor	
Number of Motor Phase	Three Phase
Protection Class	IP68
Insulation Class	F
Motor Power	15
Power Frequency	50HZ
Rated Voltage (V)	380V
Rated Current (A)	30.6
Starting mode	direct boot
Seal	
Mechanical Seal	H-50
Others	
Weight (kg)	240



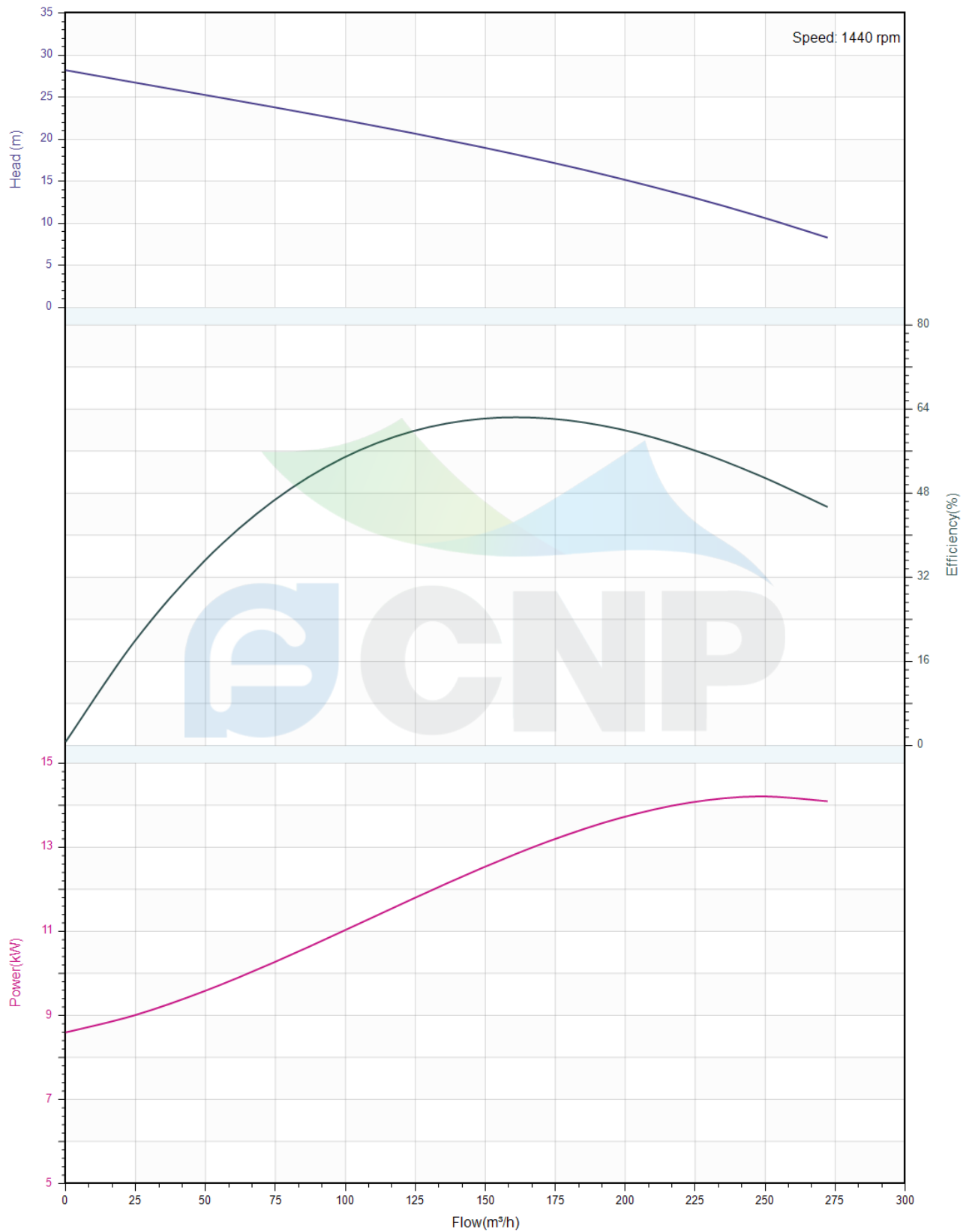
Performance Curve 150WQ150-19-15JY(I)

Manufacturer	CNP
Address	Yuhang District, Hangzhou, Zhejiang,
Contact	86-571-88637351
Date	2022/03/09
Client Name	DPA
Client Addr.	
Contacts	Alireza
Contact	

Project Name

Item NO

The hydraulic performance curve have been tested with Clean Water at 20°C, density 1000kg/m³, and at 1bar atmospheric pressure. ISO99062012 Grade 3B





Pump Technical Parameters 150WQ150-19-15JY(I)

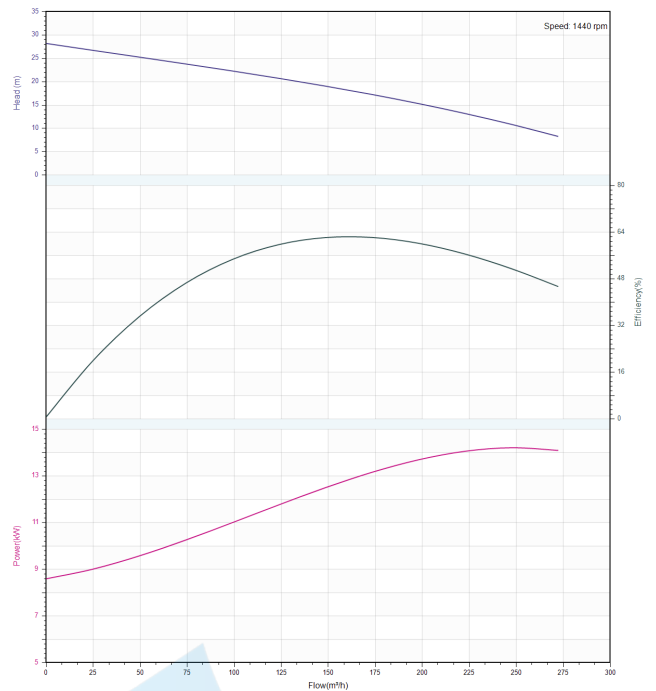
Manufacturer	CNP
Address	Yuhang District, Hangzhou, Zhejiang,
Contact	86-571-88637351
Date	2022/03/09
Client Name	DPA
Client Addr.	
Contacts	Alireza
Contact	


Rated parameters

Pump model	150WQ150-19-15JY(I)
Part NO.	150WQ150-19-15JY
Rated flow (m ³ /h)	150
Rated head (m)	19
Rated efficiency (%)	62
Power (kW)	12.53
NPSHr (m)	2
Speed (rpm)	1440

Medium

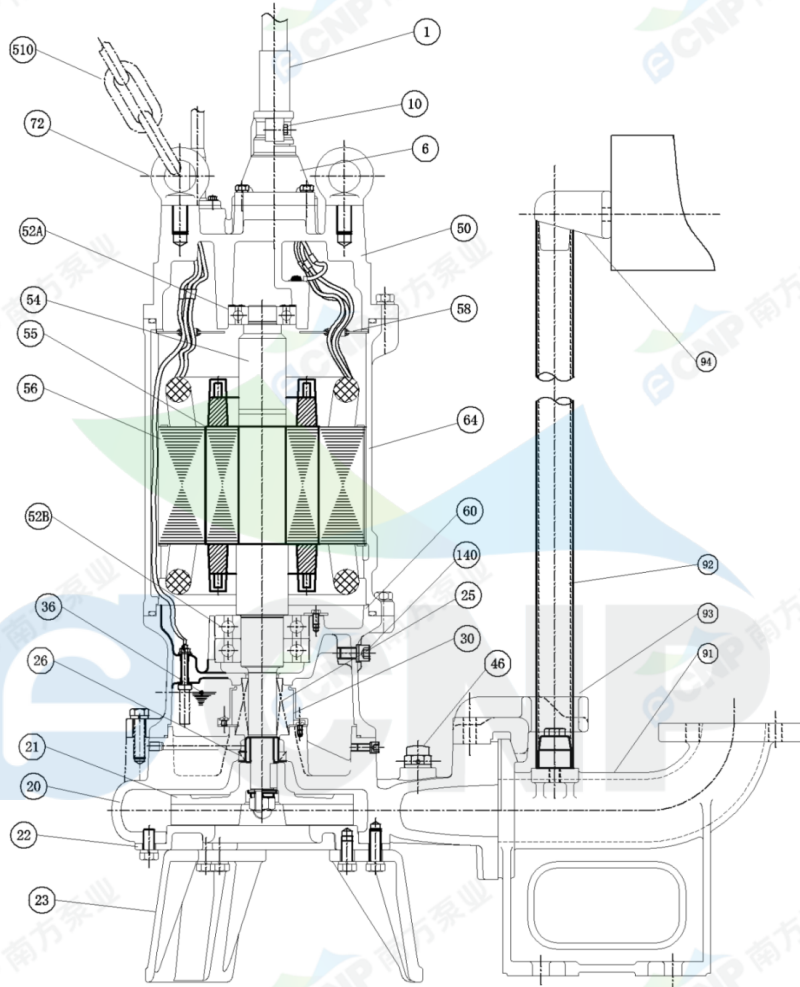
Pumped medium	Clean Water
Working temperature (°C)	20
Medium density (kg/m ³)	1000
Viscosity (mm ² /s)	1



	Structure picture 150WQ150-19-15JY(I)	Manufacturer	CNP
		Address	Yuhang District, Hangzhou, Zhejiang,
		Contact	86-571-88637351
		Date	2022/03/09
Project Name		Client Name	DPA
Item NO		Client Addr.	
		Contacts	Alireza
		Contact	

CNP Nanfang Zhongjin Environment Co., Ltd.

	SECTIONAL DRAWING	No.	No.
TYPE	submersible sewage pump	MODEL	WQ-11/15kW



order specifications	

No.	names of parts	number	material	No.	names of parts	number	material
1	cable	1	YZW	20	casing	1	HT200
6	cable sleeve	1	HT200	21	impeller	1	HT200
50	top cover	1	HT200	26	framework oil seal	1	NBR-2
58	cable transit board	1	Q235	140	oil filler plug	2	SUS304
64	base	1	HT200	36	machine oil 32#		
25	mechanical seal	1	Carbon/SIC	52B	lower bearing	2	
60	lower cover	1	HT200	56	stator	1	
30	oil lift	1		55	rotor	1	
46	Air release bolt	1		54	shaft	1	
94	guiding	1	HT200	52A	upper bearing	1	
92	pipe	1	SUS304(unaffiliated)	72	eye bolt	2	SUS304
93	guide hook	1	HT200	510	lift chain	1	45#(forging galvanized)
91	water outlet base	1	HT200	23	foot bracket	3	HT200
22	water inlet cover	1	HT200	10	Cable lockblock	2	HT200

Nanfang Zhongjin Environment CO.,LTD.

unit : mm



Installation picture 150WQ150-19-15JY(I)

Manufacturer	CNP
Address	Yuhang District, Hangzhou, Zhejiang,
Contact	86-571-88637351
Date	2022/03/09
Client Name	DPA
Client Addr.	
Contacts	Alireza
Contact	

Project Name

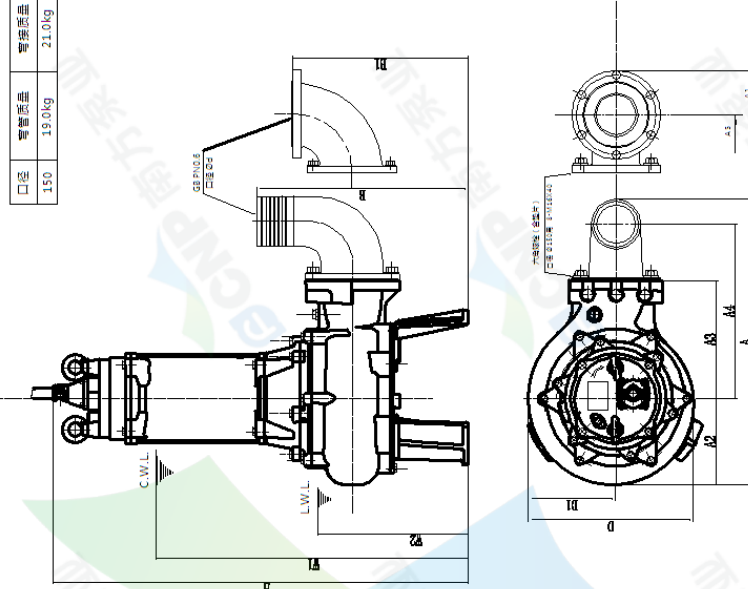
Item NO

CNP 中金环境

外形尺寸	DIMENSION DRAWING											No.
TYPE 名称	污水污物潜水泵											150WQ150-19-15JY

型号	d	A	A1	A2	A3	A4	A5	B	B1	D	D1	W1	W2	H	本体质量
150WQ150-19-15JY	150	825	893	243	330	505	505	603	535	490	245	880	433	1167	2377kg

口径	重量	净重
150	19.0kg	21.0kg

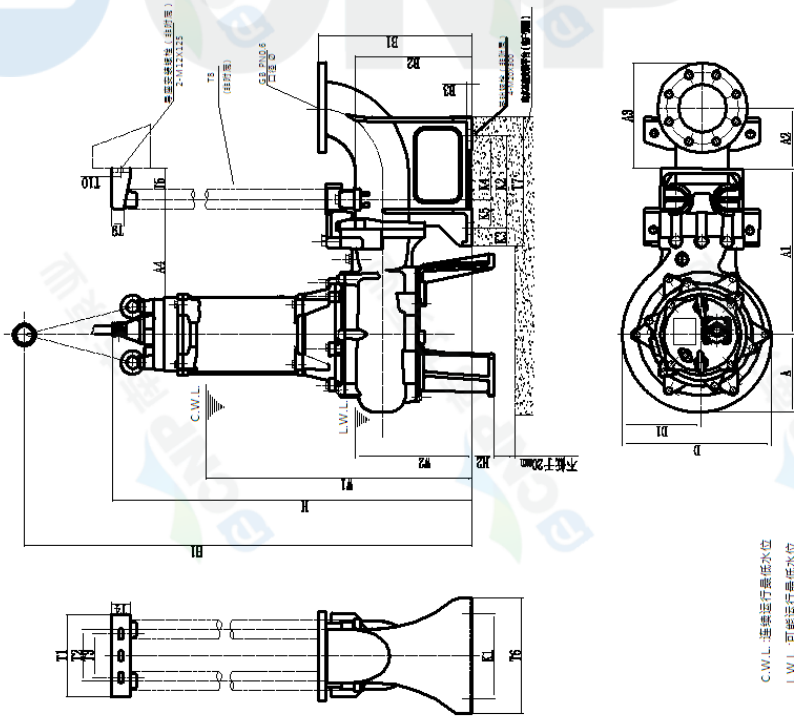


CNP 中金环境

安装外形尺寸	DIMENSION DRAWING											No.
TYPE 名称	污水污物潜水泵											150WQ150-19-15JY

型号	A	A1	A2	A3	A4	A5	B	B1	D	D1	W1	W2	H	本体质量
150WQ150-19-15JY	248	332	390	390	423	485	488	488	1122	1100	45	45	45	237kg

电机功率	Q	H	η	W	W1	W2	H	W	W1	W2	H	η	W	W1	W2	H	本体质量	
1000W	120	130	100	100	100	100	100	100	100	100	100	100	100	100	100	100	100	100



C.W.L. 连续运行最高水位
L.W.L. 可能运行最高水位

南方中金环境股份有限公司 Nantang Zhongjin Environment CO.,LTD. unit : mm

南方中金环境股份有限公司 Nantang Zhongjin Environment CO.,LTD. unit : mm