
	<b>Product Information</b> <b>100WQ80-35-18.5(I)</b>	Manufacturer	CNP
		Address	Yuhang District, Hangzhou, Zhejiang,
<b>Project Name</b>		Contact	86-571-88637351
		Date	2022/03/09
		Client Name	DPA
<b>Item NO</b>		Client Addr.	
		Contacts	Alireza
		Contact	

Part NO.	100WQ80-35-18.5(I)		
Product Picture	Note		
	<p>The sewage submersible pump is composed of two parts: the motor and the pump.  The two are separated by an oil chamber and a mechanical seal assembly.  Divided into fixed automatic coupling installation and mobile installation</p>		

<b>technology</b>	
Pump rotator speed	1460
Nameplate standards	CE
<b>Material</b>	
Impeller	HT200
Pump shaft	20cr13
Rubber code	P
Pump case	HT200
<b>Installation</b>	
Connection Code	F
Maximum Pressure/Temperatur	6bar/40
Flange Standard	DIN
Pressure Class	PN6
<b>Medium</b>	
Medium Temperature	40
Maximum diameter of partic	27.5
Maximum Environment Temper	40
<b>Structure dimension</b>	
Standard caliber	DN
Outlet Diameter	DN100
<b>Motor</b>	
Number of Motor Phase	Three Phase
Protection Class	IP68
Insulation Class	F
Motor Power	18.5
Power Frequency	50HZ
Rated Voltage (V)	380V
Rated Current (A)	36.9
Starting mode	direct boot
<b>Seal</b>	
Mechanical Seal	H-50
<b>Others</b>	
Weight (kg)	305



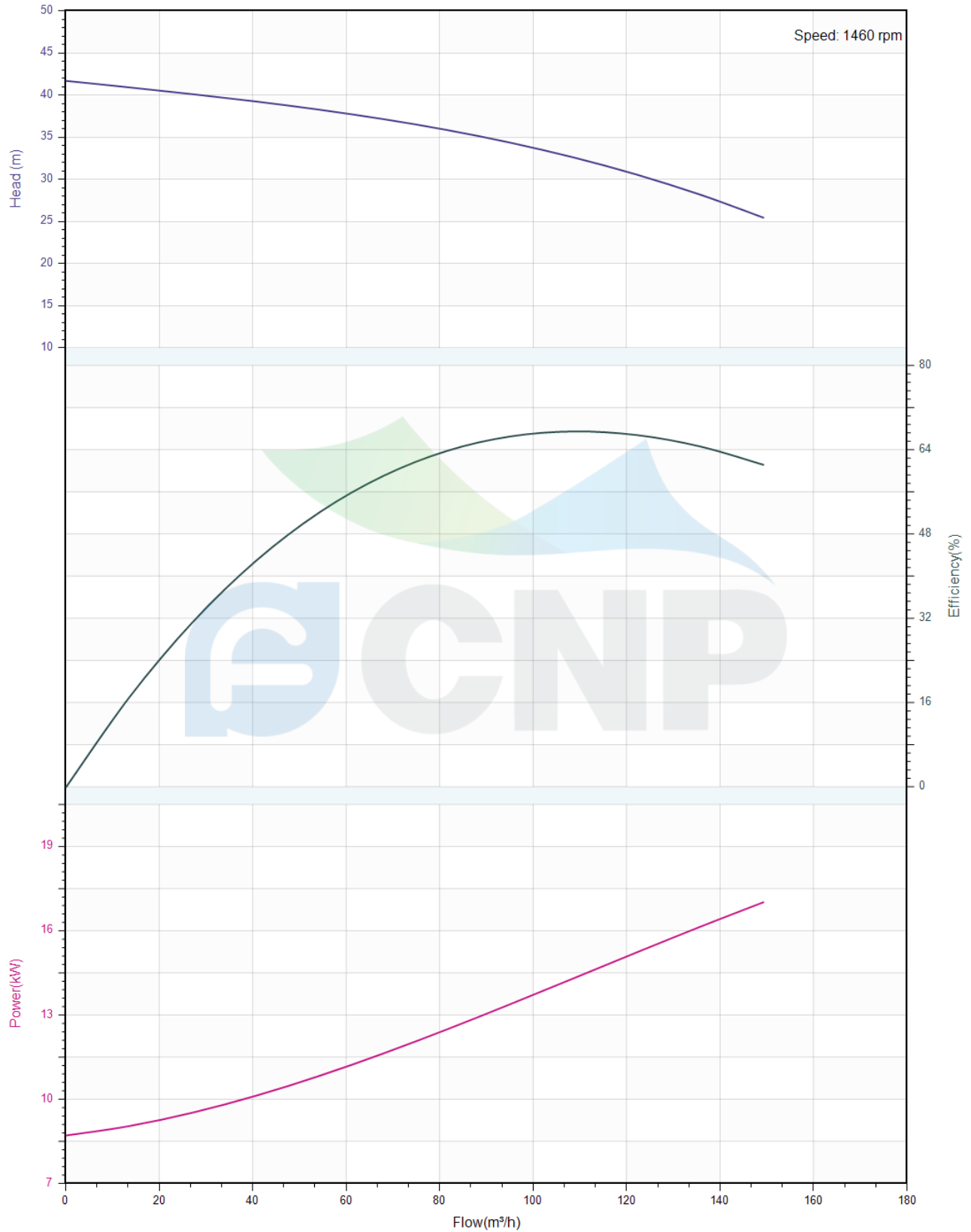
### Performance Curve 100WQ80-35-18.5(I)

Manufacturer	CNP
Address	Yuhang District, Hangzhou, Zhejiang,
Contact	86-571-88637351
Date	2022/03/09
Client Name	DPA
Client Addr.	
Contacts	Alireza
Contact	

Project Name

Item NO

The hydraulic performance curve have been tested with Clean Water at 20°C, density 1000kg/m<sup>3</sup>, and at 1bar atmospheric pressure. ISO99062012 Grade 3B





## Pump Technical Parameters 100WQ80-35-18.5(I)

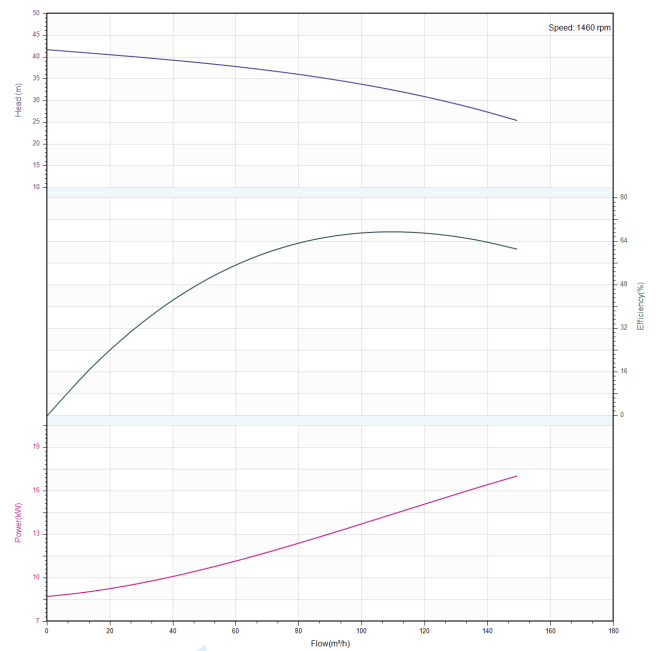
Manufacturer	CNP
Address	Yuhang District, Hangzhou, Zhejiang,
Contact	86-571-88637351
Date	2022/03/09
Client Name	DPA
Client Addr.	
Contacts	Alireza
Contact	


### Rated parameters


Pump model	100WQ80-35-18.5(I)
Part NO.	100WQ80-35-18.5(I)
Rated flow (m <sup>3</sup> /h)	80
Rated head (m)	35
Rated efficiency (%)	61.4
Power (kW)	15.05
Speed (rpm)	1460

### Medium

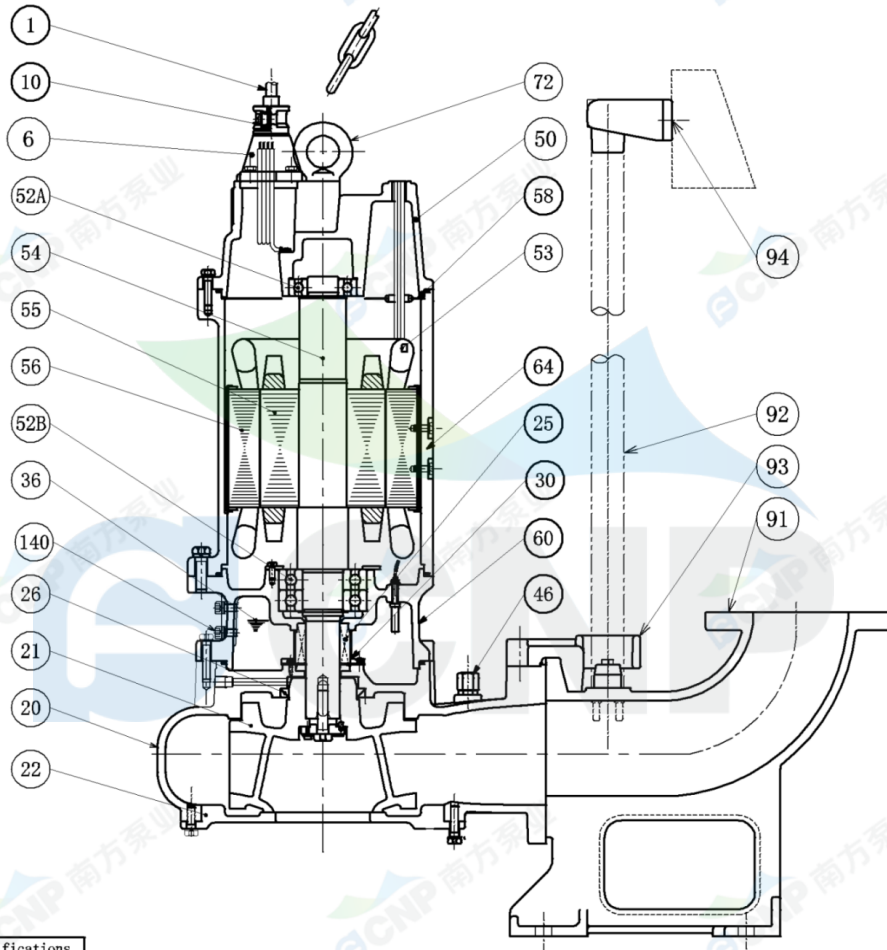
Pumped medium	Clean Water
Working temperature (°C)	20
Medium density (kg/m <sup>3</sup> )	1000
Viscosity (mm <sup>2</sup> /s)	1



	<b>Structure picture</b> <b>100WQ80-35-18.5(I)</b>	Manufacturer	CNP
		Address	Yuhang District, Hangzhou, Zhejiang,
Project Name		Contact	86-571-88637351
		Date	2022/03/09
Item NO		Client Name	DPA
		Client Addr.	
		Contacts	Alireza
		Contact	

 CNP Nanfang Zhongjin Environment Co., Ltd.

	SECTIONAL DRAWING	No.	No.
TYPE	submersible sewage pump	MODEL	18.5/22KW



order specifications

No.	names of parts	number	material	No.	names of parts	number	material
1	cable	1	YZW	20	casing	1	HT200
6	cable sleeve	1	HT200	21	impeller	1	HT200
50	top cover	1	HT200	26	framework oil seal	1	NBRI-2
58	cable transit board	1	Q235	140	oil filler plug	2	SUS304
64	base	1	HT200	36	machine oil 32#		
25	mechanical seal	1	Carbon/SIC	52B	lower bearing	2	
60	lower cover	1	HT200	56	stator	1	
30	oil lift	1		55	rotor	1	
46	Air release bolt	1		54	shaft	1	
94	guiding	1	HT200	53	Mini-thermalprotector	1	
92	pipe	1	SUS304(unaffiliated)	52A	upper bearing	1	
93	guide hook	1	HT200	72	eye bolt	2	45#(forging galvanized)
91	water outlet base	1	HT200	95	lift chain	1	SUS304
22	water inlet cover	1	HT200	10	电缆线锁紧块	2	HT200

Nanfang Zhongjin Environment CO.,LTD.

unit: mm



## Installation picture 100WQ80-35-18.5(I)

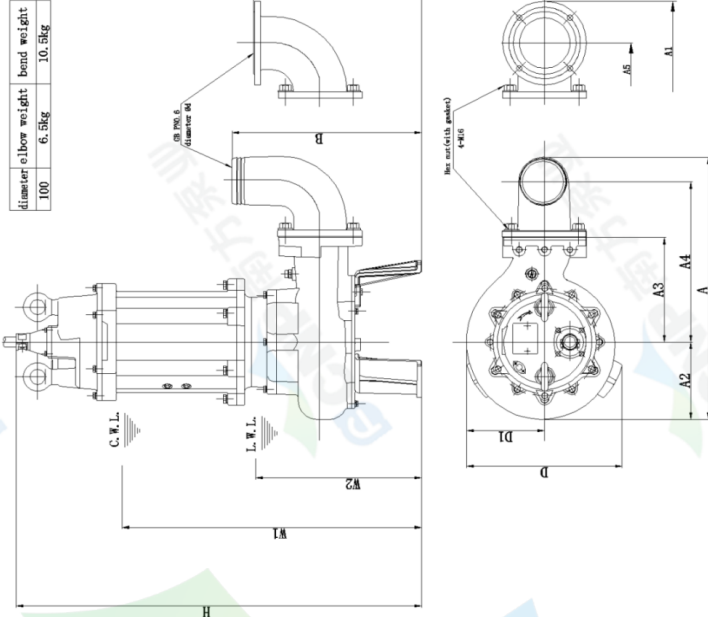
Manufacturer	CNP
Address	Yuhang District, Hangzhou, Zhejiang,
Contact	86-571-88637351
Date	2022/03/09
Client Name	DPA
Client Addr.	
Contacts	Alireza
Contact	

Project Name

Item NO

**CNP** Nanfang Zhongjin Environment Co., Ltd.

DIMENSION DRAWING		No.													
TYPE		submersible sewage pump		MODEL		100WQ80-35-18.5									
MODEL	d	A	A1	A2	A3	A4	A5	B	B1	D	D1	W1	W2	H	Body weight
100WQ80-35-18.5	100	758	230	253	352	456	150	393	439	501	262	620	944	990	285kg

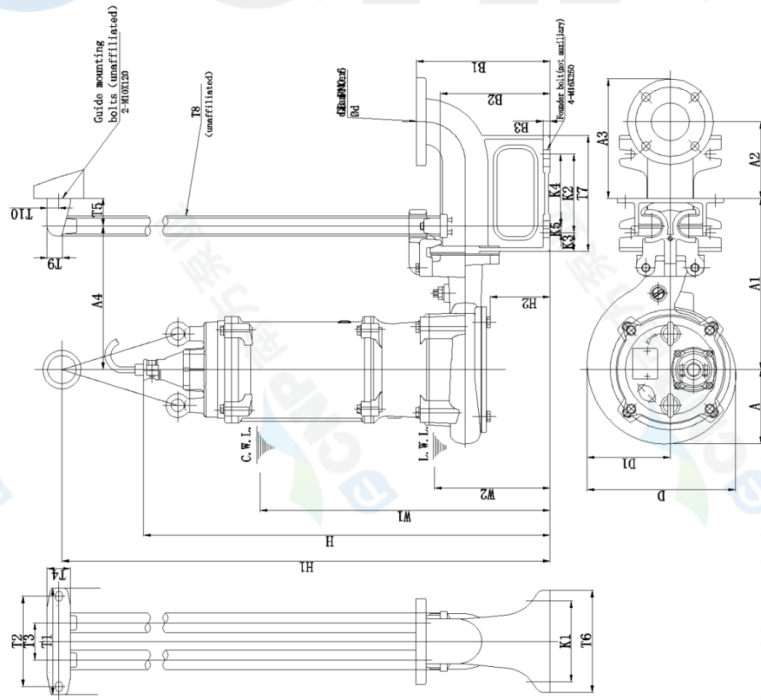


C.W.L.: minimum water level under continuous operation  
L.W.L.: minimum water level under possible operation

unit: mm  
Nanfang Zhongjin Environment CO., LTD.

**CNP** Nanfang Zhongjin Environment Co., Ltd.

DIMENSION DRAWING		No.																		
TYPE		submersible sewage pump		MODEL		100WQ80-35-18.5														
MODEL	d	A	A1	A2	A3	A4	D	D1	W1	W2	H	H1	H2	Body weight						
100WQ80-35-18.5	253	515	181	286	420	502	263	810	440	1166	1566	131	131	250kg						
Outlet diameter	d	T1	T2	T3	T4	T5	T6	T7	T8	T9	T10	K1	K2	K3	K4	K5	K6	K7	K8	Complete weight
100WQ80-35-18.5	100	300	245	100	60	85	250	290	27	60	45	181	19	340	285	15				35kg



C.W.L.: minimum water level under continuous operation  
L.W.L.: minimum water level under possible operation

unit: mm  
Nanfang Zhongjin Environment CO., LTD.