	Product Information 100WQ60-9-3(I)	Manufacturer	CNP
		Address	Yuhang District, Hangzhou, Zhejiang,
		Contact	86-571-88637351
		Date	2022/03/09
Project Name		Client Name	DPA
		Client Addr.	
Item NO		Contacts	Alireza
		Contact	

Part NO.	100WQ60-9-3(I)
----------	----------------

Product Picture	Note
	<p>The sewage submersible pump is composed of two parts: the motor and the pump.</p> <p>The two are separated by an oil chamber and a mechanical seal assembly.</p> <p>Divided into fixed automatic coupling installation and mobile installation</p>

technology	
Pump rotator speed	2840
Nameplate standards	CE
Material	
Impeller	HT200
Pump shaft	20cr13
Rubber code	P
Pump case	HT200
Installation	
Connection Code	F
Maximum Pressure/Temperatur	6bar/40
Flange Standard	DIN
Pressure Class	PN6
Medium	
Medium Temperature	40
Maximum diameter of partic	40
Maximum Environment Temper	40
Structure dimension	
Standard caliber	DN
Outlet Diameter	DN100
Motor	
Number of Motor Phase	Three Phase
Protection Class	IP68
Insulation Class	F
Motor Power	3
Power Frequency	50HZ
Rated Voltage (V)	380V
Rated Current (A)	6.1
Starting mode	direct boot
Seal	
Mechanical Seal	H-25
Others	
Weight (kg)	50

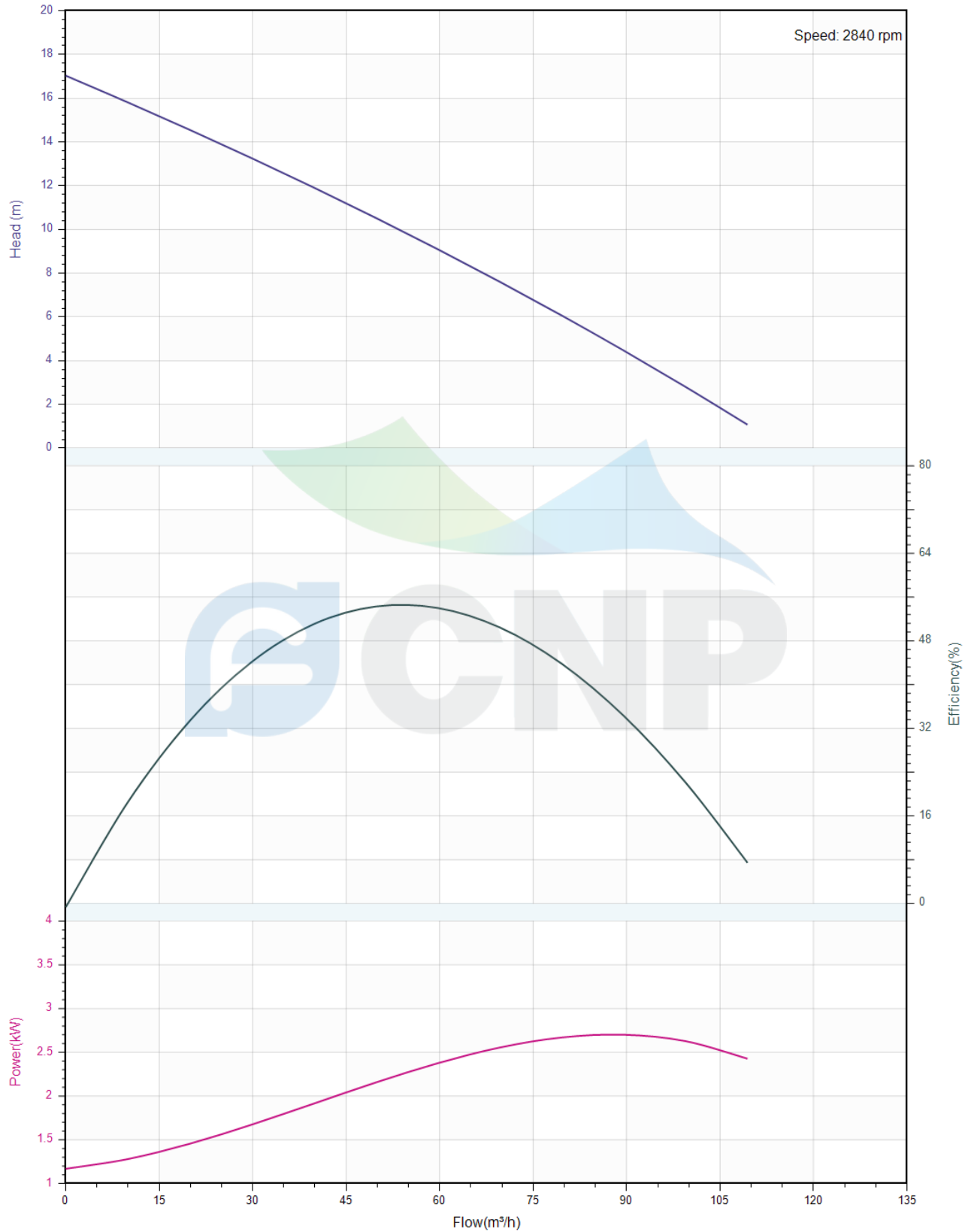



Performance Curve 100WQ60-9-3(I)

Manufacturer	CNP
Address	Yuhang District, Hangzhou, Zhejiang,
Contact	86-571-88637351
Date	2022/03/09
Client Name	DPA
Client Addr.	
Contacts	Alireza
Contact	

Project Name	
Item NO	

The hydraulic performance curve have been tested with Clean Water at 20°C, density 1000kg/m³, and at 1bar atmospheric pressure. ISO99062012 Grade 3B



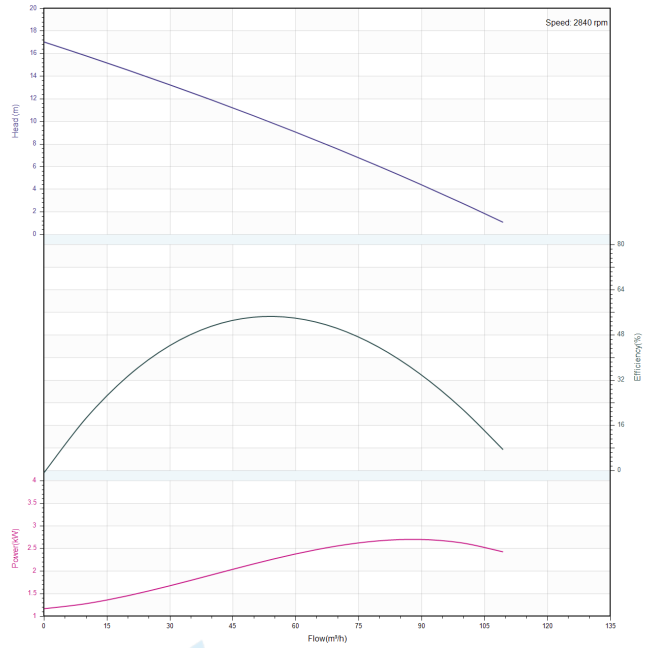
	Pump Technical Parameters 100WQ60-9-3(I)	Manufacturer	CNP
		Address	Yuhang District, Hangzhou, Zhejiang,
		Contact	86-571-88637351
		Date	2022/03/09
Project Name		Client Name	DPA
Item NO		Client Addr.	
		Contacts	Alireza
		Contact	


Rated parameters

Pump model	100WQ60-9-3(I)
Part NO.	100WQ60-9-3(I)
Rated flow (m ³ /h)	60
Rated head (m)	9
Rated efficiency (%)	57.2
Power (kW)	2.573
Speed (rpm)	2840

Medium

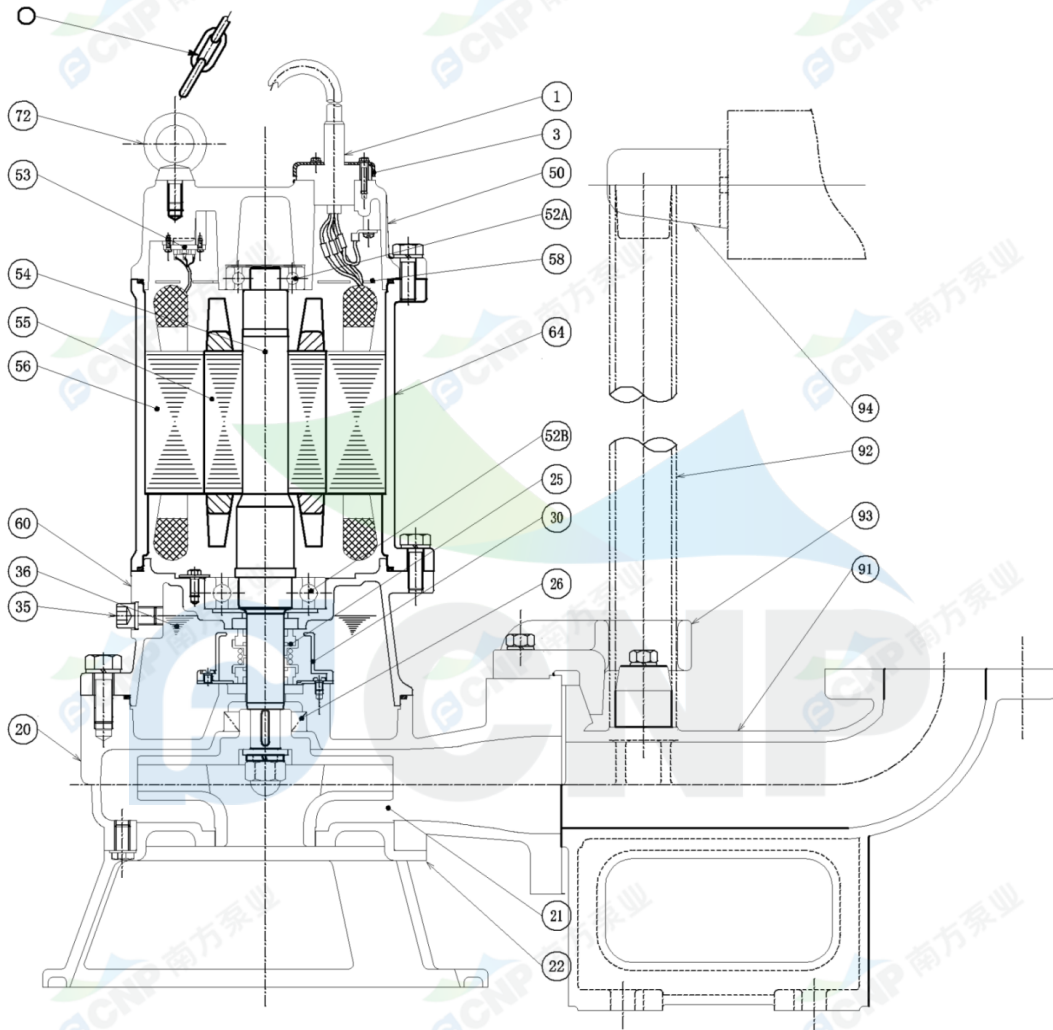
Pumped medium	Clean Water
Working temperature (°C)	20
Medium density (kg/m ³)	1000
Viscosity (mm ² /s)	1



	Structure picture 100WQ60-9-3(I)	Manufacturer	CNP
		Address	Yuhang District, Hangzhou, Zhejiang,
Project Name		Contact	86-571-88637351
		Date	2022/03/09
Item NO		Client Name	DPA
		Client Addr.	
		Contacts	Alireza
		Contact	

CNP Nanfang Zhongjin Environment Co., Ltd.

	SECTIONAL DRAWING	No.	No.
TYPE	submersible sewage pump	MODEL	WQ-1.5/2.2/3.0/4.0kW



order specifications		

No.	names of parts	number	material	No.	names of parts	number	material
1	cable	1	YZW	22	water inlet cover	1	HT200
3	cable cover	1	SUS304	20	casing	1	HT200
50	top cover	1	HT200	35	oil filler plug	1	SUS304
52A	upper bearing	1		36	machine oil 32#		
58	cable transit board	1		60	lower cover	1	HT200
64	base	1	HT200	56	stator	1	
52B	lower bearing	1		55	rotor	1	
25	mechanical seal	1	Carbon/SIC	54	shaft	1	
30	oil lift	1		53	thermal protector	1	
26	framework oil seal	1	NBRI-2	72	eye bolt	2	45#(forging galvanized)
93	guide hook	1	HT200	91	water outlet base	1	HT200
21	impeller	1	HT200	94	guiding	1	HT200
510	lift chain	1	SUS304	92	pipe	1	SUS304(unaffiliated)

Nanfang Zhongjin Environment CO.,LTD.

unit : mm



Installation picture 100WQ60-9-3(I)

Manufacturer	CNP
Address	Yuhang District, Hangzhou, Zhejiang,
Contact	86-571-88637351
Date	2022/03/09
Client Name	DPA
Client Addr.	
Contacts	Alireza
Contact	

Project Name

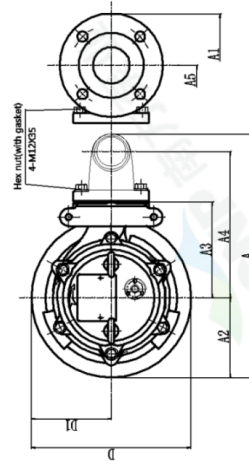
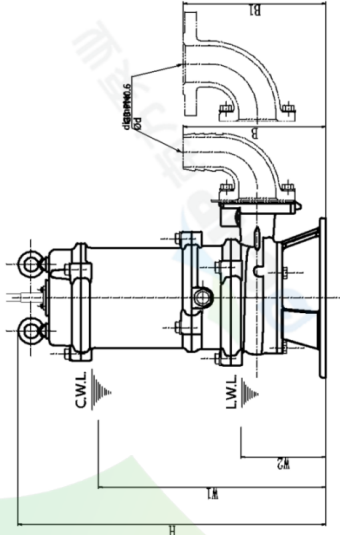
Item NO

CNP Nantfang Zhongjin Environment Co., Ltd.

DIMENSION DRAWING		No.	No.
TYPE		submersible sewage pump	
MODEL		100WQ60-9-3	

MODEL	d	A	A1	A2	A3	A4	A5	B	B1	D	D1	W1	W2	H	Body weight
100WQ60-9-3	100	467	547	127	190	297	321	285.5	270.5	254	127	430	190	565	47.0kg

diameter	100
elbow weight	6.5kg
band weight	10.5kg



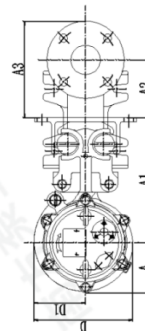
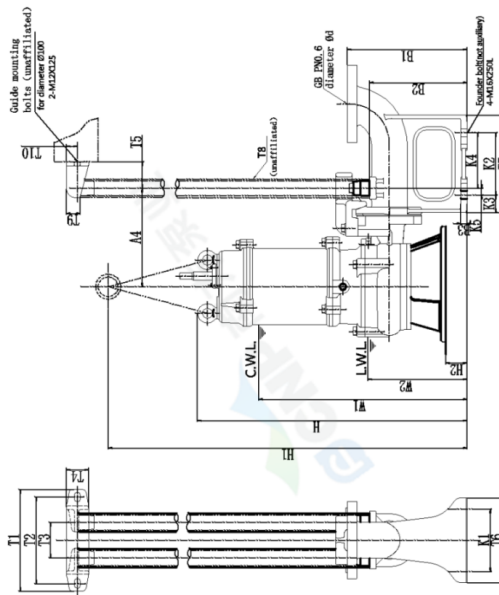
C.W.L.: minimum water level under continuous operation
L.W.L.: minimum water level under possible operation

Nantfang Zhongjin Environment CO.,LTD. unit : mm

CNP Nantfang Zhongjin Environment Co., Ltd.

DIMENSION DRAWING		No.	No.
TYPE		submersible sewage pump	
MODEL		100WQ60-9-3	

MODEL	A	A1	A2	A3	A4	A5	B	B1	D	D1	W1	W2	H	H2	Body weight
100WQ60-9-3	177	395	181	286	350	127	530	280	664.5	1064.5	99.5	99.5	99.5	99.5	47kg



C.W.L.: minimum water level under continuous operation
L.W.L.: minimum water level under possible operation

Nantfang Zhongjin Environment CO.,LTD. unit : mm