
	Product Information 100WQ60-17-5.5(I)	Manufacturer	CNP
		Address	Yuhang District, Hangzhou, Zhejiang,
		Contact	86-571-88637351
		Date	2022/03/09
Project Name		Client Name	DPA
		Client Addr.	
Item NO		Contacts	Alireza
		Contact	

Part NO.	100WQ60-17-5.5(I)
----------	-------------------

Product Picture	Note
	<p>The sewage submersible pump is composed of two parts: the motor and the pump.</p> <p>The two are separated by an oil chamber and a mechanical seal assembly.</p> <p>Divided into fixed automatic coupling installation and mobile installation</p>

technology	
Pump rotator speed	1437
Nameplate standards	CE
Material	
Impeller	HT200
Pump shaft	20cr13
Rubber code	P
Pump case	HT200
Installation	
Connection Code	F
Maximum Pressure/Temperatur	6bar/40
Flange Standard	DIN
Pressure Class	PN6
Medium	
Medium Temperature	40
Maximum diameter of partic	40
Maximum Environment Temper	40
Structure dimension	
Standard caliber	DN
Outlet Diameter	DN100
Motor	
Number of Motor Phase	Three Phase
Protection Class	IP68
Insulation Class	F
Motor Power	5.5
Power Frequency	50HZ
Rated Voltage (V)	380V
Rated Current (A)	11.5
Starting mode	direct boot
Seal	
Mechanical Seal	H-35
Others	
Weight (kg)	132



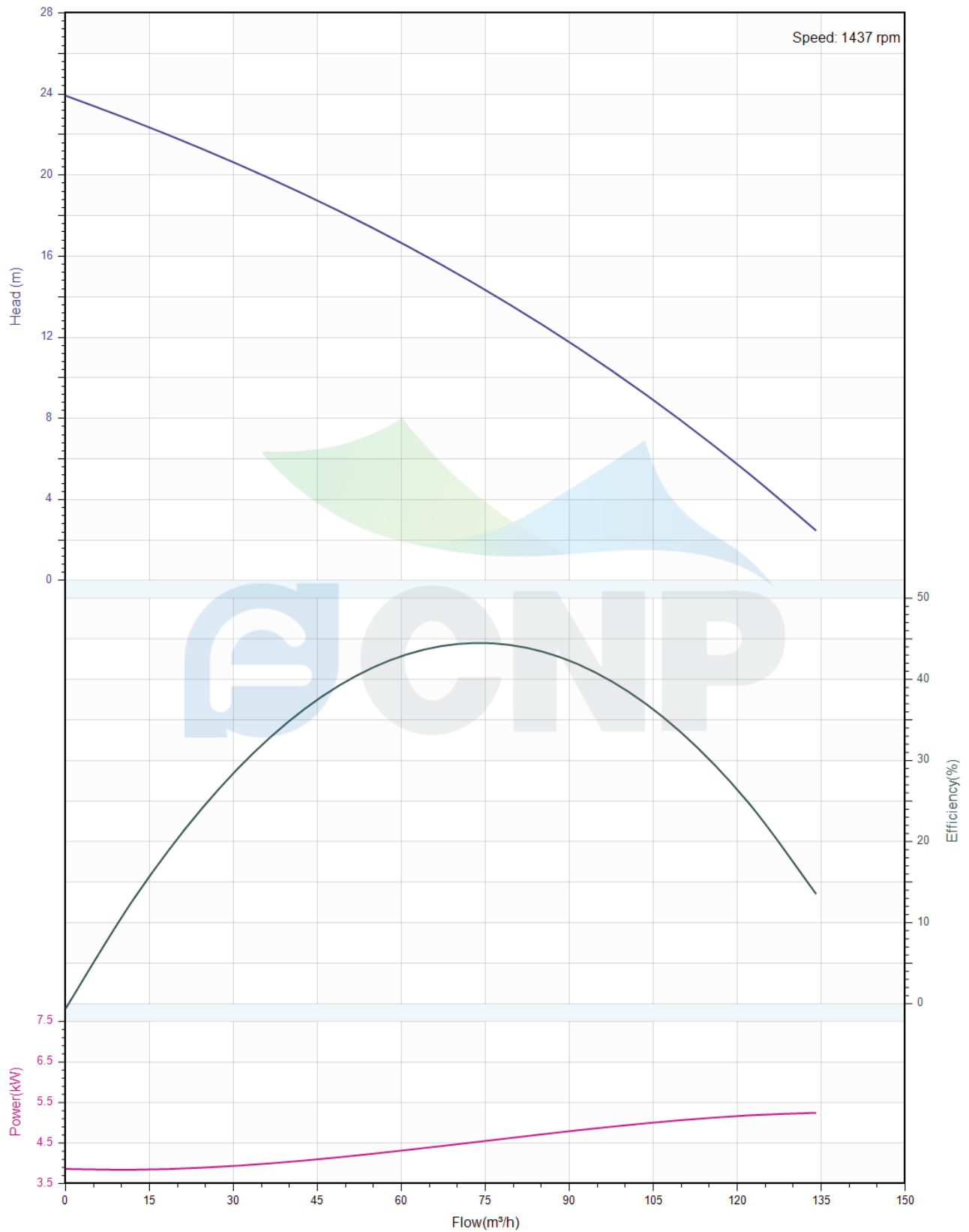
Performance Curve 100WQ60-17-5.5(I)

Manufacturer	CNP
Address	Yuhang District, Hangzhou, Zhejiang,
Contact	86-571-88637351
Date	2022/03/09
Client Name	DPA
Client Addr.	
Contacts	Alireza
Contact	

Project Name

Item NO

The hydraulic performance curve have been tested with Clean Water at 20°C, density 1000kg/m³, and at 1bar atmospheric pressure. ISO99062012 Grade 3B





Pump Technical Parameters 100WQ60-17-5.5(I)

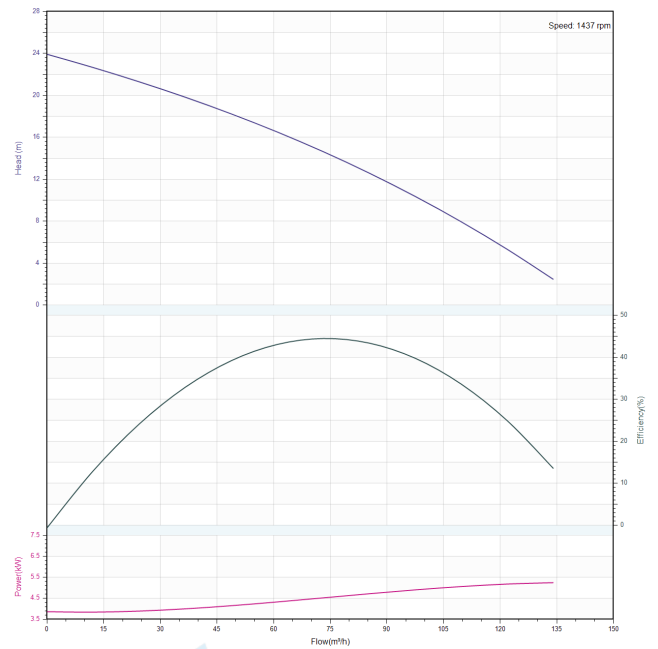
Manufacturer	CNP
Address	Yuhang District, Hangzhou, Zhejiang,
Contact	86-571-88637351
Date	2022/03/09
Client Name	DPA
Client Addr.	
Contacts	Alireza
Contact	


Rated parameters

Pump model	100WQ60-17-5.5(I)
Part NO.	100WQ60-17-5.5(I)
Rated flow (m ³ /h)	60
Rated head (m)	17
Rated efficiency (%)	50.8
Power (kW)	5.162
Speed (rpm)	1437

Medium

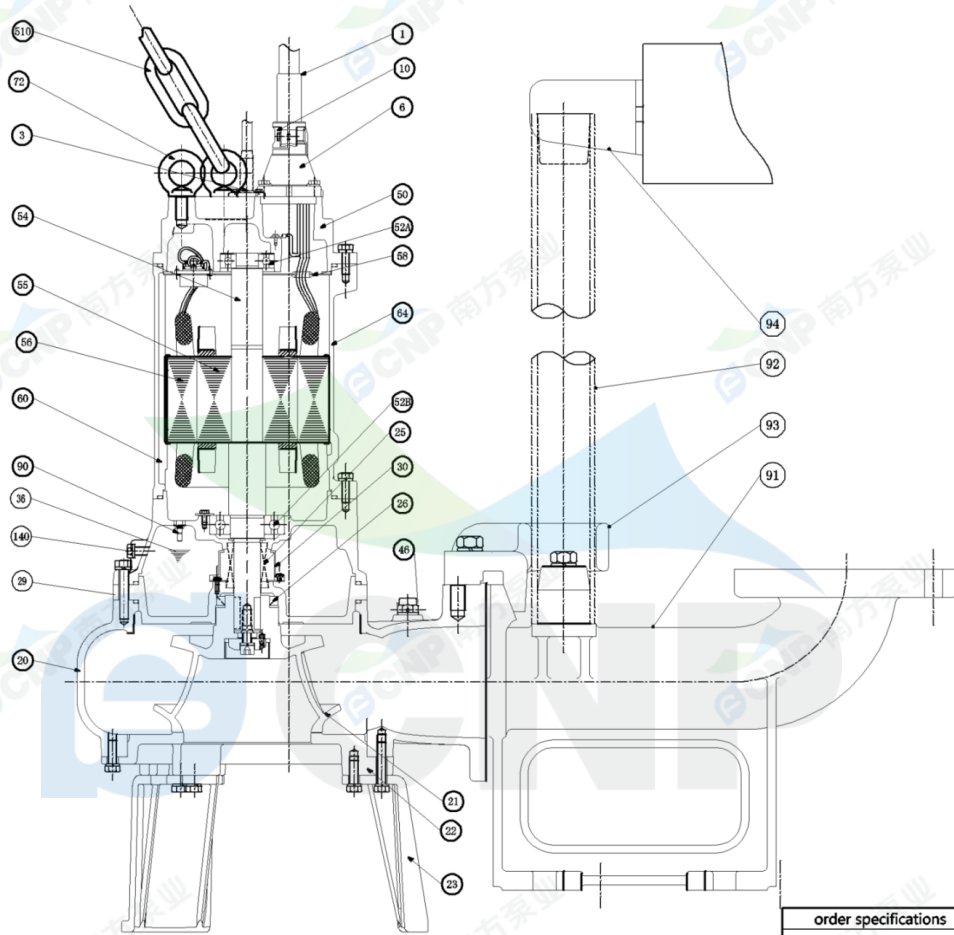
Pumped medium	Clean Water
Working temperature (°C)	20
Medium density (kg/m ³)	1000
Viscosity (mm ² /s)	1



	Structure picture 100WQ60-17-5.5(I)	Manufacturer	CNP
		Address	Yuhang District, Hangzhou, Zhejiang,
Project Name		Contact	86-571-88637351
		Date	2022/03/09
Item NO		Client Name	DPA
		Client Addr.	
		Contacts	Alireza
		Contact	

 **Nanfang Zhongjin Environment Co., Ltd.**

	SECTIONAL DRAWING	No.	No.
TYPE	submersible sewage pump	MODEL	4P-5.5/7.5kW



order specifications

No.	names of parts	number	material	No.	names of parts	number	material
1	cable	1	YZW	22	water inlet cover	1	HT200
3	cable cover	1	SUS304	23	foot bracket	1	HT200
50	top cover	1	HT200	37	water outletbend	1	HT200(unaffiliated)
52A	upper bearing	1		20	casing	1	HT200
58	cable transit board	1	PPS	29	Casingtop cover	1	HT200
64	base	1	HT200	140	oil filler plug	1	SUS304
52B	lower bearing	1		36	machine oil 32#		
25	mechanical seal	1	Carbon/SIC	90	Leak sensor electrode bar	1	
30	oil lift	1		60	lower cover	1	HT200
26	framework oil seal	1	NBRI-2	56	stator	1	
46	Air release bolt	1		55	rotor	1	
94	guiding	1	HT200	54	shaft	1	
92	pipe	1	SUS304(unaffiliated)	53	Mini-thermalprotector	1	
93	guide hook	1	HT200	72	eye bolt	2	45#(forging galvanized)
91	water outlet base	1	HT200	510	lift chain	1	SUS304
21	impeller	1	HT200	10	Cable lockblock	2	HT200
6	cable sleeve	2	HT200				

Nanfang Zhongjin Environment CO.,LTD.

unit : mm



Installation picture 100WQ60-17-5.5(I)

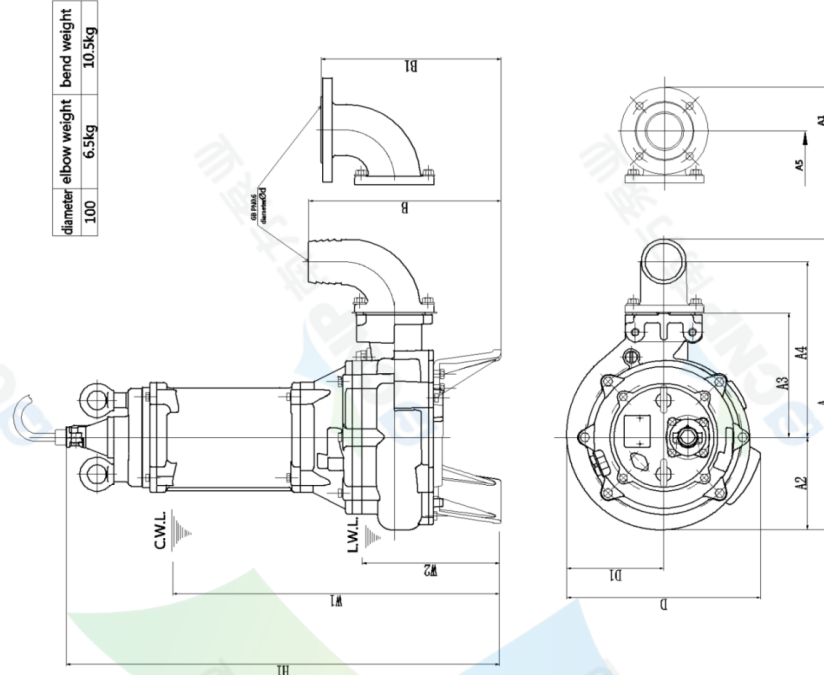
Manufacturer	CNP
Address	Yuhang District, Hangzhou, Zhejiang,
Contact	86-571-88637351
Date	2022/03/09
Client Name	DPA
Client Addr.	
Contacts	Alireza
Contact	

Project Name

Item NO

CNP Nanfang Zhongjin Environment Co., Ltd

DIMENSION DRAWING		No.	No.												
TYPE submersible sewage pump		MODEL	100WQ60-17-5.5												
MODEL	d	A	A1	A2	A3	A4	A5	B	B1	D	D1	W1	W2	H	Body weight
100WQ60-17-5.5	100	685	566	193	260	366	387	387	372	406	203	670	300	909	90kg

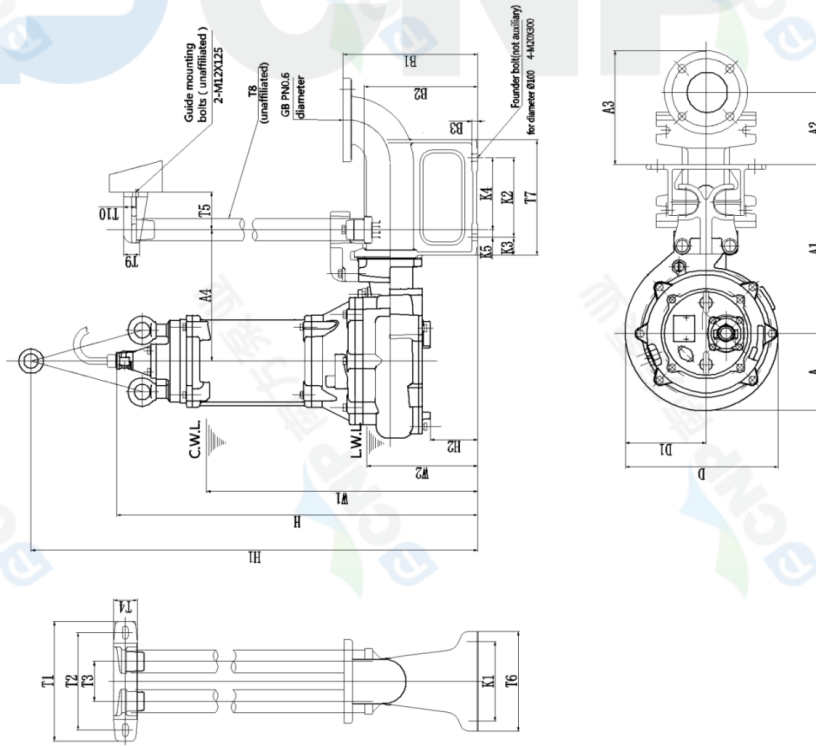


C.W.L. :minimum water level under continuous operation
L.W.L. :minimum water level under possible operation

Nanfang Zhongjin Environment CO.,LTD. unit : mm

CNP Nanfang Zhongjin Environment Co., Ltd

DIMENSION DRAWING		No.	No.																	
TYPE submersible sewage pump		MODEL	100WQ60-17-5.5																	
MODEL	A	A1	A2	A3	A4	D	D1	W1	W2	H	H1	H2	Body weight							
100WQ60-17-5.5	193	425	181	286	330	384	203	680	300	908	1308	118	90kg							
Outlet diameter	d	T1	T2	T3	T4	T5	T6	T7	T8	T9	T10	T11	Coupling weight							
100WQ60-17-5.5	100	300	245	100	60	95	250	290	27(60x3.5)	40	30	200	200	45	181	19	340	285	15	35kg



C.W.L. :minimum water level under continuous operation
L.W.L. :minimum water level under possible operation

Nanfang Zhongjin Environment CO.,LTD. unit : mm