
	Product Information 100WQ50-7-2.2(I)	Manufacturer	CNP
		Address	Yuhang District, Hangzhou, Zhejiang,
Project Name		Contact	86-571-88637351
		Date	2022/03/09
Item NO		Client Name	DPA
		Client Addr.	
		Contacts	Alireza
		Contact	

Part NO.	100WQ50-7-2.2(I)
Product Picture	Note
	<p>The sewage submersible pump is composed of two parts: the motor and the pump.</p> <p>The two are separated by an oil chamber and a mechanical seal assembly.</p> <p>Divided into fixed automatic coupling installation and mobile installation</p>

technology

Pump rotator speed	2880
Nameplate standards	CE

Material

Impeller	HT200
Pump shaft	20cr13
Rubber code	P
Pump case	HT200

Installation

Connection Code	F
Maximum Pressure/Temperature	6bar/40
Flange Standard	DIN
Pressure Class	PN6

Medium

Medium Temperature	40
Maximum diameter of partic	45
Maximum Environment Temper	40

Structure dimension

Standard caliber	DN
Outlet Diameter	DN100

Motor

Number of Motor Phase	Three Phase
Protection Class	IP68
Insulation Class	F
Motor Power	2.2
Power Frequency	50HZ
Rated Voltage (V)	380V
Rated Current (A)	4.6
Starting mode	direct boot

Seal

Mechanical Seal	H-25
-----------------	------

Others

Weight (kg)	48
-------------	----



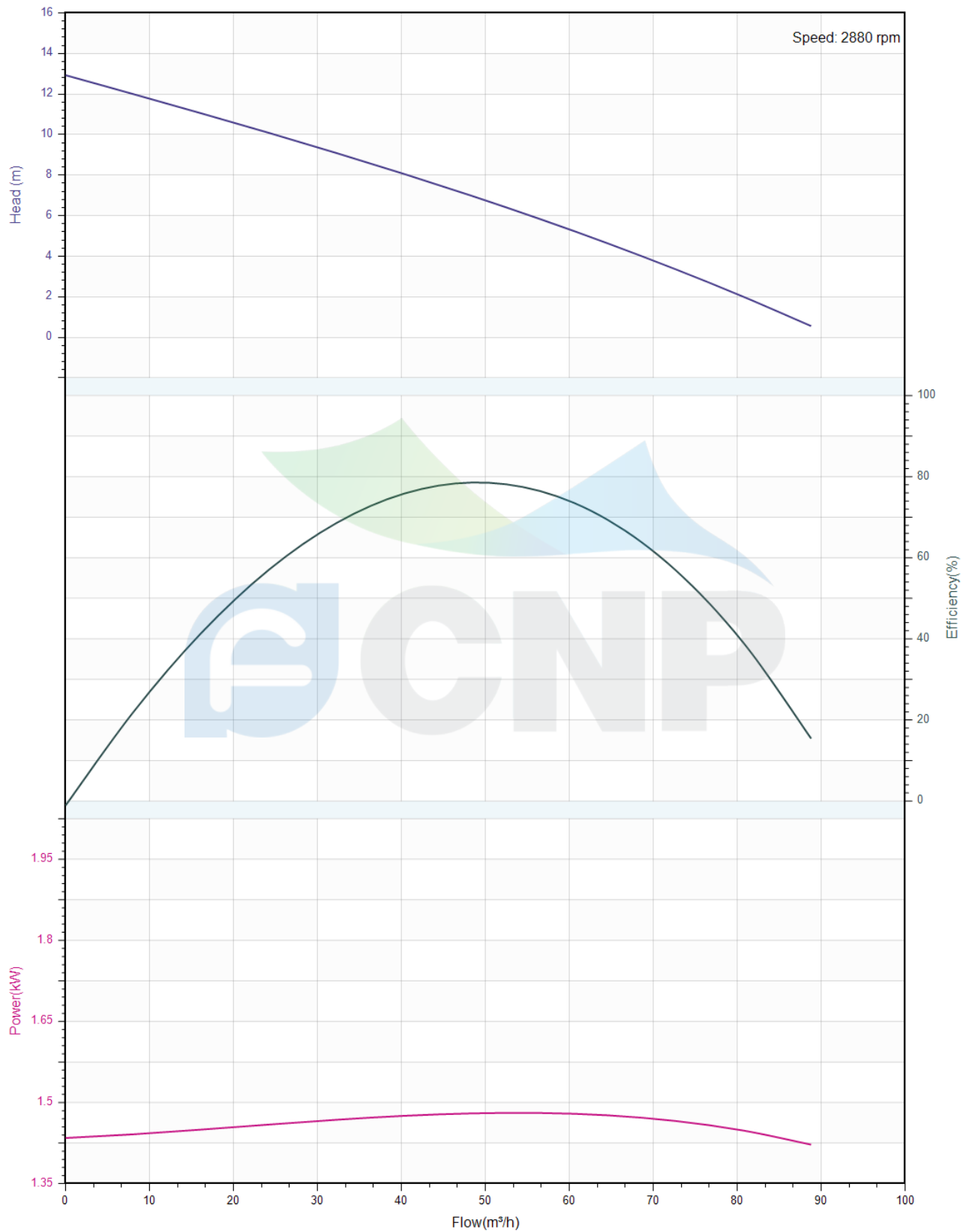
Performance Curve 100WQ50-7-2.2(I)

Manufacturer	CNP
Address	Yuhang District, Hangzhou, Zhejiang,
Contact	86-571-88637351
Date	2022/03/09
Client Name	DPA
Client Addr.	
Contacts	Alireza
Contact	

Project Name

Item NO

The hydraulic performance curve have been tested with Clean Water at 20°C, density 1000kg/m³, and at 1bar atmospheric pressure. ISO99062012 Grade 3B





Pump Technical Parameters 100WQ50-7-2.2(I)

Manufacturer	CNP
Address	Yuhang District, Hangzhou, Zhejiang,
Contact	86-571-88637351
Date	2022/03/09
Client Name	DPA
Client Addr.	
Contacts	Alireza
Contact	

Project Name

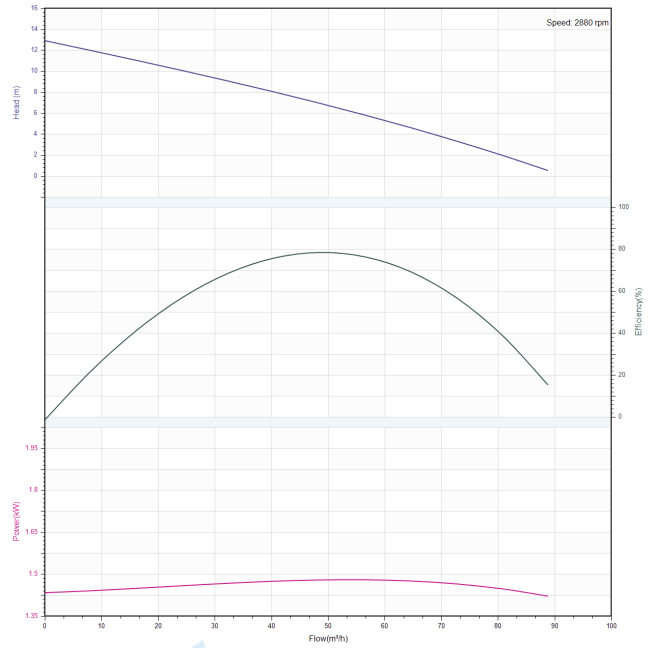
Item NO


Rated parameters

Pump model	100WQ50-7-2.2(I)
Part NO.	100WQ50-7-2.2(I)
Rated flow (m ³ /h)	50
Rated head (m)	7
Rated efficiency (%)	59.5
Power (kW)	1.821
Speed (rpm)	2880

Medium

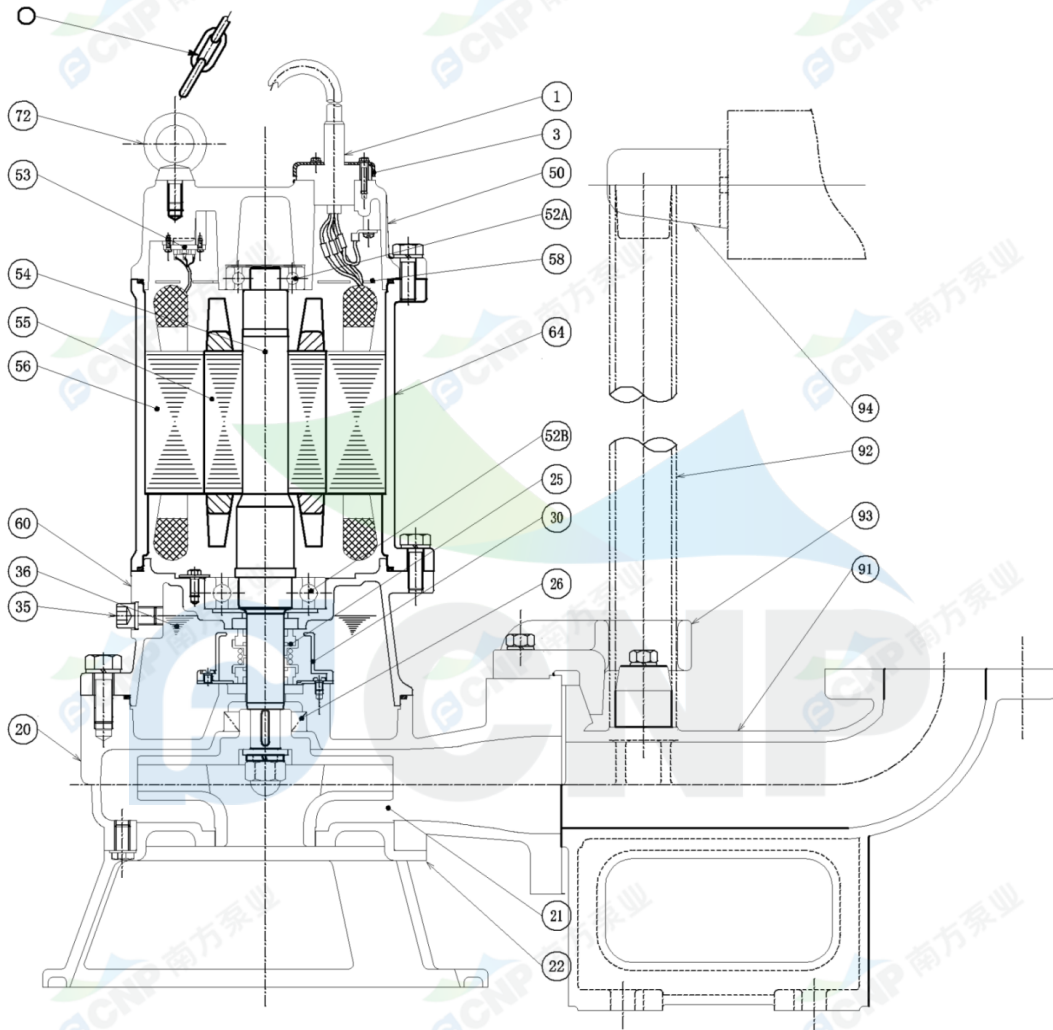
Pumped medium	Clean Water
Working temperature (°C)	20
Medium density (kg/m ³)	1000
Viscosity (mm ² /s)	1



	Structure picture 100WQ50-7-2.2(I)	Manufacturer	CNP
		Address	Yuhang District, Hangzhou, Zhejiang,
		Contact	86-571-88637351
		Date	2022/03/09
Project Name		Client Name	DPA
Item NO		Client Addr.	
		Contacts	Alireza
		Contact	

CNP Nanfang Zhongjin Environment Co., Ltd.

	SECTIONAL DRAWING	No.	No.
TYPE	submersible sewage pump	MODEL	WQ-1.5/2.2/3.0/4.0kW



order specifications							
No.	names of parts	number	material	No.	names of parts	number	material
1	cable	1	YZW	22	water inlet cover	1	HT200
3	cable cover	1	SUS304	20	casing	1	HT200
50	top cover	1	HT200	35	oil filler plug	1	SUS304
52A	upper bearing	1		36	machine oil 32#		
58	cable transit board	1		60	lower cover	1	HT200
64	base	1	HT200	56	stator	1	
52B	lower bearing	1		55	rotor	1	
25	mechanical seal	1	Carbon/SIC	54	shaft	1	
30	oil lift	1		53	thermal protector	1	
26	framework oil seal	1	NBRI-2	72	eye bolt	2	45#(forging galvanized)
93	guide hook	1	HT200	91	water outlet base	1	HT200
21	impeller	1	HT200	94	guiding	1	HT200
510	lift chain	1	SUS304	92	pipe	1	SUS304(unaffiliated)

Nanfang Zhongjin Environment CO.,LTD.

unit : mm



Installation picture 100WQ50-7-2.2(I)

Manufacturer	CNP
Address	Yuhang District, Hangzhou, Zhejiang,
Contact	86-571-88637351
Date	2022/03/09
Client Name	DPA
Client Addr.	
Contacts	Alireza
Contact	

Project Name

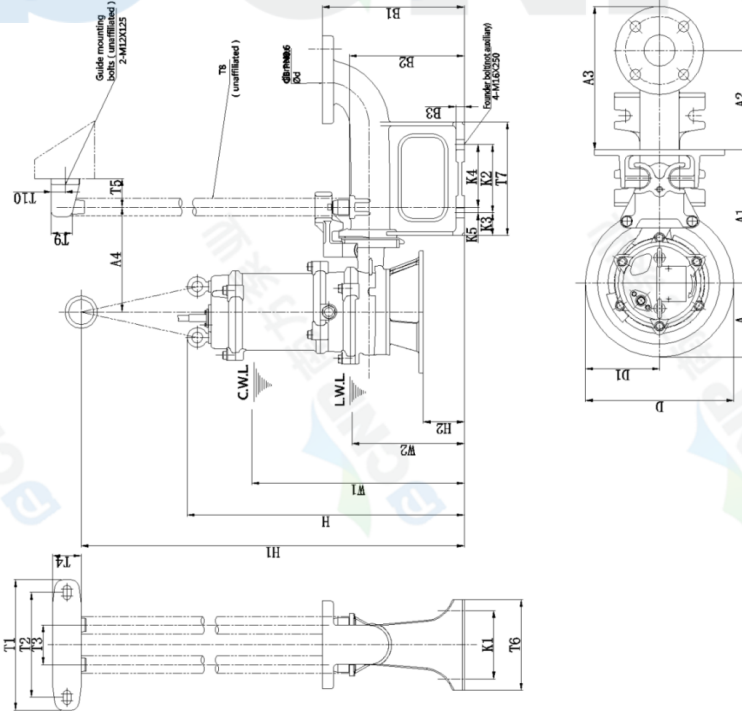
Item NO

CNP Nanfang Zhongjin Environment Co., Ltd.

DIMENSION DRAWING		No.	No.
TYPE	submersible sewage pump	MODEL	100WQ50-7-2.2

MODEL	d	A	A1	A2	A3	A4	A5	B	B1	D	D1	W1	W2	H	Body weight
WQ50-7-2.2	100	479	559	128	200	307	331	286	256	256	128	400	180	543	45kg

dia meter	100	elbow weight	6.5kg	bend weight	10.5kg
-----------	-----	--------------	-------	-------------	--------



C.W.L. : minimum water level under continuous operation
L.W.L. : minimum water level under possible operation

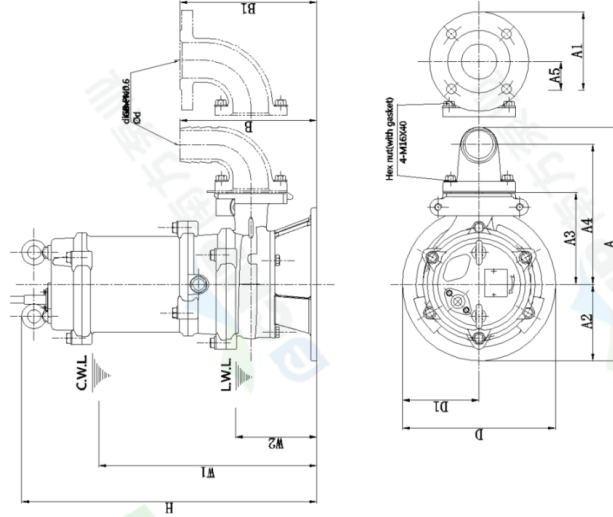
Nanfang Zhongjin Environment CO.,LTD. unit : mm

CNP Nanfang Zhongjin Environment Co., Ltd.

DIMENSION DRAWING		No.	No.
TYPE	submersible sewage pump	MODEL	100WQ50-7-2.2

MODEL	d	A	A1	A2	A3	A4	A5	B	B1	D	D1	W1	W2	H	Body weight
WQ50-7-2.2	100	479	559	128	200	307	331	286	256	256	128	400	180	543	45kg

dia meter	100	elbow weight	6.5kg	bend weight	10.5kg
-----------	-----	--------------	-------	-------------	--------



C.W.L. : minimum water level under continuous operation
L.W.L. : minimum water level under possible operation

Nanfang Zhongjin Environment CO.,LTD. unit : mm