


|  |   |              |                                      |
|--|---|--------------|--------------------------------------|
|  | <b>Product Information</b><br><b>100WQ50-10-3W(I)</b> | Manufacturer | CNP                                  |
|  |   | Address      | Yuhang District, Hangzhou, Zhejiang, |
|  |   | Contact      | 86-571-88637351                      |
|  |   | Date         | 2022/03/09                           |
| <b>Project Name</b>  |   | Client Name  | DPA                                  |
|  |   | Client Addr. |                                      |
| <b>Item NO</b>   |   | Contacts     | Alireza                              |
|  |   | Contact      |                                      |

|          |                  |
|----------|------------------|
| Part NO. | 100WQ50-10-3W(I) |
|----------|------------------|

| Product Picture   | Note  |
|---|---|
|  | <p>The sewage submersible pump is composed of two parts: the motor and the pump.</p> <p>The two are separated by an oil chamber and a mechanical seal assembly.</p> <p>Divided into fixed automatic coupling installation and mobile installation</p> |

|                             |             |
|-----------------------------|-------------|
| <b>technology</b>           |             |
| Pump rotator speed          | 2840        |
| Nameplate standards         | CE          |
| <b>Material</b>             |             |
| Impeller                    | HT200       |
| Pump shaft                  | 20cr13      |
| Rubber code                 | P           |
| Pump case                   | HT200       |
| <b>Installation</b>         |             |
| Connection Code             | F           |
| Maximum Pressure/Temperatur | 6bar/40     |
| Flange Standard             | DIN         |
| Pressure Class              | PN6         |
| <b>Medium</b>               |             |
| Medium Temperature          | 40          |
| Maximum diameter of partic  | 19          |
| Maximum Environment Temper  | 40          |
| <b>Structure dimension</b>  |             |
| Standard caliber            | DN          |
| Outlet Diameter             | DN100       |
| <b>Motor</b>                |             |
| Number of Motor Phase       | Three Phase |
| Protection Class            | IP68        |
| Insulation Class            | F           |
| Motor Power                 | 3           |
| Power Frequency             | 50HZ        |
| Rated Voltage (V)           | 380V        |
| Rated Current (A)           | 6.1         |
| Starting mode               | direct boot |
| <b>Seal</b>                 |             |
| Mechanical Seal             | H-25        |
| <b>Others</b>               |             |
| Weight (kg)                 | 50          |



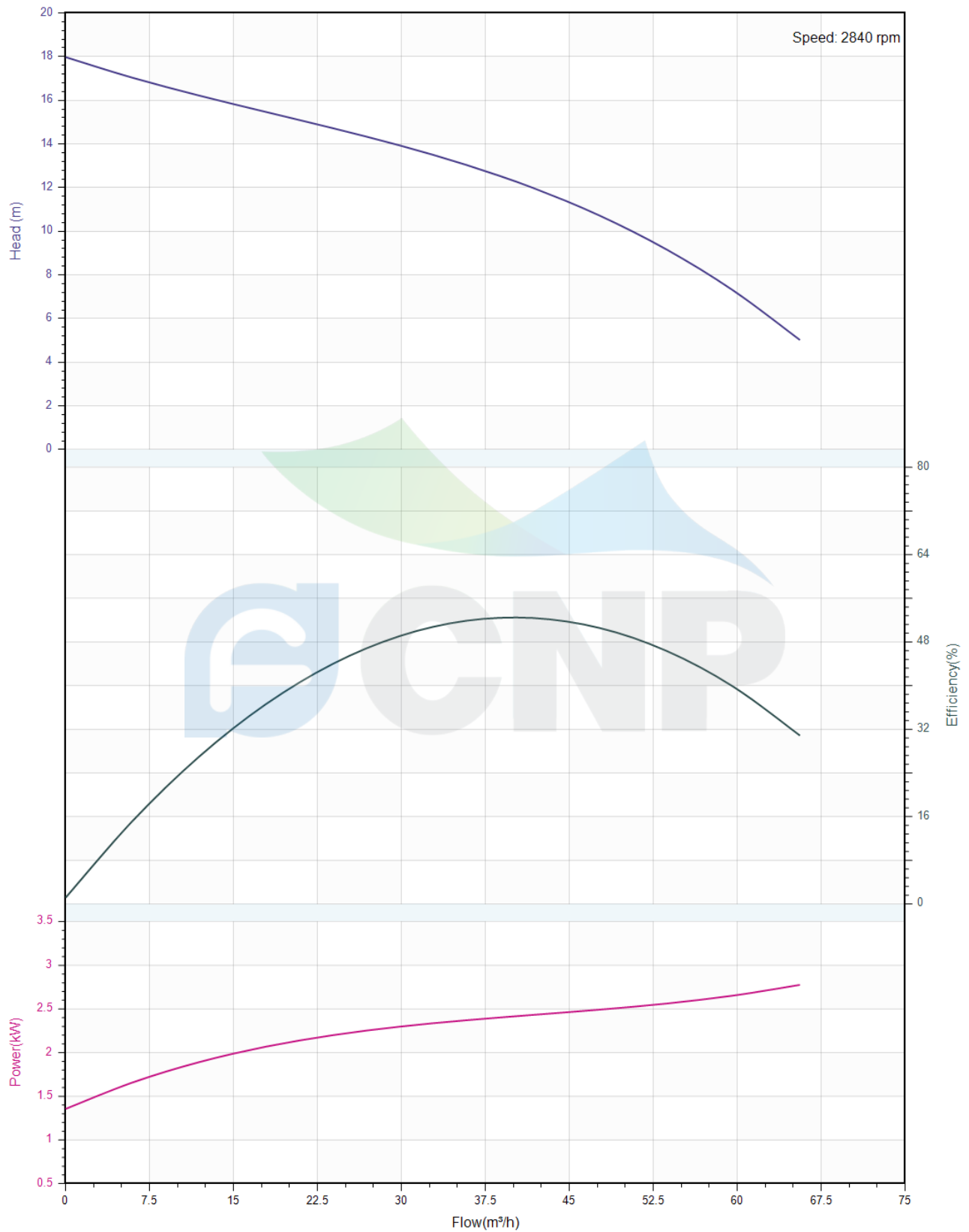
### Performance Curve 100WQ50-10-3W(I)

|              |                                      |
|--------------|--------------------------------------|
| Manufacturer | CNP                                  |
| Address      | Yuhang District, Hangzhou, Zhejiang, |
| Contact      | 86-571-88637351                      |
| Date         | 2022/03/09                           |
| Client Name  | DPA                                  |
| Client Addr. |                                      |
| Contacts     | Alireza                              |
| Contact      |                                      |

Project Name

Item NO

The hydraulic performance curve have been tested with Clean Water at 20°C, density 1000kg/m<sup>3</sup>, and at 1bar atmospheric pressure. ISO99062012 Grade 3B





## Pump Technical Parameters 100WQ50-10-3W(I)

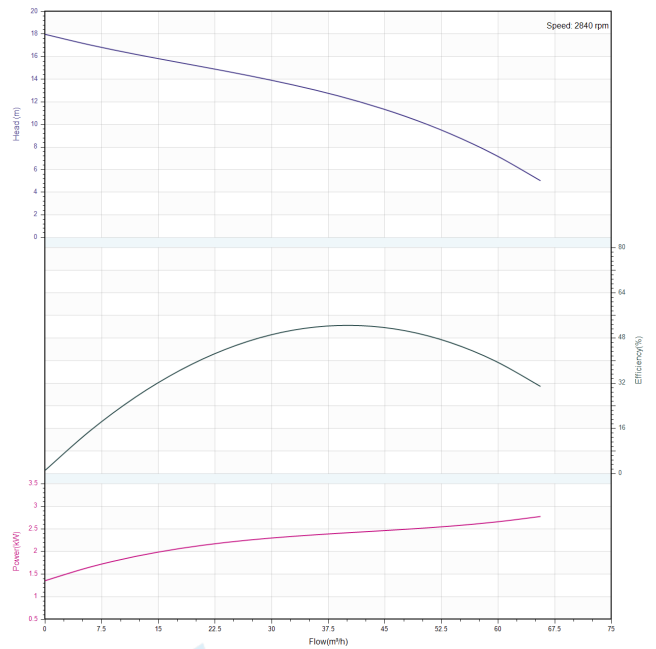
|              |                                      |
|--------------|--------------------------------------|
| Manufacturer | CNP                                  |
| Address      | Yuhang District, Hangzhou, Zhejiang, |
| Contact      | 86-571-88637351                      |
| Date         | 2022/03/09                           |
| Client Name  | DPA                                  |
| Client Addr. |                                      |
| Contacts     | Alireza                              |
| Contact      |                                      |


### Rated parameters

|                                |                  |
|--------------------------------|------------------|
| Pump model                     | 100WQ50-10-3W(I) |
| Part NO.                       | 100WQ50-10-3W(I) |
| Rated flow (m <sup>3</sup> /h) | 50               |
| Rated head (m)                 | 10               |
| Rated efficiency (%)           | 43.6             |
| Power (kW)                     | 2.59             |
| Speed (rpm)                    | 2840             |

### Medium

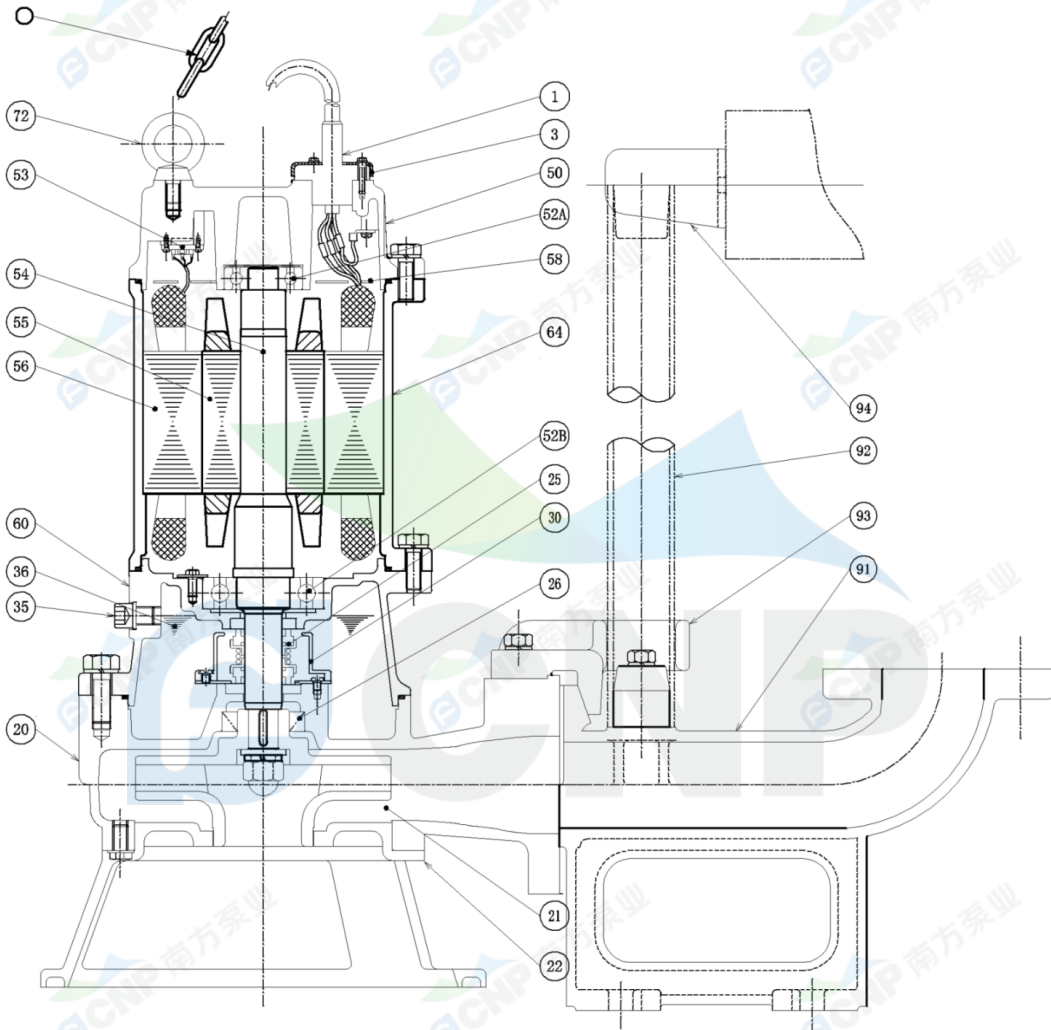
|                                     |             |
|-------------------------------------|-------------|
| Pumped medium                       | Clean Water |
| Working temperature (°C)            | 20          |
| Medium density (kg/m <sup>3</sup> ) | 1000        |
| Viscosity (mm <sup>2</sup> /s)      | 1           |



|  |   |              |                                      |
|--|---|--------------|--------------------------------------|
|  | <b>Structure picture</b><br><b>100WQ50-10-3W(I)</b> | Manufacturer | CNP                                  |
|  |   | Address      | Yuhang District, Hangzhou, Zhejiang, |
|  |   | Contact      | 86-571-88637351                      |
|  |   | Date         | 2022/03/09                           |
| Project Name   |   | Client Name  | DPA                                  |
| Item NO  |   | Client Addr. |                                      |
|  |   | Contacts     | Alireza                              |
|  |   | Contact      |                                      |

**CNP Nanfang Zhongjin Environment Co., Ltd.**

|      |                          |       |                      |
|------|--------------------------|-------|----------------------|
|      | <b>SECTIONAL DRAWING</b> | No.   | No.                  |
| TYPE | submersible sewage pump  | MODEL | WQ-1.5/2.2/3.0/4.0kW |



| order specifications |                     |        |            |     |                   |        |                         |
|----------------------|---------------------|--------|------------|-----|-------------------|--------|-------------------------|
| No.                  | names of parts      | number | material   | No. | names of parts    | number | material                |
| 1                    | cable               | 1      | YZW        | 22  | water inlet cover | 1      | HT200                   |
| 3                    | cable cover         | 1      | SUS304     | 20  | casing            | 1      | HT200                   |
| 50                   | top cover           | 1      | HT200      | 35  | oil filler plug   | 1      | SUS304                  |
| 52A                  | upper bearing       | 1      |            | 36  | machine oil 32#   |        |                         |
| 58                   | cable transit board | 1      |            | 60  | lower cover       | 1      | HT200                   |
| 64                   | base                | 1      | HT200      | 56  | stator            | 1      |                         |
| 52B                  | lower bearing       | 1      |            | 55  | rotor             | 1      |                         |
| 25                   | mechanical seal     | 1      | Carbon/SIC | 54  | shaft             | 1      |                         |
| 30                   | oil lift            | 1      |            | 53  | thermal protector | 1      |                         |
| 26                   | framework oil seal  | 1      | NBRI-2     | 72  | eye bolt          | 2      | 45#(forging galvanized) |
| 93                   | guide hook          | 1      | HT200      | 91  | water outlet base | 1      | HT200                   |
| 21                   | impeller            | 1      | HT200      | 94  | guiding           | 1      | HT200                   |
| 510                  | lift chain          | 1      | SUS304     | 92  | pipe              | 1      | SUS304(unaffiliated)    |

Nanfang Zhongjin Environment CO.,LTD.

unit : mm



# Installation picture 100WQ50-10-3W(I)

|              |                                      |
|--------------|--------------------------------------|
| Manufacturer | CNP                                  |
| Address      | Yuhang District, Hangzhou, Zhejiang, |
| Contact      | 86-571-88637351                      |
| Date         | 2022/03/09                           |
| Client Name  | DPA                                  |
| Client Addr. |                                      |
| Contacts     | Alireza                              |
| Contact      |                                      |

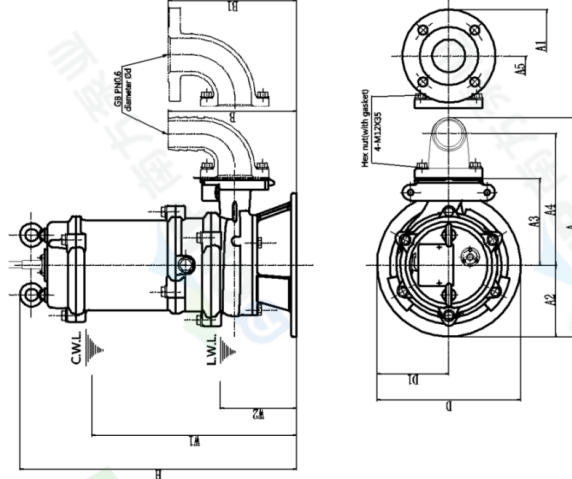
Project Name

Item NO

**CNP** Nanfang Zhongjin Environment Co., Ltd.

|                              |     |       |               |     |     |     |     |     |     |     |     |     |     |     |             |        |
|------------------------------|-----|-------|---------------|-----|-----|-----|-----|-----|-----|-----|-----|-----|-----|-----|-------------|--------|
| DIMENSION DRAWING            |     | No.   | No.           |     |     |     |     |     |     |     |     |     |     |     |             |        |
| TYPE submersible sewage pump |     | MODEL | 100WQ50-10-3W |     |     |     |     |     |     |     |     |     |     |     |             |        |
| MODEL                        | d   | A     | A1            | A2  | A3  | A4  | A5  | B   | B1  | D   | D1  | W1  | W2  | H   | Body weight |        |
| 100WQ50-10-3W                | 100 | 483   | 540           | 120 | 130 | 190 | 257 | 318 | 296 | 261 | 254 | 127 | 430 | 190 | 1           | 47.0kg |

|              |        |
|--------------|--------|
| elbow weight | 6.5kg  |
| bend weight  | 10.5kg |



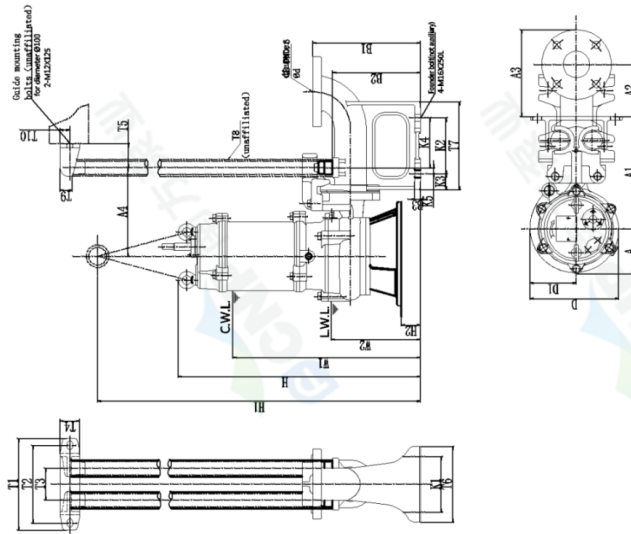
C.W.L.: minimum water level under continuous operation  
L.W.L.: minimum water level under possible operation

unit : mm

Nanfang Zhongjin Environment CO.,LTD.

**CNP** Nanfang Zhongjin Environment Co., Ltd.

|                              |     |       |               |     |     |     |     |     |     |     |     |     |             |
|------------------------------|-----|-------|---------------|-----|-----|-----|-----|-----|-----|-----|-----|-----|-------------|
| DIMENSION DRAWING            |     | No.   | No.           |     |     |     |     |     |     |     |     |     |             |
| TYPE submersible sewage pump |     | MODEL | 100WQ50-10-3W |     |     |     |     |     |     |     |     |     |             |
| MODEL                        | A   | A1    | A2            | A3  | A4  | B   | D1  | W1  | W2  | H   | H1  | H2  | Body weight |
| 100WQ50-10-3W                | 120 | 355   | 345           | 286 | 260 | 240 | 120 | 130 | 190 | 257 | 318 | 296 | 47kg        |
| 100WQ50-10-3W                | 100 | 300   | 245           | 100 | 60  | 85  | 250 | 200 | 200 | 45  | 131 | 19  | 35kg        |



C.W.L.: minimum water level under continuous operation  
L.W.L.: minimum water level under possible operation

unit : mm

Nanfang Zhongjin Environment CO.,LTD.