	Product Information 100WQ100-35-22JY(I)	Manufacturer	CNP
		Address	Yuhang District, Hangzhou, Zhejiang,
		Contact	86-571-88637351
		Date	2022/03/09
Project Name		Client Name	DPA
		Client Addr.	
Item NO		Contacts	Alireza
		Contact	

Part NO.	100WQ100-35-22JY
----------	------------------

Product Picture	Note
	<p>The sewage submersible pump is composed of two parts: the motor and the pump.</p> <p>The two are separated by an oil chamber and a mechanical seal assembly.</p> <p>Divided into fixed automatic coupling installation and mobile installation</p>

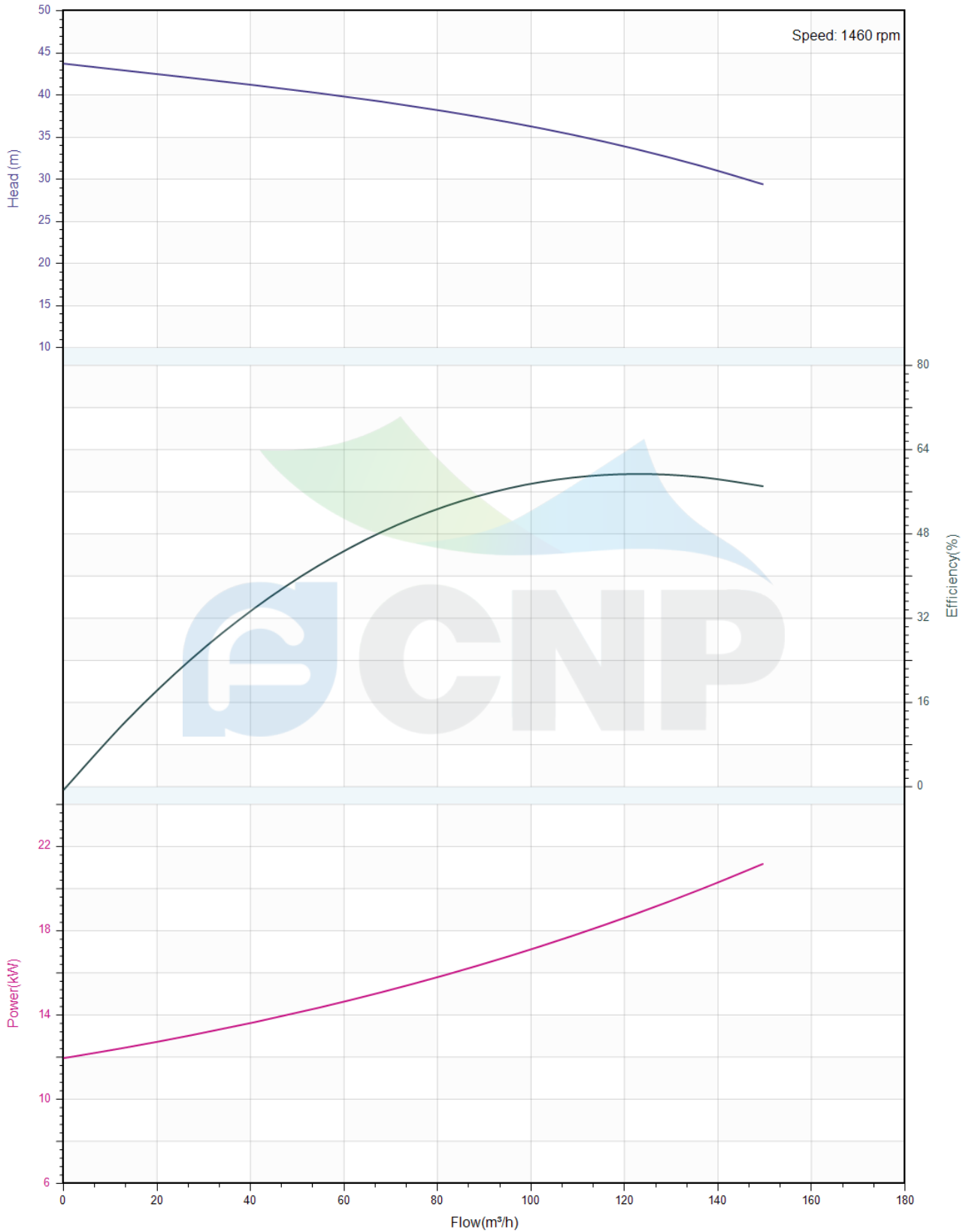
technology	
Pump rotator speed	1460
Nameplate standards	CE
Material	
Impeller	HT200
Pump shaft	20cr13
Rubber code	P
Pump case	HT200
Installation	
Connection Code	F
Maximum Pressure/Temperatu	6bar/40
Flange Standard	DIN
Pressure Class	PN6
Medium	
Medium Temperature	40
Maximum diameter of partic	35
Maximum Environment Temper	40
Structure dimension	
Standard caliber	DN
Outlet Diameter	DN100
Motor	
Number of Motor Phase	Three Phase
Protection Class	IP68
Insulation Class	F
Motor Power	22
Power Frequency	50HZ
Rated Voltage (V)	380V
Rated Current (A)	43.1
Starting mode	direct boot
Seal	
Mechanical Seal	H-50
Others	
Weight (kg)	313



Performance Curve 100WQ100-35-22JY(I)

Manufacturer	CNP
Address	Yuhang District, Hangzhou, Zhejiang,
Contact	86-571-88637351
Date	2022/03/09
Client Name	DPA
Client Addr.	
Contacts	Alireza
Contact	

The hydraulic performance curve have been tested with Clean Water at 20°C, density 1000kg/m³, and at 1bar atmospheric pressure. ISO99062012 Grade 3B





Pump Technical Parameters 100WQ100-35-22JY(I)

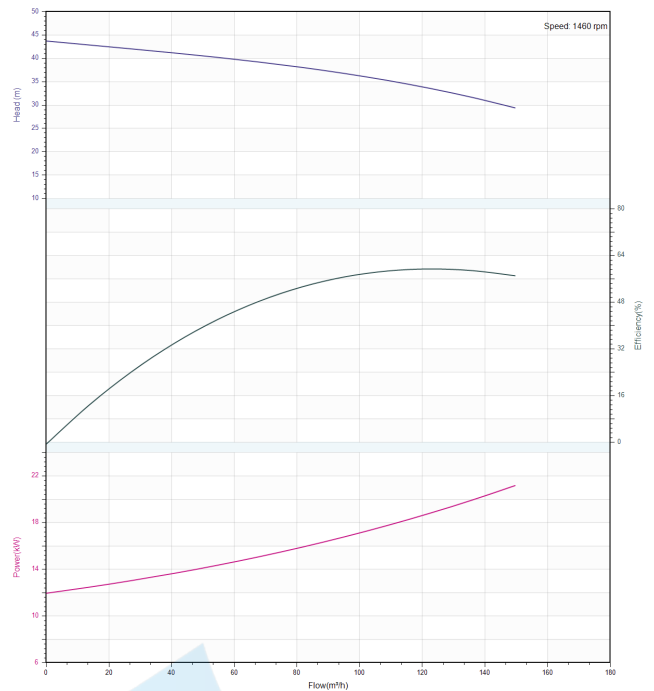
Manufacturer	CNP
Address	Yuhang District, Hangzhou, Zhejiang,
Contact	86-571-88637351
Date	2022/03/09
Client Name	DPA
Client Addr.	
Contacts	Alireza
Contact	


Rated parameters

Pump model	100WQ100-35-22JY(I)
Part NO.	100WQ100-35-22JY
Rated flow (m ³ /h)	100
Rated head (m)	35
Rated efficiency (%)	57.7
Power (kW)	16.53
NPSHr (m)	2
Speed (rpm)	1460

Medium

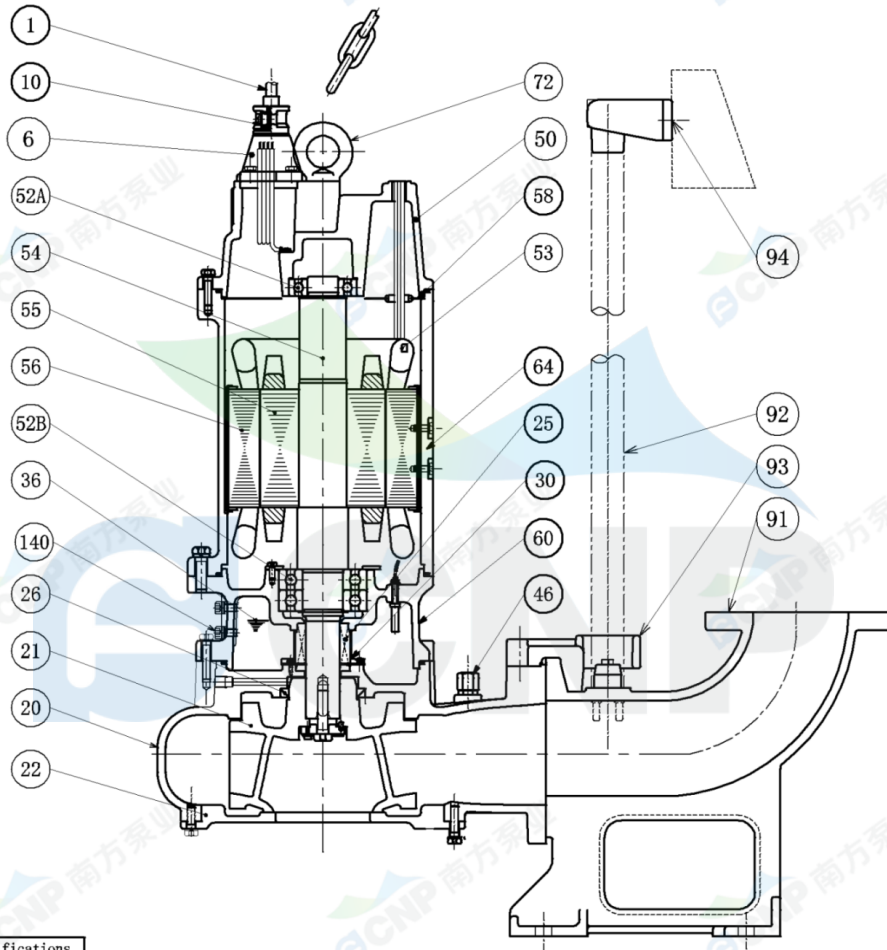
Pumped medium	Clean Water
Working temperature (°C)	20
Medium density (kg/m ³)	1000
Viscosity (mm ² /s)	1



	Structure picture 100WQ100-35-22JY(I)	Manufacturer	CNP
		Address	Yuhang District, Hangzhou, Zhejiang,
Project Name		Contact	86-571-88637351
		Date	2022/03/09
Item NO		Client Name	DPA
		Client Addr.	
		Contacts	Alireza
		Contact	

CNP Nanfang Zhongjin Environment Co., Ltd.

	SECTIONAL DRAWING	No.	No.
TYPE	submersible sewage pump	MODEL	18. 5/22KW



order specifications

No.	names of parts	number	material	No.	names of parts	number	material
1	cable	1	YZW	20	casing	1	HT200
6	cable sleeve	1	HT200	21	impeller	1	HT200
50	top cover	1	HT200	26	framework oil seal	1	NBRI-2
58	cable transit board	1	Q235	140	oil filler plug	2	SUS304
64	base	1	HT200	36	machine oil 32#		
25	mechanical seal	1	Carbon/SIC	52B	lower bearing	2	
60	lower cover	1	HT200	56	stator	1	
30	oil lift	1		55	rotor	1	
46	Air release bolt	1		54	shaft	1	
94	guiding	1	HT200	53	Mini-thermalprotector	1	
92	pipe	1	SUS304(unaffiliated)	52A	upper bearing	1	
93	guide hook	1	HT200	72	eye bolt	2	45#(forging galvanized)
91	water outlet base	1	HT200	95	lift chain	1	SUS304
22	water inlet cover	1	HT200	10	电缆线锁紧块	2	HT200

Nanfang Zhongjin Environment CO.,LTD.

unit: mm



Installation picture 100WQ100-35-22JY(I)

Manufacturer	CNP
Address	Yuhang District, Hangzhou, Zhejiang,
Contact	86-571-88637351
Date	2022/03/09
Client Name	DPA
Client Addr.	
Contacts	Alireza
Contact	

Project Name

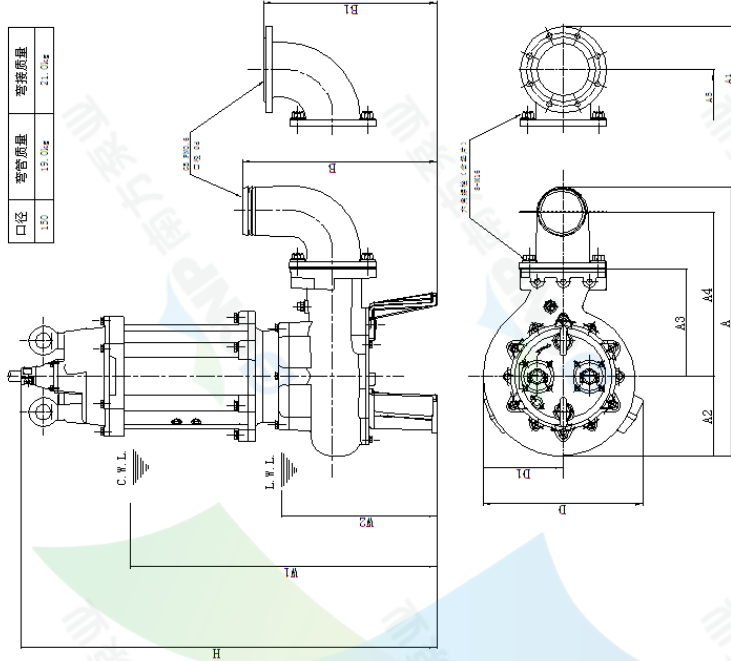
Item NO

CNP 中金环境

外形尺寸	DIMENSION DRAWING	No.	No.
TYPE	污水污物潜水泵	MODEL	100WQ100-35-22JY
名称		型号	

型号	d	A	A1	A2	A3	A4	A5	B	B1	D	D1	W1	W2	H	本体质量
100WQ100-35-22JY	100	738	838	333	332	436	489	453	439	501	283	350	350	1132	31.02kg

口径	接管质量	接管质量
150	13.02kg	21.02kg



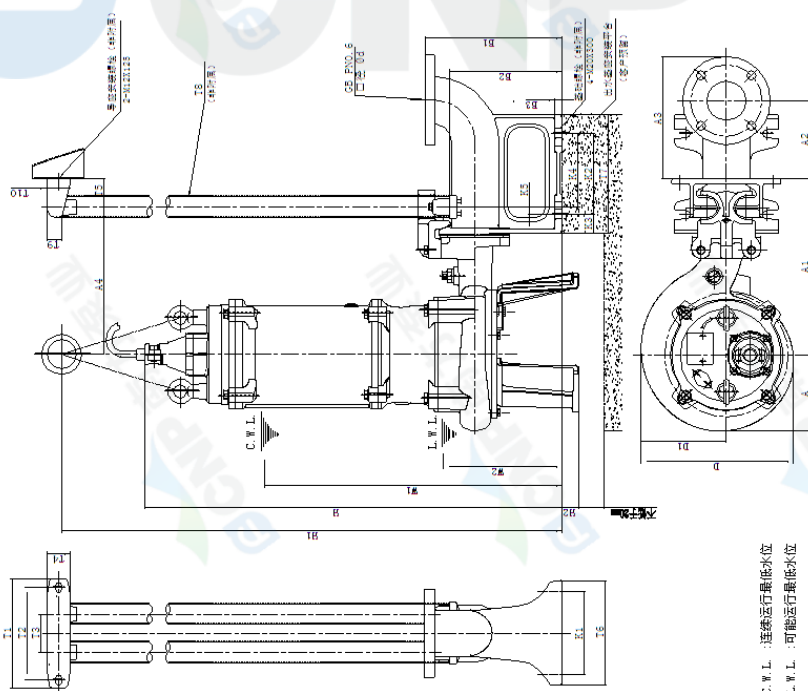
C.W.L.: 连续运行最低水位
L.W.L.: 可能运行最低水位

Manfang Zhongjin Environment CO., LTD. unit: mm

CNP 中金环境

安装外形尺寸	DIMENSION DRAWING	No.	No.
TYPE	污水污物潜水泵	MODEL	100WQ100-35-22JY
名称		型号	

型号	A	A1	A2	A3	A4	D	D1	W1	W2	H	接管质量	本体质量							
100WQ100-35-22JY	243	515	181	288	422	502	283	860	440	1142	1370	30	31.02kg						
接管接管质量	d	T1	T2	T3	T4	T5	T6	T7	T8	T9	T10	S1	S2	S3	S4	S5	S6	S7	接管接管质量
100P-100	100	300	245	100	80	195	230	2" (60.3)	40	30	200	200	45	181	191	340	285	15	35kg



C.W.L.: 连续运行最低水位
L.W.L.: 可能运行最低水位

Manfang Zhongjin Environment CO., LTD. unit: mm