
	Product Information 100WQ100-35-22(I)	Manufacturer	CNP
		Address	Yuhang District, Hangzhou, Zhejiang,
Project Name		Contact	86-571-88637351
		Date	2022/03/09
		Client Name	DPA
Item NO		Client Addr.	
		Contacts	Alireza
		Contact	

Part NO.	100WQ100-35-22(I)
Product Picture	Note
	<p>The sewage submersible pump is composed of two parts: the motor and the pump.</p> <p>The two are separated by an oil chamber and a mechanical seal assembly.</p> <p>Divided into fixed automatic coupling installation and mobile installation</p>

technology	
Pump rotator speed	1460
Nameplate standards	CE
Material	
Impeller	HT200
Pump shaft	20cr13
Rubber code	P
Pump case	HT200
Installation	
Connection Code	F
Maximum Pressure/Temperatur	6bar/40
Flange Standard	DIN
Pressure Class	PN6
Medium	
Medium Temperature	40
Maximum diameter of partic	35
Maximum Environment Temper	40
Structure dimension	
Standard caliber	DN
Outlet Diameter	DN100
Motor	
Number of Motor Phase	Three Phase
Protection Class	IP68
Insulation Class	F
Motor Power	22
Power Frequency	50HZ
Rated Voltage (V)	380V
Rated Current (A)	43.1
Starting mode	direct boot
Seal	
Mechanical Seal	H-50
Others	
Weight (kg)	310



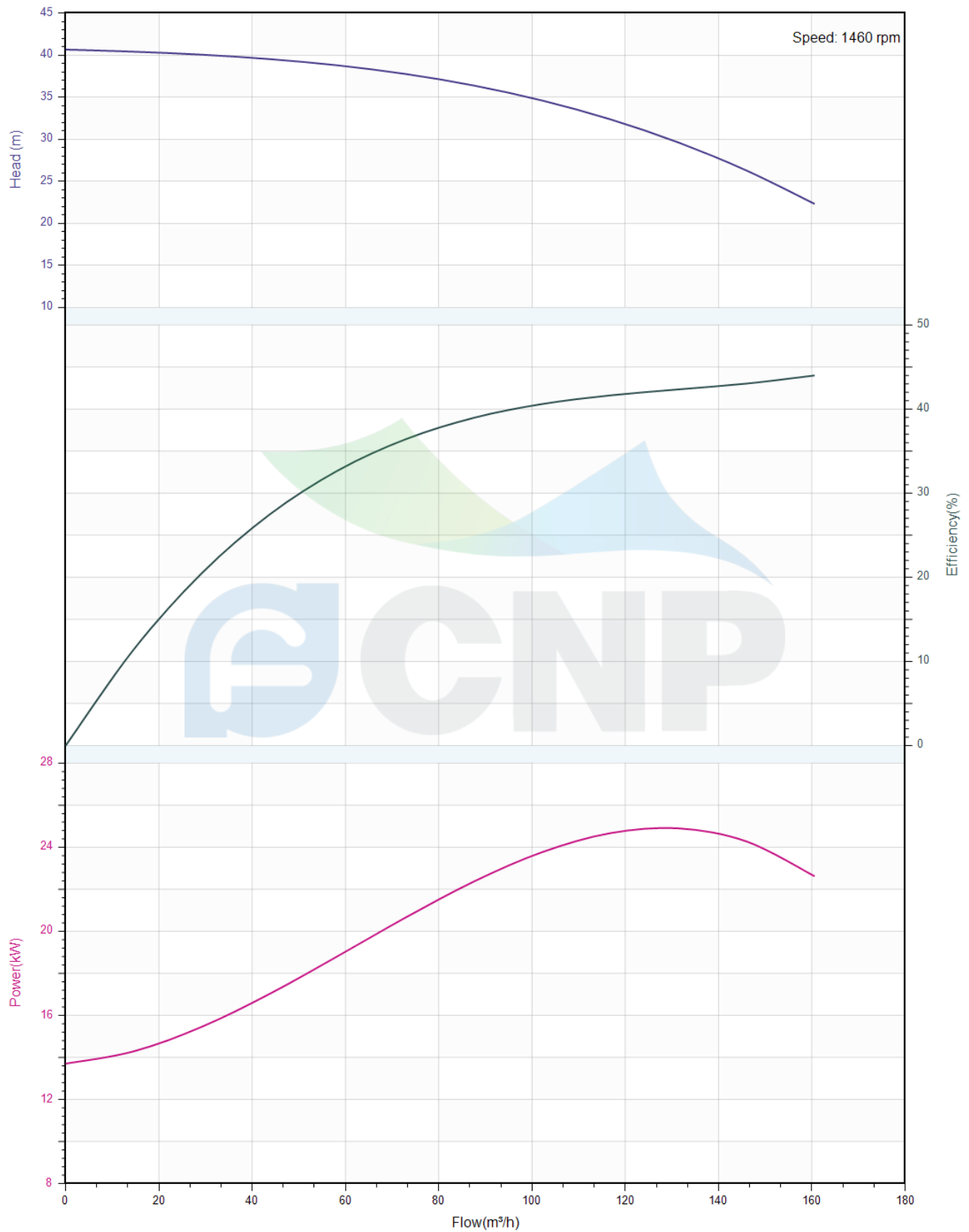
Performance Curve 100WQ100-35-22(I)

Manufacturer	CNP
Address	Yuhang District, Hangzhou, Zhejiang,
Contact	86-571-88637351
Date	2022/03/09
Client Name	DPA
Client Addr.	
Contacts	Alireza
Contact	

Project Name

Item NO

The hydraulic performance curve have been tested with Clean Water at 20°C, density 1000kg/m³, and at 1bar atmospheric pressure. ISO99062012 Grade 3B





Pump Technical Parameters 100WQ100-35-22(I)

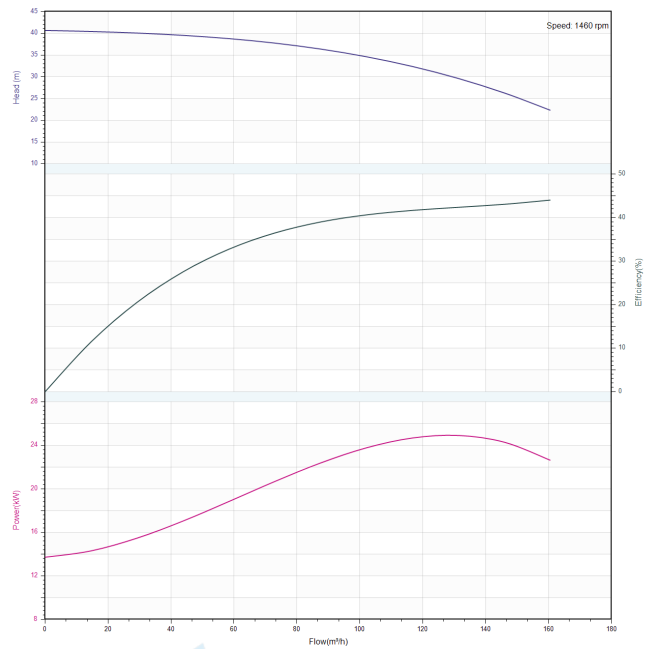
Manufacturer	CNP
Address	Yuhang District, Hangzhou, Zhejiang,
Contact	86-571-88637351
Date	2022/03/09
Client Name	DPA
Client Addr.	
Contacts	Alireza
Contact	


Rated parameters

Pump model	100WQ100-35-22(I)
Part NO.	100WQ100-35-22(I)
Rated flow (m ³ /h)	100
Rated head (m)	35
Rated efficiency (%)	61.5
Power (kW)	15.5
Speed (rpm)	1460

Medium

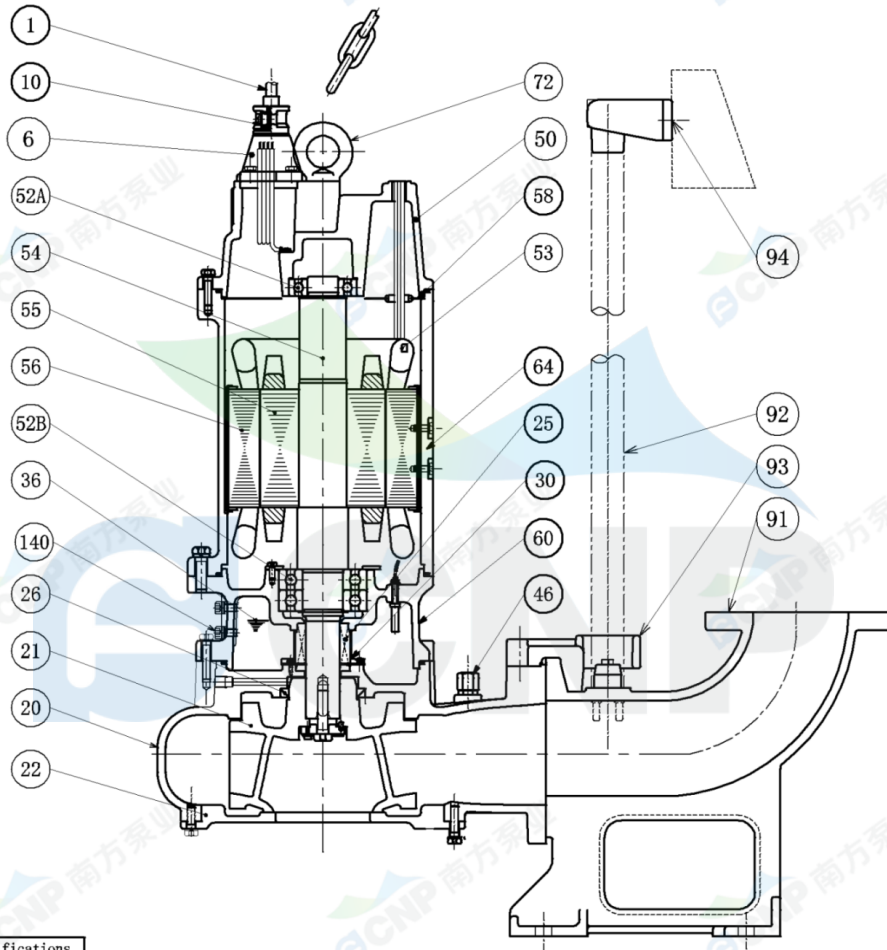
Pumped medium	Clean Water
Working temperature (°C)	20
Medium density (kg/m ³)	1000
Viscosity (mm ² /s)	1



	Structure picture 100WQ100-35-22(I)	Manufacturer	CNP
		Address	Yuhang District, Hangzhou, Zhejiang,
Project Name		Contact	86-571-88637351
		Date	2022/03/09
		Client Name	DPA
Item NO		Client Addr.	
		Contacts	Alireza
		Contact	

CNP Nanfang Zhongjin Environment Co., Ltd.

	SECTIONAL DRAWING	No.	No.
TYPE	submersible sewage pump	MODEL	18.5/22KW



order specifications

No.	names of parts	number	material	No.	names of parts	number	material
1	cable	1	YZW	20	casing	1	HT200
6	cable sleeve	1	HT200	21	impeller	1	HT200
50	top cover	1	HT200	26	framework oil seal	1	NBRI-2
58	cable transit board	1	Q235	140	oil filler plug	2	SUS304
64	base	1	HT200	36	machine oil 32#		
25	mechanical seal	1	Carbon/SiC	52B	lower bearing	2	
60	lower cover	1	HT200	56	stator	1	
30	oil lift	1		55	rotor	1	
46	Air release bolt	1		54	shaft	1	
94	guiding	1	HT200	53	Mini-thermalprotector	1	
92	pipe	1	SUS304(unaffiliated)	52A	upper bearing	1	
93	guide hook	1	HT200	72	eye bolt	2	45#(forging galvanized)
91	water outlet base	1	HT200	95	lift chain	1	SUS304
22	water inlet cover	1	HT200	10	电缆线锁紧块	2	HT200

Nanfang Zhongjin Environment CO.,LTD.

unit: mm



Installation picture 100WQ100-35-22(I)

Manufacturer	CNP
Address	Yuhang District, Hangzhou, Zhejiang,
Contact	86-571-88637351
Date	2022/03/09
Client Name	DPA
Client Addr.	
Contacts	Alireza
Contact	

Project Name

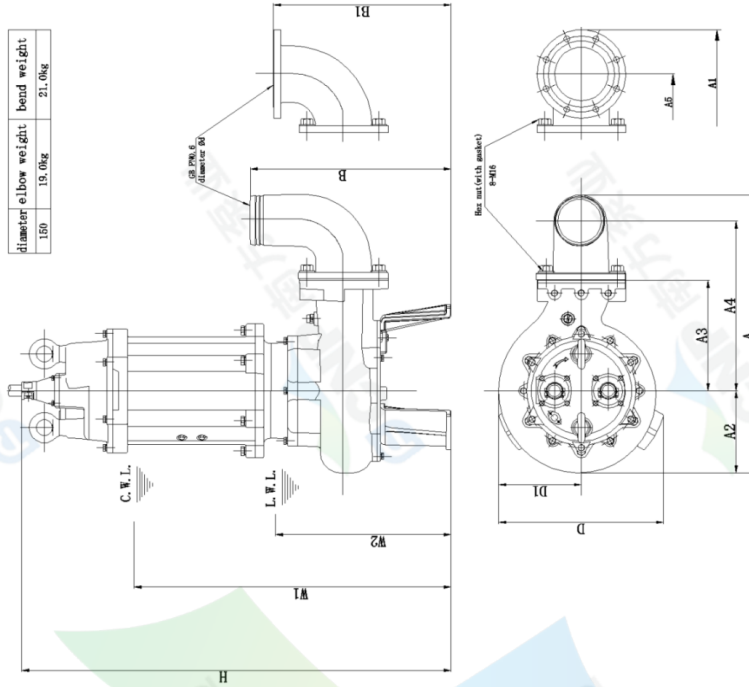
Item NO

CNP Nanfang Zhongjin Environment Co., Ltd.

DIMENSION DRAWING		No.	No.	
TYPE		MODEL		
submersible sewage pump		100WQ100-35-22		

MODEL	d	A	A1	A2	A3	A4	B	B1	D	D1	W1	W2	H	Body weight
100WQ100-35-22	100	758	230	253	352	465	150	383	439	501	292	950	344	285kg

dia meter	150
elbow weight	19.0kg
bend weight	21.0kg



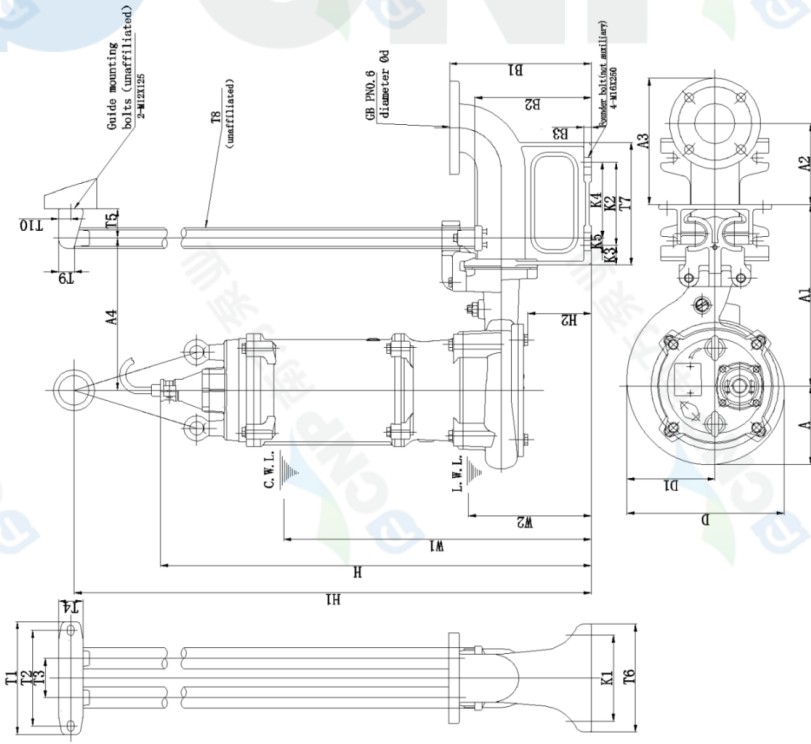
C.W.L. :minimum water level under continuous operation
L.W.L. :minimum water level under possible operation

Nanfang Zhongjin Environment CO., LTD. unit: mm

CNP Nanfang Zhongjin Environment Co., Ltd.

DIMENSION DRAWING		No.	No.	
TYPE		MODEL		
submersible sewage pump		100WQ100-35-22		

MODEL	A	A1	A2	A3	A4	D	D1	W1	W2	H	H1	H2	H3	Body weight							
100WQ100-35-22	253	515	181	286	420	502	263	810	440	1166	1566	131	250kg								
dia meter	d	T1	T2	T3	T4	T5	T6	T7	T8	T9	T10	K1	K2	Locating weight							
100WQ100-35-22	100	300	245	100	60	95	250	250	27	60x3.5	40	30	200	200	46	181	19	340	285	15	351kg



C.W.L. :minimum water level under continuous operation
L.W.L. :minimum water level under possible operation

Nanfang Zhongjin Environment CO., LTD. unit: mm