
	<b>Product Information</b> <b>100WQ100-30-15JY(I)</b>	Manufacturer	CNP
		Address	Yuhang District, Hangzhou, Zhejiang,
<b>Project Name</b>		Contact	86-571-88637351
		Date	2022/03/09
		Client Name	DPA
<b>Item NO</b>		Client Addr.	
		Contacts	Alireza
		Contact	

Part NO.	100WQ100-30-15JY
Product Picture	Note
	<p>The sewage submersible pump is composed of two parts: the motor and the pump.</p> <p>The two are separated by an oil chamber and a mechanical seal assembly.</p> <p>Divided into fixed automatic coupling installation and mobile installation</p>

### technology

Pump rotator speed	2930
Nameplate standards	CE

### Material

Impeller	HT200
Pump shaft	20cr13
Rubber code	P
Pump case	HT200

### Installation

Connection Code	F
Maximum Pressure/Temperatu	6bar/40
Flange Standard	DIN
Pressure Class	PN6

### Medium

Medium Temperature	40
Maximum diameter of partic	27.5
Maximum Environment Temper	40

### Structure dimension

Standard caliber	DN
Outlet Diameter	DN100

### Motor

Number of Motor Phase	Three Phase
Protection Class	IP68
Insulation Class	F
Motor Power	15
Power Frequency	50HZ
Rated Voltage (V)	380V
Rated Current (A)	29.1
Starting mode	direct boot

### Seal

Mechanical Seal	H-30
-----------------	------

### Others

Weight (kg)	131
-------------	-----



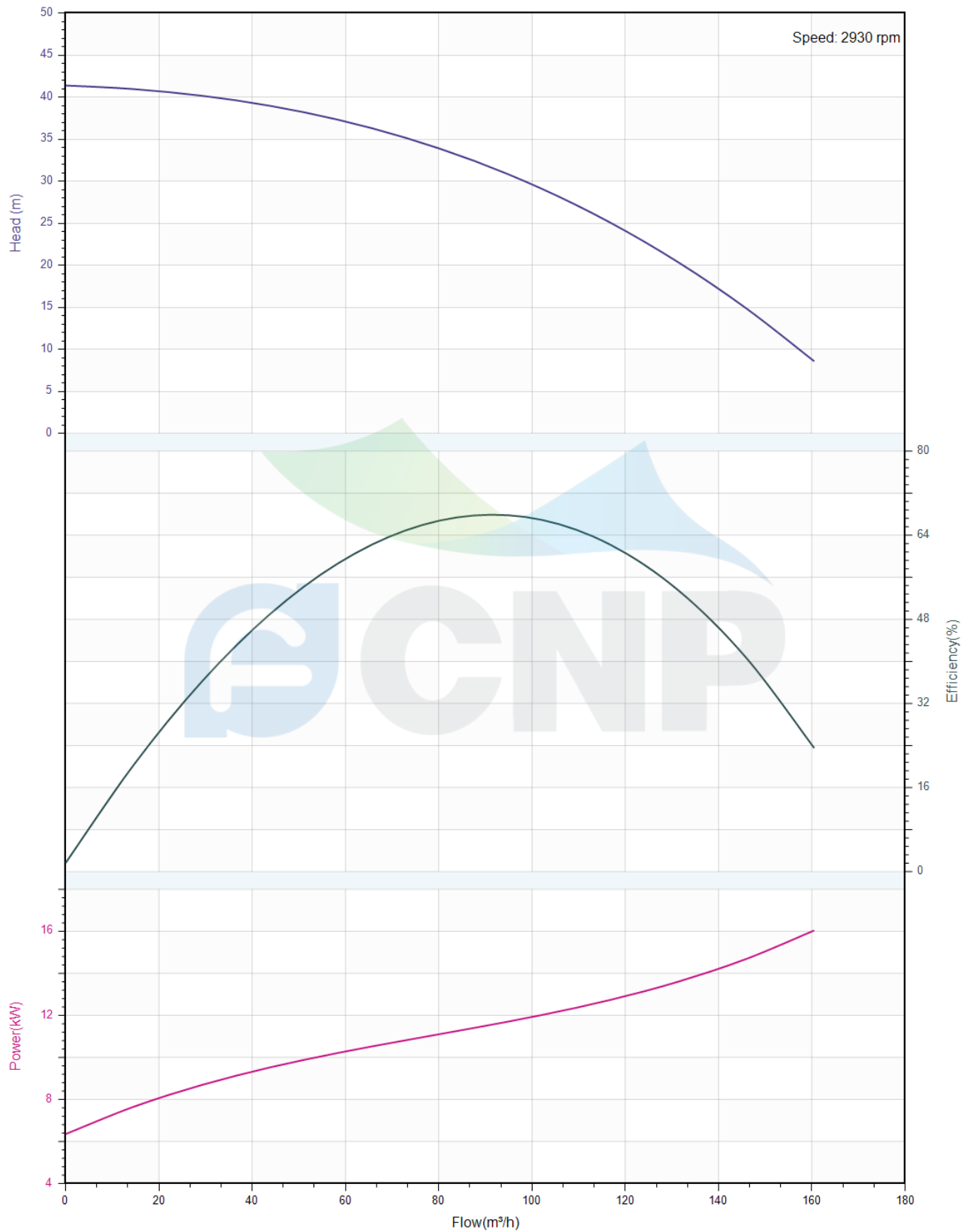
### Performance Curve 100WQ100-30-15JY(I)

Manufacturer	CNP
Address	Yuhang District, Hangzhou, Zhejiang,
Contact	86-571-88637351
Date	2022/03/09
Client Name	DPA
Client Addr.	
Contacts	Alireza
Contact	

Project Name

Item NO

The hydraulic performance curve have been tested with Clean Water at 20°C, density 1000kg/m<sup>3</sup>, and at 1bar atmospheric pressure. ISO99062012 Grade 3B





### Pump Technical Parameters 100WQ100-30-15JY(I)

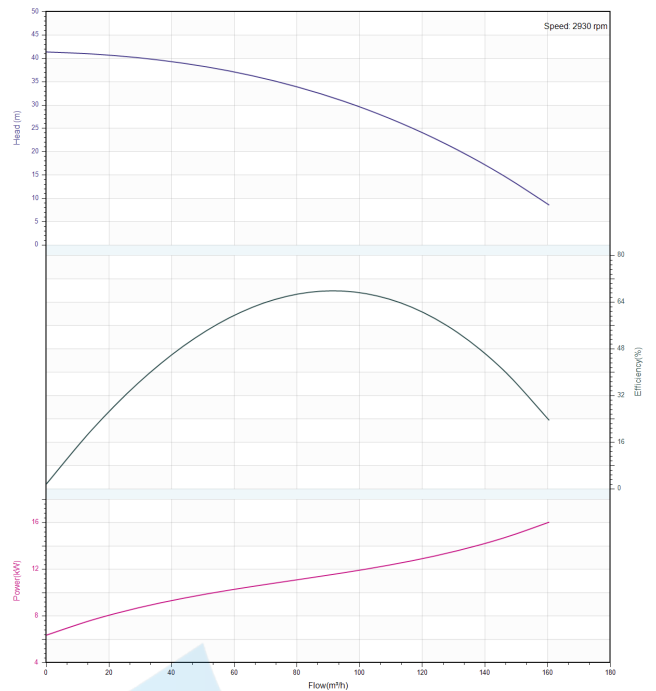
Manufacturer	CNP
Address	Yuhang District, Hangzhou, Zhejiang,
Contact	86-571-88637351
Date	2022/03/09
Client Name	DPA
Client Addr.	
Contacts	Alireza
Contact	


#### Rated parameters

Pump model	100WQ100-30-15JY(I)
Part NO.	100WQ100-30-15JY
Rated flow (m <sup>3</sup> /h)	100
Rated head (m)	30
Rated efficiency (%)	65.2
Power (kW)	12.54
NPSHr (m)	2
Speed (rpm)	2930

#### Medium

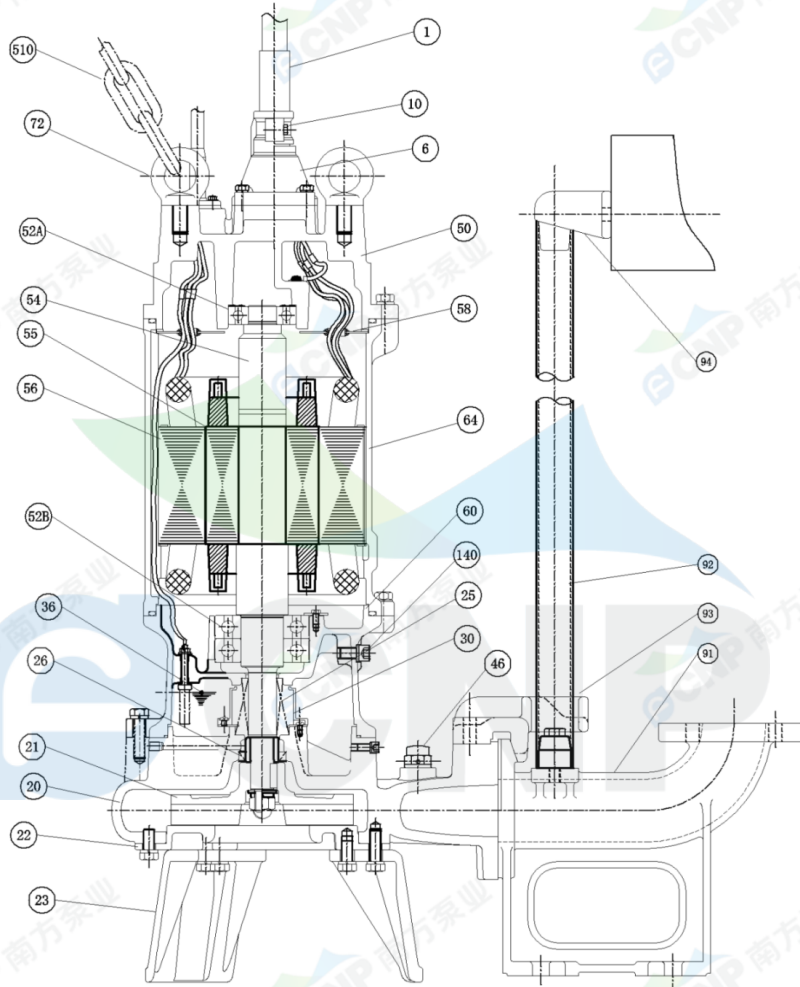
Pumped medium	Clean Water
Working temperature (°C)	20
Medium density (kg/m <sup>3</sup> )	1000
Viscosity (mm <sup>2</sup> /s)	1



	<b>Structure picture</b> <b>100WQ100-30-15JY(I)</b>	Manufacturer	CNP
		Address	Yuhang District, Hangzhou, Zhejiang,
Project Name		Contact	86-571-88637351
		Date	2022/03/09
Item NO		Client Name	DPA
		Client Addr.	
		Contacts	Alireza
		Contact	

## CNP Nanfang Zhongjin Environment Co., Ltd.

	<b>SECTIONAL DRAWING</b>	No.	No.
TYPE	submersible sewage pump	MODEL	WQ-11/15kW



order specifications	

No.	names of parts	number	material	No.	names of parts	number	material
1	cable	1	YZW	20	casing	1	HT200
6	cable sleeve	1	HT200	21	impeller	1	HT200
50	top cover	1	HT200	26	framework oil seal	1	NBR-2
58	cable transit board	1	Q235	140	oil filler plug	2	SUS304
64	base	1	HT200	36	machine oil 32#		
25	mechanical seal	1	Carbon/SIC	52B	lower bearing	2	
60	lower cover	1	HT200	56	stator	1	
30	oil lift	1		55	rotor	1	
46	Air release bolt	1		54	shaft	1	
94	guiding	1	HT200	52A	upper bearing	1	
92	pipe	1	SUS304(unaffiliated)	72	eye bolt	2	SUS304
93	guide hook	1	HT200	510	lift chain	1	45#(forging galvanized)
91	water outlet base	1	HT200	23	foot bracket	3	HT200
22	water inlet cover	1	HT200	10	Cable lockblock	2	HT200

Nanfang Zhongjin Environment CO.,LTD.

unit : mm



### Installation picture 100WQ100-30-15JY(I)

Manufacturer	CNP
Address	Yuhang District, Hangzhou, Zhejiang,
Contact	86-571-88637351
Date	2022/03/09
Client Name	DPA
Client Addr.	
Contacts	Alireza
Contact	

Project Name

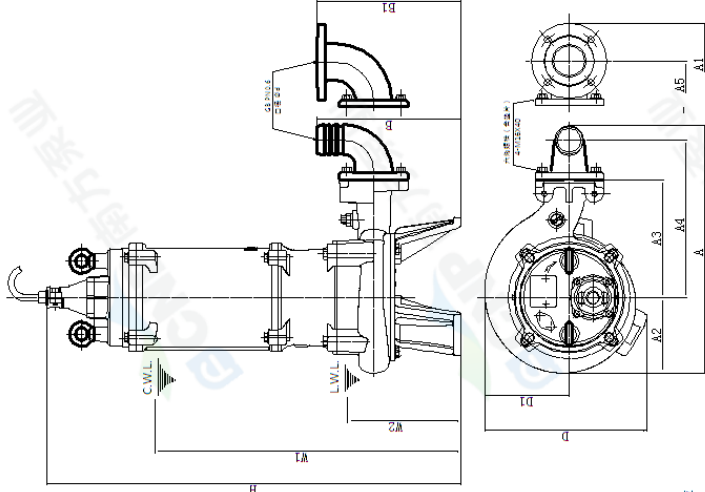
Item NO

CNP 中金环境

外型尺寸 TYPE 名称	DIMENSION DRAWING No.	No.
污水污物潜水泵	100WQ100-30-15JY	

型号	A	A1	A2	A3	A4	D	D1	D2	H	H1	H2	H3	安装重量	
100WQ100-30-15JY	168	385	181	266	290	335	186	676	256	934	1334	26	194	128kg
规格范围	6-15	75-78	74-78	74-78	74-78	78-112	63-112	63-112	30-200	200-45	181-340	285-15	35kg	
口径	100	100	100	100	100	100	100	100	200	200	200	200	15	35kg

口径	100	6.5kg	普通重量	10.5kg
----	-----	-------	------	--------



C.W.L. 连续运行最低水位  
L.W.L. 可能运行最低水位

unit : mm

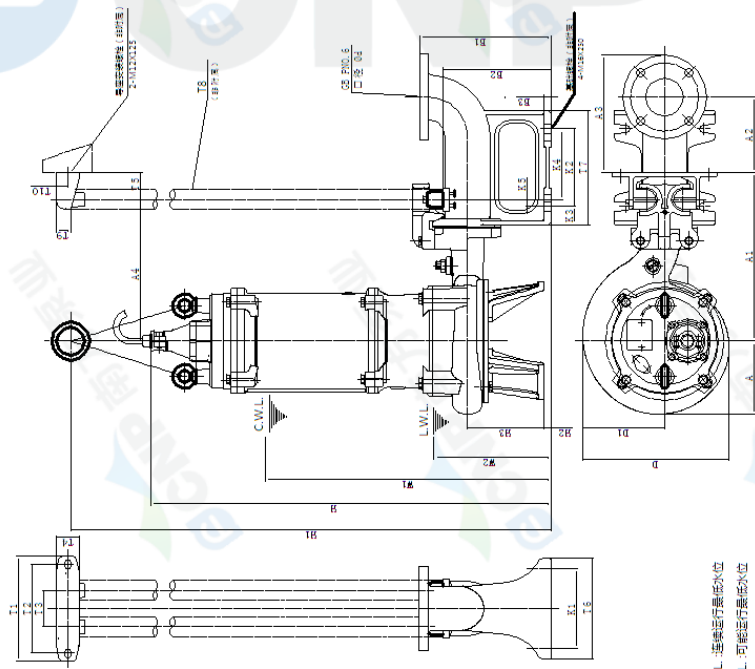
Nanfeng Zhongjin Environment CO.,LTD.

南方中金环境股份有限公司

CNP 中金环境

外型尺寸 TYPE 名称	DIMENSION DRAWING No.	No.
污水污物潜水泵	100WQ100-30-15JY	

型号	A	A1	A2	A3	A4	D	D1	D2	H	H1	H2	H3	安装重量	
100WQ100-30-15JY	168	385	181	266	290	335	186	676	256	934	1334	26	194	128kg
规格范围	6-15	75-78	74-78	74-78	74-78	78-112	63-112	63-112	30-200	200-45	181-340	285-15	35kg	
口径	100	100	100	100	100	100	100	100	200	200	200	200	15	35kg



C.W.L. 连续运行最低水位  
L.W.L. 可能运行最低水位

unit : mm

Nanfeng Zhongjin Environment CO.,LTD.

南方中金环境股份有限公司