	<b>Product Information</b> <b>40QYL-6</b>	Manufacturer	CNP
		Address	
		Telephone	400-826-7722
		Date	3/8/2022
Project Name	Demo	Client Name	DPA
Item Number	001	Client Addr.	
		Contact Name	Alireza
		Telephone	

Product No.:	112104006110
Series description:	

High efficiency; Low noise; Simple in struction and operation

<b>Rated Paramter</b>	
Flow(m <sup>3</sup> /h)	6
Height(m)	40
Eff(%)	39
Power(kW)	1.68
NPSHr(m)	2.3
Impeller Dia(mm)	90
Speed(rpm)	2900
<b>technology</b>	
Pump rotator speed	2900
Nameplate standards	CE
<b>Material</b>	
Impeller	304
Pump cover	304
Pump body	304
Rubber code	E
Material Code	S
<b>Installation</b>	
Gas-liquid Ratio	1
<b>Medium</b>	
Maximum Environment Temperature: +40	
Liquid Temperature Range: -15~+105	
<b>Structure dimension</b>	
Rotation Direction	Anti-clockwise rotation viewing from motor side
<b>Motor</b>	
Number of Motor Phase	Three Phase
Protection Class	IP55
Insulation Class	F
Motor Power	4
Motor model	YE2
Power Frequency	50HZ
Rated Voltage (V)	380V
Rated Current (A)	8.0
Energy Efficiency Level	IE2
<b>Seal</b>	
Mechanical Seal	QY-20/SSE4



**Product Information**  
**40QYL-6**

Manufacturer	CNP
Address	
Telephone	400-826-7722
Date	3/8/2022
Client Name	DPA
Client Addr.	
Contact Name	Alireza
Telephone	

Project Name	Demo
Item Number	001

Seal:  
Mechanical Seal                    QY-20/SSE4

Others  
Weight (kg)                            65

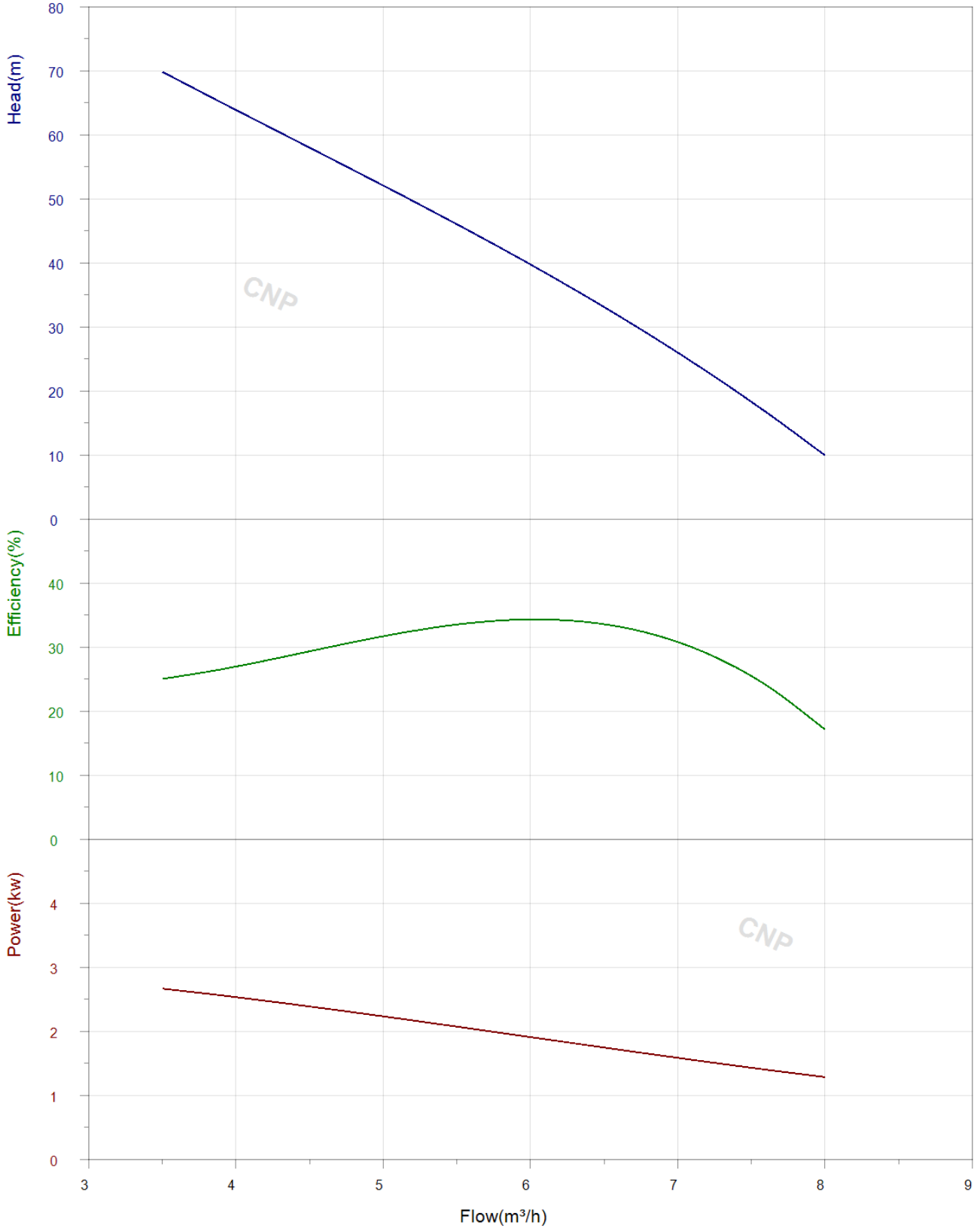


# Performance Curve 40QYL-6

Manufacturer	CNP
Address	
Telephone	400-826-7722
Date	3/8/2022
Client Name	DPA
Client Addr.	
Contact Name	Alireza
Telephone	

Project Name	Demo
Item Number	001

Medium Name: Clear Water, Temperature: 20, Density: 1000kg/m<sup>3</sup>, Viscosity: 1mm<sup>2</sup>/s





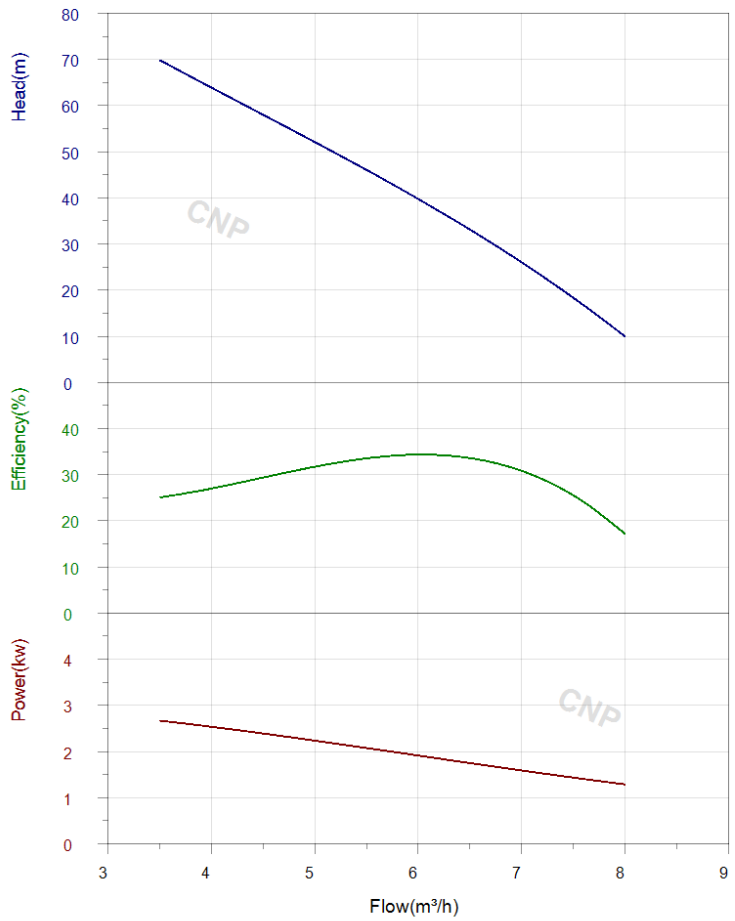
## Technical parameters


### 40QYL-6

Manufacturer	CNP
Address	
Telephone	400-826-7722
Date	3/8/2022
Client Name	DPA
Client Addr.	
Contact Name	Alireza
Telephone	

Project Name	Demo
Item Number	001

Rated parameters	
Pump model	40QYL-6
Product No.	112104006110
Rated speed(r/min)	2900
Design point parameters	
Flow(m <sup>3</sup> /h)	
Head(m)	
Static head(m)	0
Operating point parameters	
Flow(m <sup>3</sup> /h)	
Head(m)	
Efficiency(%)	
Power(kW)	
Speed	
Impeller Diameter(mm)	90.00
Medium	
Medium Name	Clear Water
Working temperature(°C)	20
Medium density(kg/m <sup>3</sup> )	1000
Viscosity(mm <sup>2</sup> /s)	1



	<b>Product information</b> <b>40QYL-6</b>	Manufacturer	CNP
		Address	
Project Name	Demo	Telephone	400-826-7722
		Date	3/8/2022
Item Number	001	Client Name	DPA
		Client Addr.	
		Contact Name	Alireza
		Telephone	

Description	Value
-------------	-------

**General information**

Product model	40QYL-6
Product No.	112104006110

**Rated Paramter**

Flow(m <sup>3</sup> /h)	6
Height(m)	40
Eff(%)	39
Power(kW)	1.68
NPSHr(m)	2.3
Impeller Dia(mm)	90
Speed(rpm)	2900

**technology**

Pump rotator speed	2900
Nameplate standards	CE

**Material**

Impeller	304
Pump cover	304
Pump body	304
Rubber code	E
Material Code	S

**Installation**

Gas-liquid Ratio	1
------------------	---

**Medium**

Maximum Environment Temperature:	+40
Liquid Temperature Range:	-15~+105

**Structure dimension**

Rotation Direction	Anti-clockwise rotation viewing from motor side
--------------------	---

**Motor**

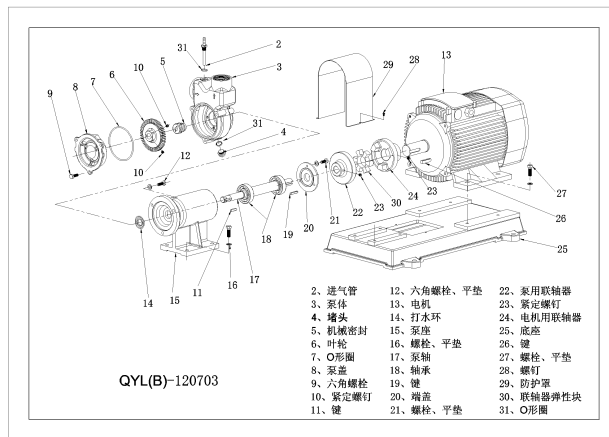
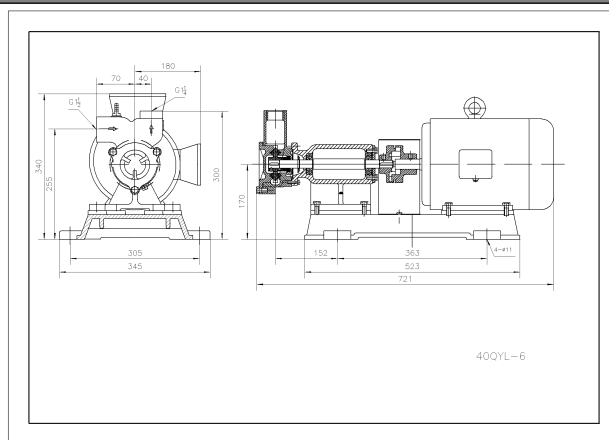
Number of Motor Phase	Three Phase
Protection Class	IP55
Insulation Class	F
Motor Power	4
Motor model	YE2
Power Frequency	50HZ
Rated Voltage (V)	380V
Rated Current (A)	8.0
Energy Efficiency Level	IE2

**Seal**

Mechanical Seal	QY-20/SSE4
-----------------	------------

**Others**

Weight (kg)	65
-------------	----

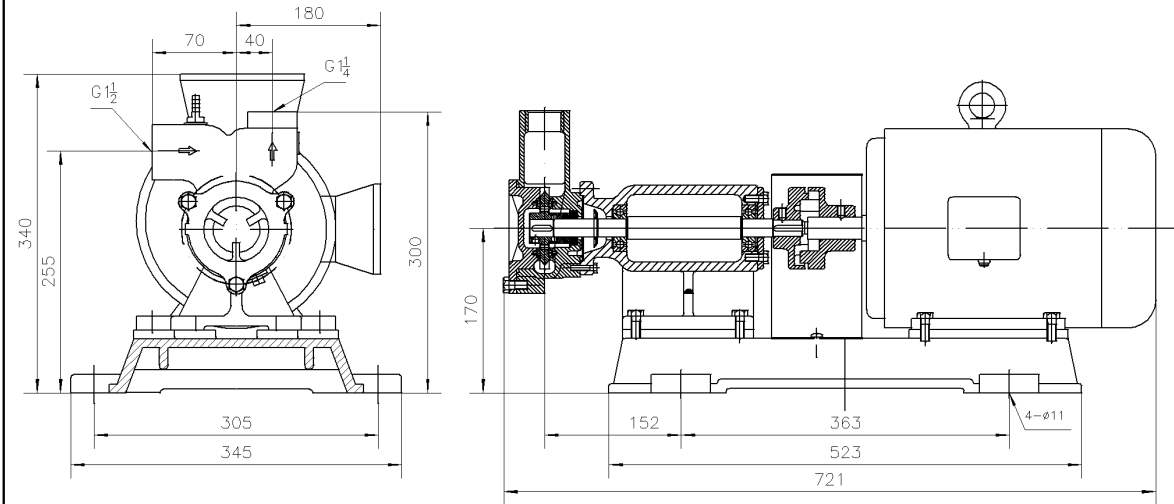




# Dimensional Drawing 40QYL-6

Manufacturer	CNP
Address	
Telephone	400-826-7722
Date	3/8/2022
Client Name	DPA
Client Addr.	
Contact Name	Alireza
Telephone	

Project Name	Demo
Item Number	001



40QYL-6



**Model Drawing**  
**40QYL-6**

Manufacturer	CNP
Address	
Telephone	400-826-7722
Date	3/8/2022
Client Name	DPA
Client Addr.	
Contact Name	Alireza
Telephone	

Project Name	Demo
Item Number	001

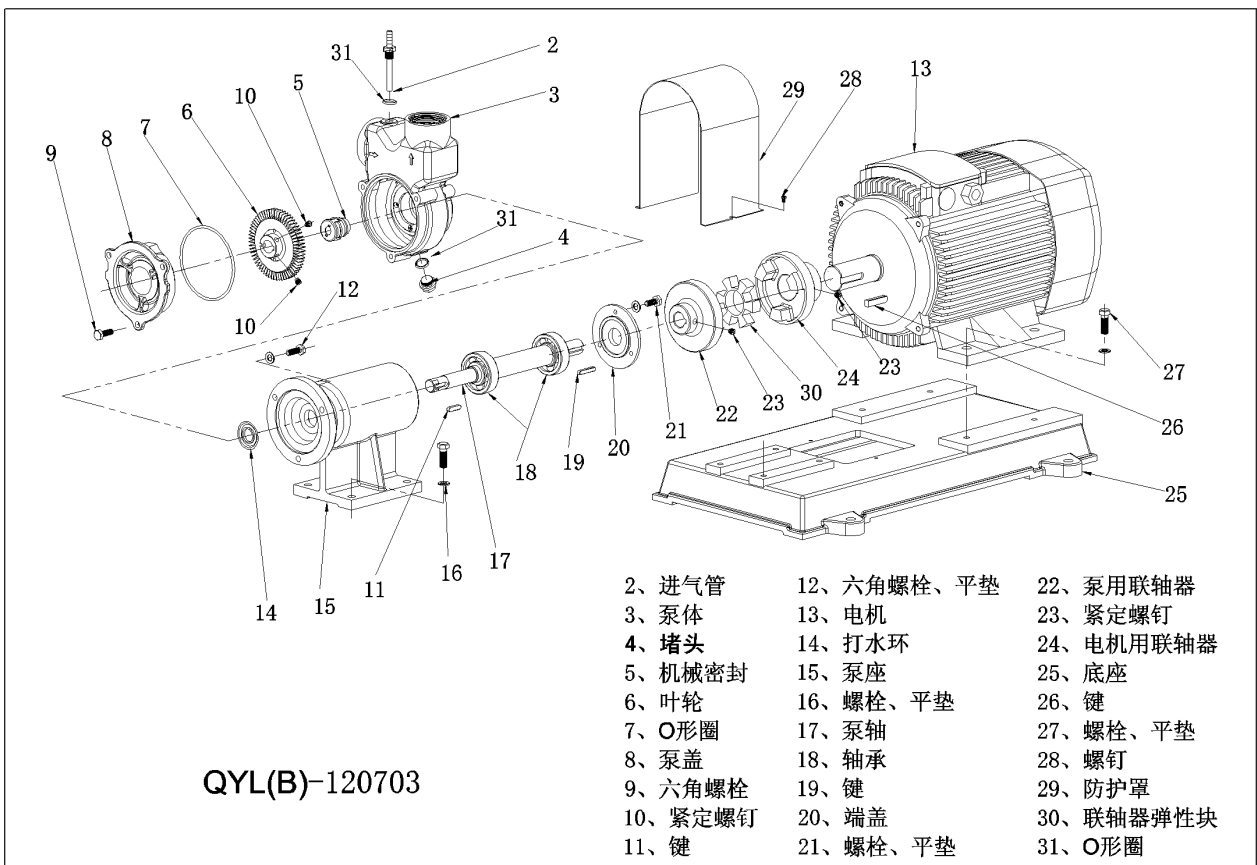




# Structure Drawing 40QYL-6

Manufacturer	CNP
Address	
Telephone	400-826-7722
Date	3/8/2022
Client Name	DPA
Client Addr.	
Contact Name	Alireza
Telephone	

Project Name	Demo
Item Number	001







**Order data**  
**40QYL-6**

Manufacturer	CNP
Address	
Telephone	400-826-7722
Date	3/8/2022
Client Name	DPA
Client Addr.	
Contact Name	Alireza
Telephone	

Project Name	Demo
Item Number	001

Pump model: 40QYL-6  
Product No.: 112104006110  
Product price:  
Product quantity: 1

Total: inquiry: \_\_\_\_\_

Inquiry notes: