
	<b>Product Information</b> <b>25QYL-2</b>	Manufacturer	CNP
		Address	Yuhang District, Hangzhou, Zhejiang,
Project Name		Contact	86-571-88637351
		Date	2022/03/09
Item NO		Client Name	DPA
		Client Addr.	
		Contacts	Alireza
		Contact	

Part NO.	1100055476
----------	------------

Product Picture	Note
	<p>Horizontal installed stainless steel self-priming gas-liquid mixed pump.  The over-current parts are all made of stainless steel.  When the pump is running, it will inhale while absorbing water, and mix under pressure in the pump.</p>

<b>technology</b>	
Pump rotator speed	2900
Nameplate standards	CE
<b>Material</b>	
Impeller	304
Pump cover	304
Pump body	304
Rubber code	E
Material Code	S
<b>Installation</b>	
Gas-liquid Ratio	1
<b>Medium</b>	
Maximum Environment Temper	+40
Liquid Temperature Range	-15~+105
<b>Structure dimension</b>	
Rotation Direction	Anti-clockwise rotation viewing from motor side
<b>Motor</b>	
Number of Motor Phase	Three Phase
Protection Class	IP55
Insulation Class	F
Motor Power	1.1
Motor model	YE2
Power Frequency	50HZ
Rated Voltage (V)	380V
Rated Current (A)	4.4/2.5
Energy Efficiency Level	IE2
<b>Seal</b>	
Mechanical Seal	QY-17/SSE4
<b>Others</b>	
Weight (kg)	36



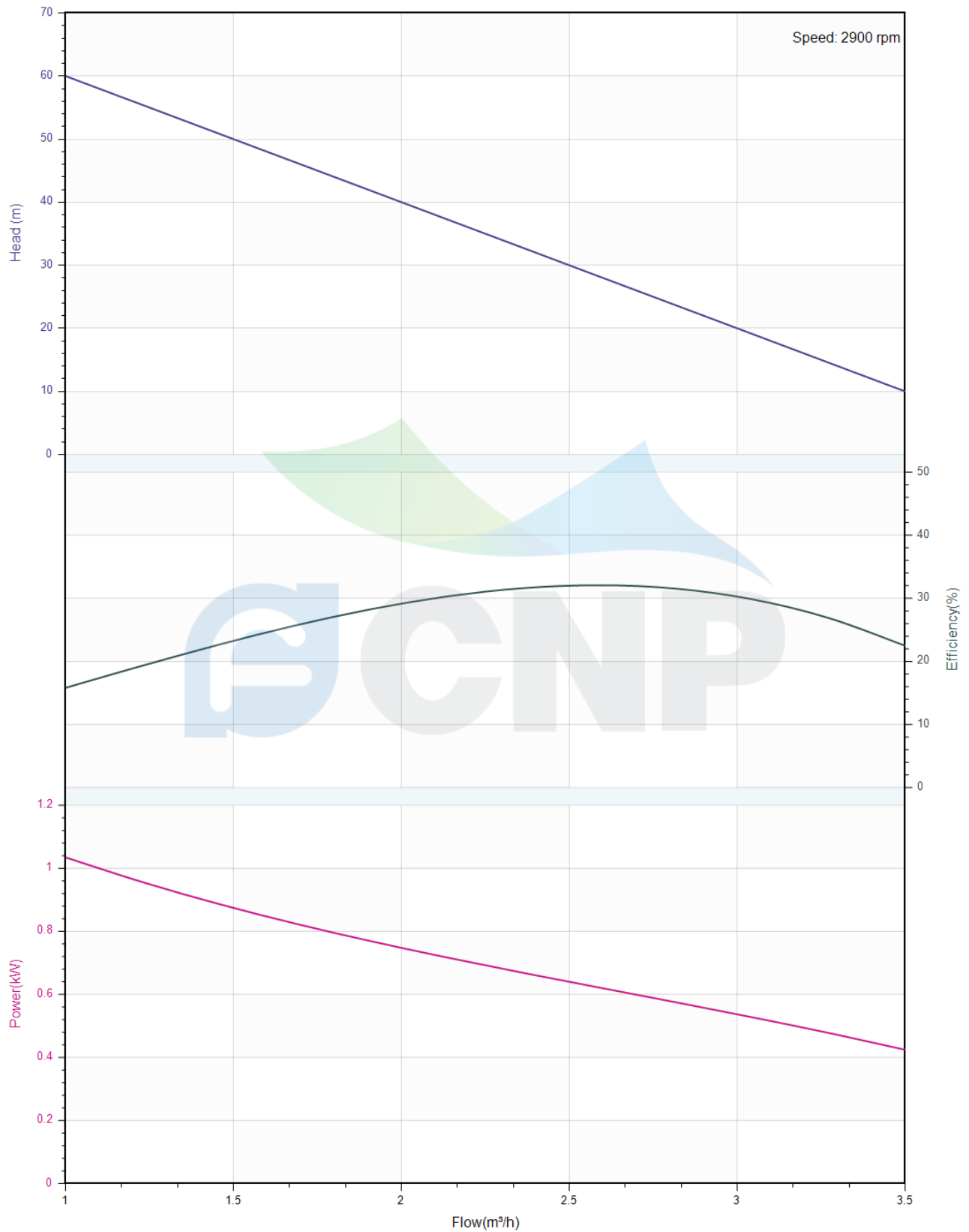
### Performance Curve 25QYL-2

Manufacturer	CNP
Address	Yuhang District, Hangzhou, Zhejiang,
Contact	86-571-88637351
Date	2022/03/09
Client Name	DPA
Client Addr.	
Contacts	Alireza
Contact	

Project Name

Item NO

The hydraulic performance curve have been tested with Clean Water at 20°C, density 1000kg/m<sup>3</sup>, and at 1bar atmospheric pressure. ISO99062012 Grade 3B





## Pump Technical Parameters 25QYL-2

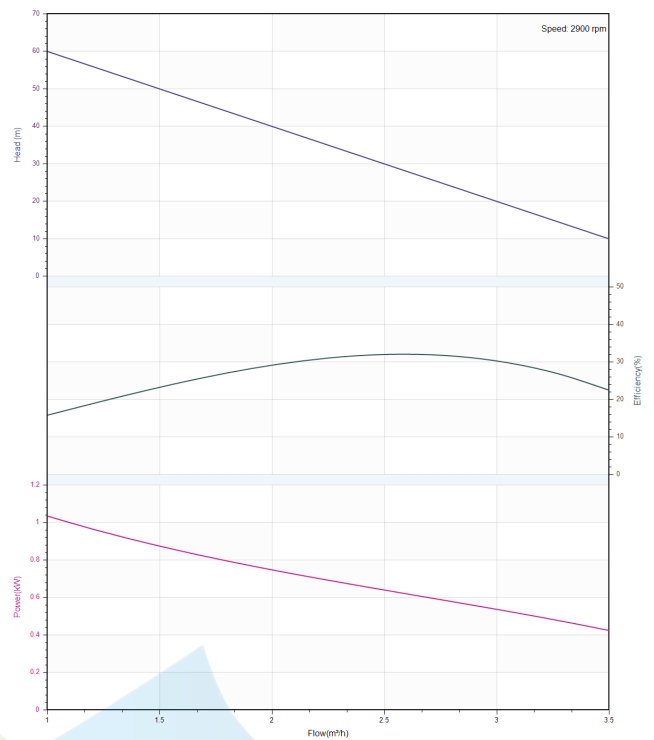
Manufacturer	CNP
Address	Yuhang District, Hangzhou, Zhejiang,
Contact	86-571-88637351
Date	2022/03/09
Client Name	DPA
Client Addr.	
Contacts	Alireza
Contact	

### Rated parameters

Pump model	25QYL-2
Part NO.	1100055476
Rated flow (m <sup>3</sup> /h)	2
Rated head (m)	40
Rated efficiency (%)	28
Power (kW)	0.78
NPSHr (m)	2
Speed (rpm)	2900
Max impeller diameter (mm)	72.8

### Medium

Pumped medium	Clean Water
Working temperature (°C)	20
Medium density (kg/m <sup>3</sup> )	1000
Viscosity (mm <sup>2</sup> /s)	1



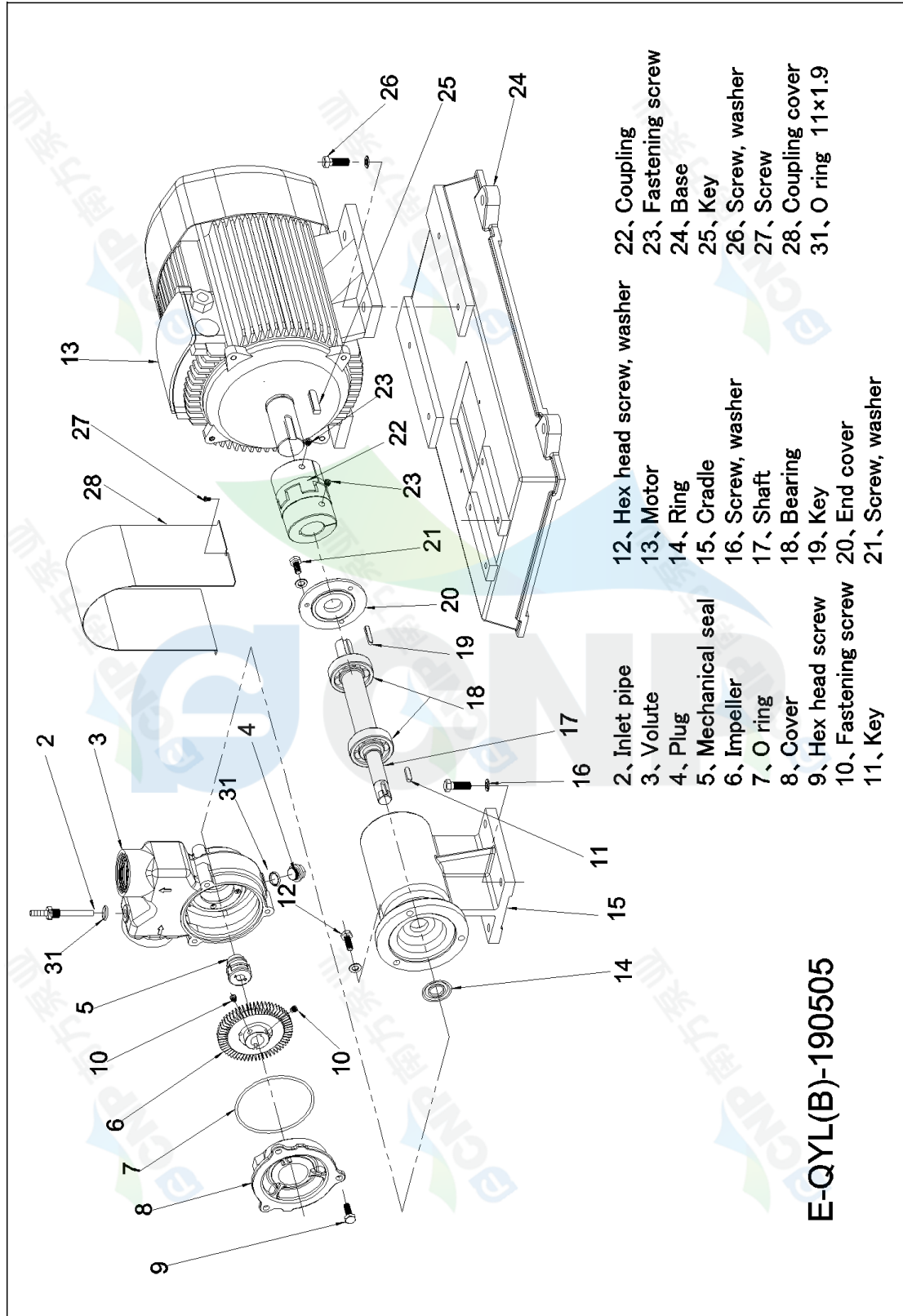


**Structure picture**  
**25QYL-2**

Manufacturer	CNP
Address	Yuhang District, Hangzhou, Zhejiang,
Contact	86-571-88637351
Date	2022/03/09
Client Name	DPA
Client Addr.	
Contacts	Alireza
Contact	

Project Name

Item NO



- 12, Hex head screw, washer
- 13, Motor
- 14, Ring
- 15, Cradle
- 16, Screw, washer
- 17, Shaft
- 18, Bearing
- 19, Key
- 20, End cover
- 21, Screw, washer
- 22, Coupling
- 23, Fastening screw
- 24, Base
- 25, Key
- 26, Screw, washer
- 27, Screw
- 28, Coupling cover
- 31, O ring 11x1.9

**E-QYL(B)-190505**



### Dimension Drawing 25QYL-2

Manufacturer	CNP
Address	Yuhang District, Hangzhou, Zhejiang,
Contact	86-571-88637351
Date	2022/03/09
Client Name	DPA
Client Addr.	
Contacts	Alireza
Contact	

Project Name

Item NO

