



Product Information

25QYB-2

Manufacturer	CNP
Address	
Telephone	400-826-7722
Date	3/8/2022
Client Name	DPA
Client Addr.	
Contact Name	Alireza
Telephone	

Project Name	Demo
Item Number	001

Product No.:	112102502090
Series description:	

High efficiency; Low noise; Simple in struction and operation

Rated Paramter

Flow(m³/h)	2
Height(m)	40
Eff(%)	31.5
Power(kW)	0.69
NPSHr(m)	2
Impeller Dia(mm)	72.8
Speed(rpm)	2900

technology

Pump rotator speed	2900
Nameplate standards	CE

Material

Impeller	304
Pump cover	304
Pump body	304
Rubber code	E
Material Code	S

Installation

Gas-liquid Ratio	1
------------------	---

Medium

Maximum Environment Temperature: +40
 Liquid Temperature Range: -15~+105

Structure dimension

Rotation Direction Anti-clockwise rotation viewing from motor side

Motor

Number of Motor Phase	Three Phase
Protection Class	IP55
Insulation Class	F
Motor Power	1.1
Motor model	YE2
Power Frequency	50HZ
Rated Voltage (V)	380V
Rated Current (A)	4.4/2.5
Energy Efficiency Level	IE2

Seal

Mechanical Seal	QY-17/SSE4
-----------------	------------



Product Information
25QYB-2

Manufacturer	CNP
Address	
Telephone	400-826-7722
Date	3/8/2022
Client Name	DPA
Client Addr.	
Contact Name	Alireza
Telephone	

Project Name	Demo
Item Number	001

Seal:
Mechanical Seal QY-17/SSE4

Others
Weight (kg) 27

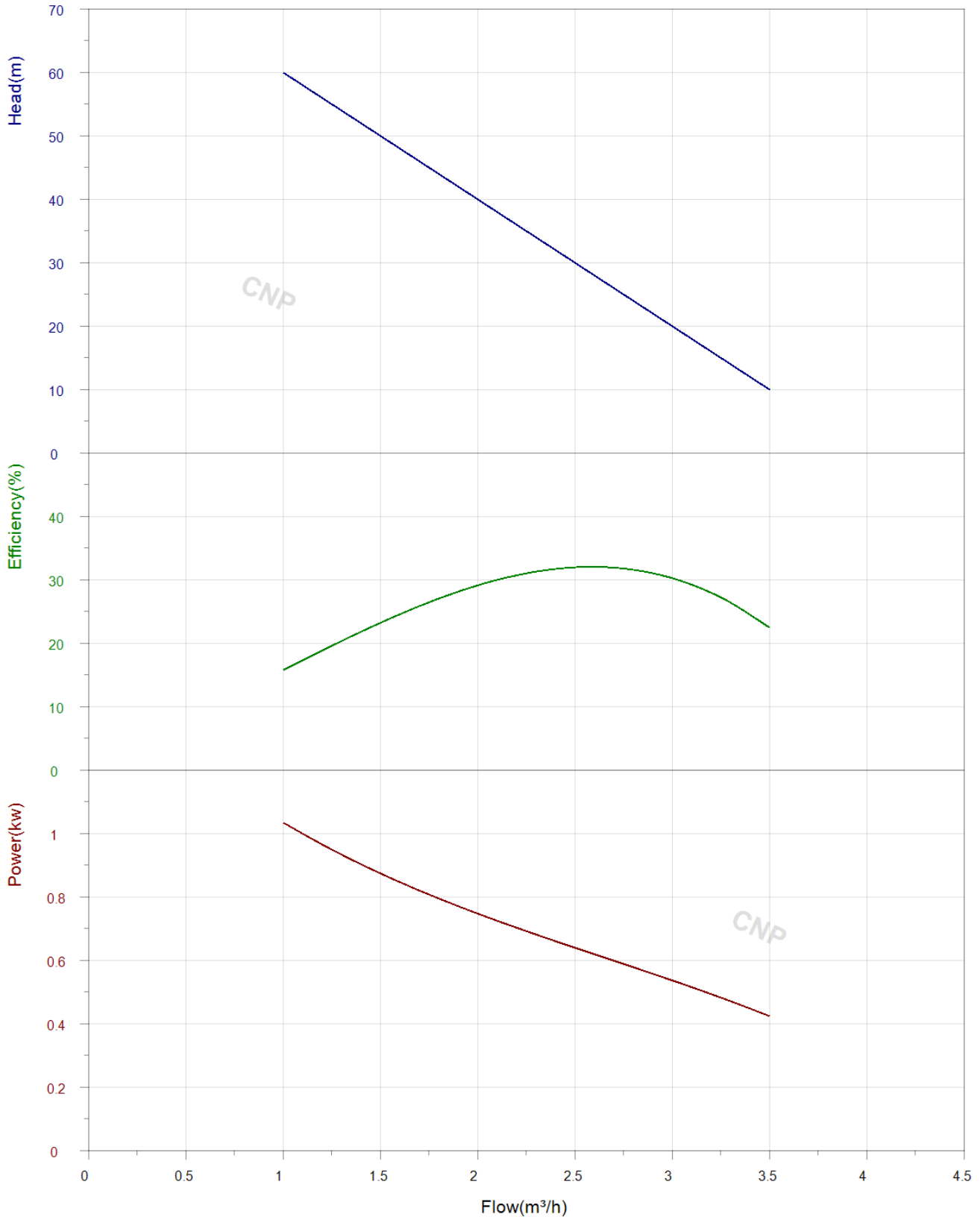


Performance Curve 25QYB-2

Manufacturer	CNP
Address	
Telephone	400-826-7722
Date	3/8/2022
Client Name	DPA
Client Addr.	
Contact Name	Alireza
Telephone	

Project Name	Demo
Item Number	001

Medium Name:Clear Water, Temperature:20,Density:1000kg/m³, Viscosity:1mm²/s



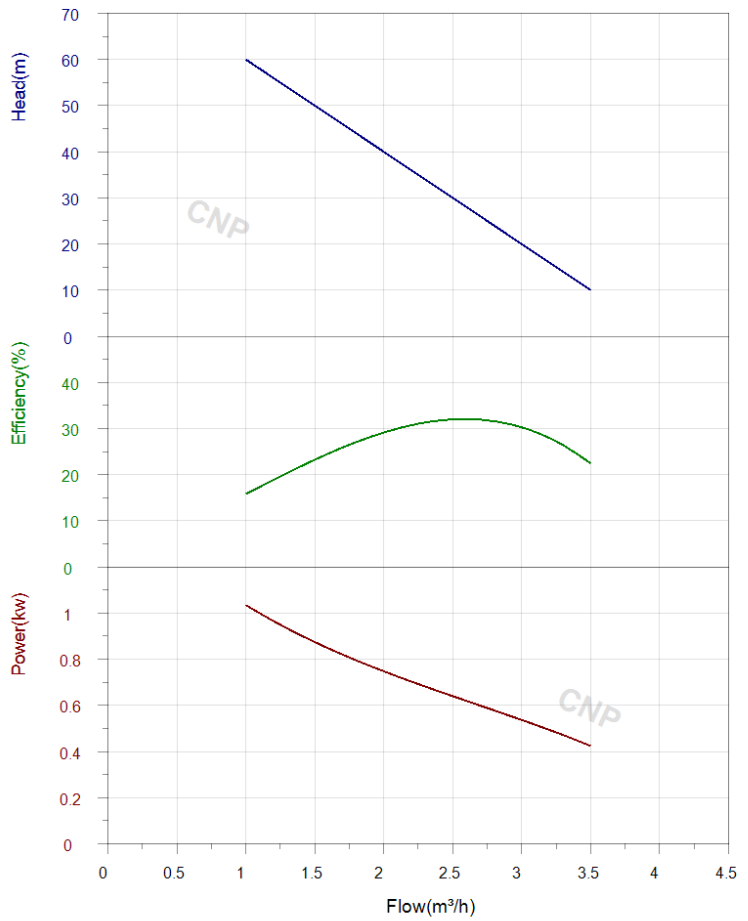



Technical parameters 25QYB-2

Manufacturer	CNP
Address	
Telephone	400-826-7722
Date	3/8/2022
Client Name	DPA
Client Addr.	
Contact Name	Alireza
Telephone	

Project Name	Demo
Item Number	001

Rated parameters	
Pump model	25QYB-2
Product No.	112102502090
Rated speed(r/min)	2900
Design point parameters	
Flow(m³/h)	
Head(m)	
Static head(m)	0
Operating point parameters	
Flow(m³/h)	
Head(m)	
Efficiency(%)	
Power(kW)	
Speed	
Impeller Diameter(mm)	72.80
Medium	
Medium Name	Clear Water
Working temperature(°C)	20
Medium density(kg/m³)	1000
Viscosity(mm²/s)	1



	Product information 25QYB-2	Manufacturer	CNP
		Address	
Project Name	Demo	Telephone	400-826-7722
		Date	3/8/2022
Item Number	001	Client Name	DPA
		Client Addr.	
		Contact Name	Alireza
		Telephone	

Description	Value
-------------	-------

General information

Product model	25QYB-2
Product No.	112102502090

Rated Paramter

Flow(m ³ /h)	2
Height(m)	40
Eff(%)	31.5
Power(kW)	0.69
NPSHr(m)	2
Impeller Dia(mm)	72.8
Speed(rpm)	2900

technology

Pump rotator speed	2900
Nameplate standards	CE

Material

Impeller	304
Pump cover	304
Pump body	304
Rubber code	E
Material Code	S

Installation

Gas-liquid Ratio	1
------------------	---

Medium

Maximum Environment Temperature:	+40
Liquid Temperature Range:	-15~+105

Structure dimension

Rotation Direction	Anti-clockwise rotation viewing from motor side
--------------------	---

Motor

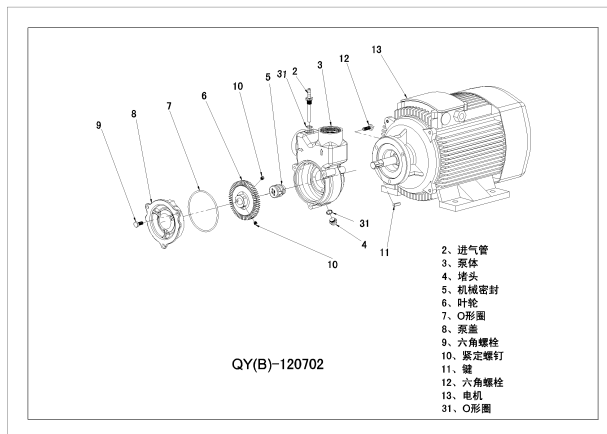
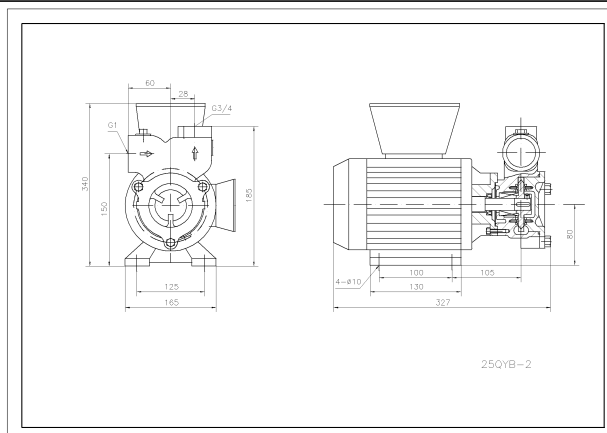
Number of Motor Phase	Three Phase
Protection Class	IP55
Insulation Class	F
Motor Power	1.1
Motor model	YE2
Power Frequency	50HZ
Rated Voltage (V)	380V
Rated Current (A)	4.4/2.5
Energy Efficiency Level	IE2

Seal

Mechanical Seal	QY-17/SSE4
-----------------	------------

Others

Weight (kg)	27
-------------	----

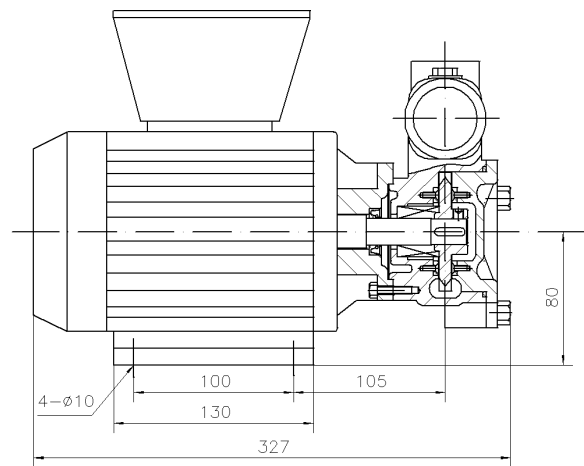
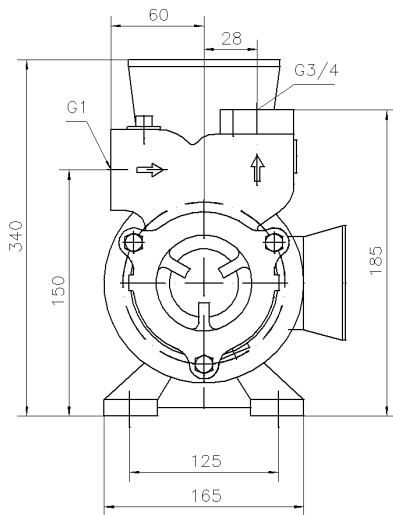




Dimensional Drawing 25QYB-2

Manufacturer	CNP
Address	
Telephone	400-826-7722
Date	3/8/2022
Client Name	DPA
Client Addr.	
Contact Name	Alireza
Telephone	

Project Name	Demo
Item Number	001



25QYB-2



Model Drawing
25QYB-2

Manufacturer	CNP
Address	
Telephone	400-826-7722
Date	3/8/2022
Client Name	DPA
Client Addr.	
Contact Name	Alireza
Telephone	

Project Name	Demo
Item Number	001

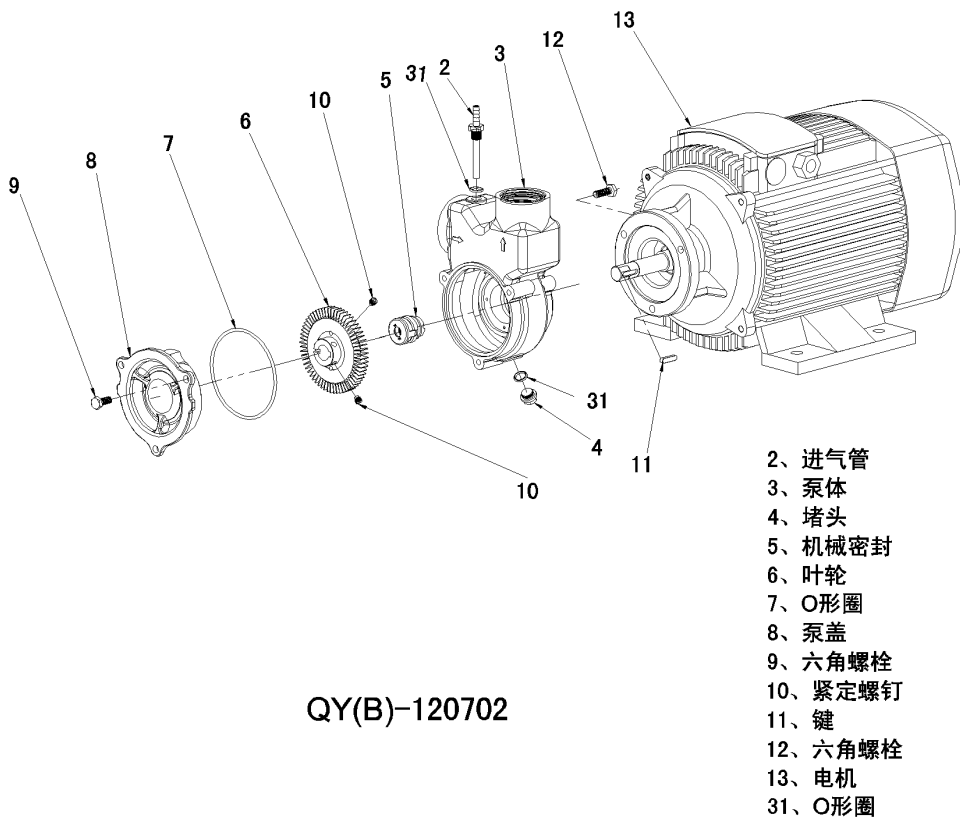




Structure Drawing 25QYB-2

Manufacturer	CNP
Address	
Telephone	400-826-7722
Date	3/8/2022
Client Name	DPA
Client Addr.	
Contact Name	Alireza
Telephone	

Project Name	Demo
Item Number	001





Order data
25QYB-2

Manufacturer	CNP
Address	
Telephone	400-826-7722
Date	3/8/2022
Client Name	DPA
Client Addr.	
Contact Name	Alireza
Telephone	

Project Name	Demo
Item Number	001

Pump model: 25QYB-2
Product No.: 112102502090
Product price:
Product quantity: 1

Total: inquiry: _____

Inquiry notes: