	Product Information 20QYL-1	Manufacturer	CNP
		Address	
		Telephone	400-826-7722
		Date	3/8/2022
		Client Name	DPA
Project Name	Demo	Client Addr.	
Item Number	001	Contact Name	Alireza
		Telephone	

Product No.:	112102001211
Series description:	

High efficiency; Low noise; Simple in struction and operation

Rated Paramter	
Flow(m ³ /h)	1
Height(m)	40
Eff(%)	29
Power(kW)	0.38
NPSHr(m)	2
Impeller Dia(mm)	70
Speed(rpm)	2900
technology	
Pump rotator speed	2900
Nameplate standards	CE
Material	
Impeller	304
Pump cover	304
Pump body	304
Rubber code	E
Material Code	S
Installation	
Gas-liquid Ratio	1
Medium	
Maximum Environment Temperature: +40	
Liquid Temperature Range: -15~+105	
Structure dimension	
Rotation Direction	Anti-clockwise rotation viewing from motor side
Motor	
Number of Motor Phase	Three Phase
Protection Class	IP55
Insulation Class	F
Motor Power	0.55
Motor model	YE2
Power Frequency	50HZ
Rated Voltage (V)	380V
Rated Current (A)	2.4/1.4
Energy Efficiency Level	IE2
Seal	
Mechanical Seal	QY-15/SSE4



Product Information
20QYL-1

Manufacturer	CNP
Address	
Telephone	400-826-7722
Date	3/8/2022
Client Name	DPA
Client Addr.	
Contact Name	Alireza
Telephone	

Project Name	Demo
Item Number	001

Seal:
Mechanical Seal QY-15/SSE4

Others
Weight (kg) 26

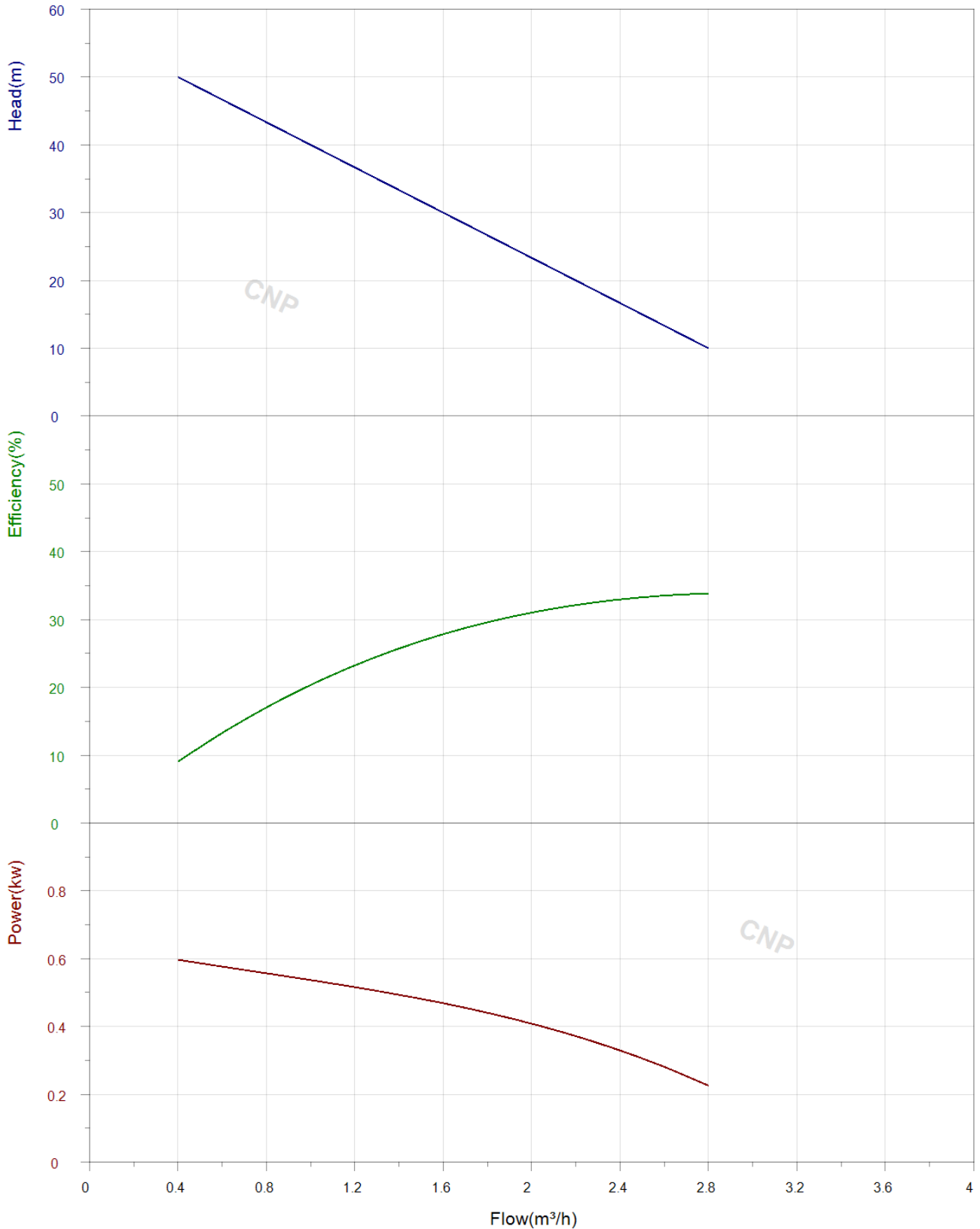


Performance Curve 20QYL-1

Manufacturer	CNP
Address	
Telephone	400-826-7722
Date	3/8/2022
Client Name	DPA
Client Addr.	
Contact Name	Alireza
Telephone	

Project Name	Demo
Item Number	001

Medium Name: Clear Water, Temperature: 20, Density: 1000kg/m³, Viscosity: 1mm²/s



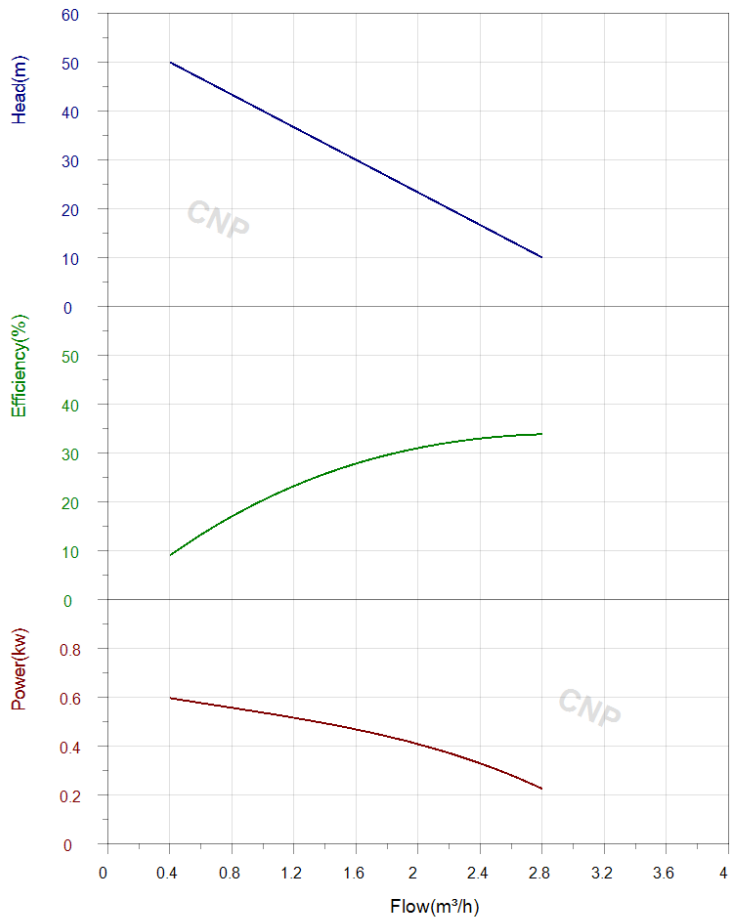



Technical parameters 20QYL-1

Manufacturer	CNP
Address	
Telephone	400-826-7722
Date	3/8/2022
Client Name	DPA
Client Addr.	
Contact Name	Alireza
Telephone	

Project Name	Demo
Item Number	001

Rated parameters	
Pump model	20QYL-1
Product No.	112102001211
Rated speed(r/min)	2900
Design point parameters	
Flow(m ³ /h)	
Head(m)	
Static head(m)	0
Operating point parameters	
Flow(m ³ /h)	
Head(m)	
Efficiency(%)	
Power(kW)	
Speed	
Impeller Diameter(mm)	70.00
Medium	
Medium Name	Clear Water
Working temperature(°C)	20
Medium density(kg/m ³)	1000
Viscosity(mm ² /s)	1



	Product information 20QYL-1	Manufacturer	CNP
		Address	
Project Name	Demo	Telephone	400-826-7722
		Date	3/8/2022
Item Number	001	Client Name	DPA
		Client Addr.	
		Contact Name	Alireza
		Telephone	

Description	Value
-------------	-------

General information

Product model	20QYL-1
Product No.	112102001211

Rated Paramter

Flow(m ³ /h)	1
Height(m)	40
Eff(%)	29
Power(kW)	0.38
NPSHr(m)	2
Impeller Dia(mm)	70
Speed(rpm)	2900

technology

Pump rotator speed	2900
Nameplate standards	CE

Material

Impeller	304
Pump cover	304
Pump body	304
Rubber code	E
Material Code	S

Installation

Gas-liquid Ratio	1
------------------	---

Medium

Maximum Environment Temperature:	+40
Liquid Temperature Range:	-15~+105

Structure dimension

Rotation Direction	Anti-clockwise rotation viewing from motor side
--------------------	---

Motor

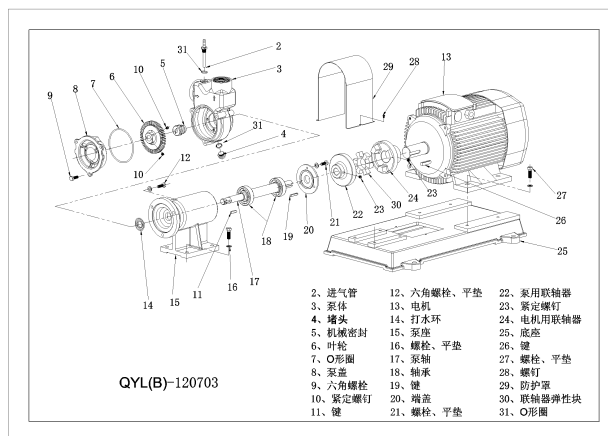
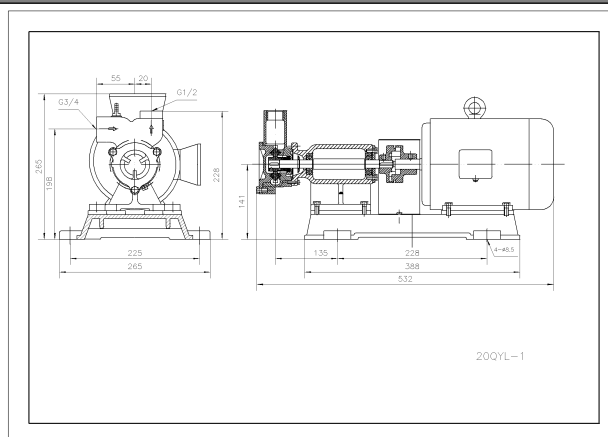
Number of Motor Phase	Three Phase
Protection Class	IP55
Insulation Class	F
Motor Power	0.55
Motor model	YE2
Power Frequency	50HZ
Rated Voltage (V)	380V
Rated Current (A)	2.4/1.4
Energy Efficiency Level	IE2

Seal

Mechanical Seal	QY-15/SSE4
-----------------	------------

Others

Weight (kg)	26
-------------	----

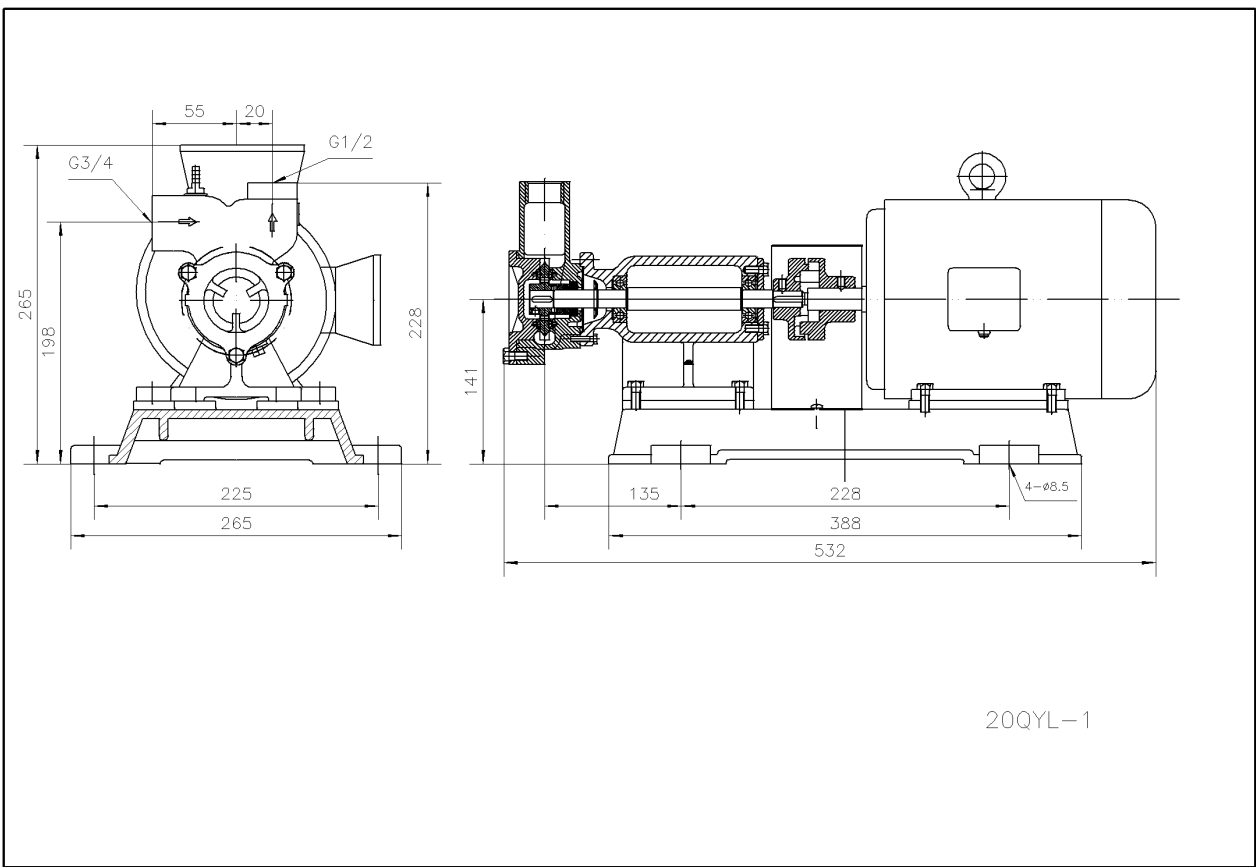




Dimensional Drawing 20QYL-1

Manufacturer	CNP
Address	
Telephone	400-826-7722
Date	3/8/2022
Client Name	DPA
Client Addr.	
Contact Name	Alireza
Telephone	

Project Name	Demo
Item Number	001





Model Drawing
20QYL-1

Manufacturer	CNP
Address	
Telephone	400-826-7722
Date	3/8/2022
Client Name	DPA
Client Addr.	
Contact Name	Alireza
Telephone	

Project Name

Demo

Item Number

001

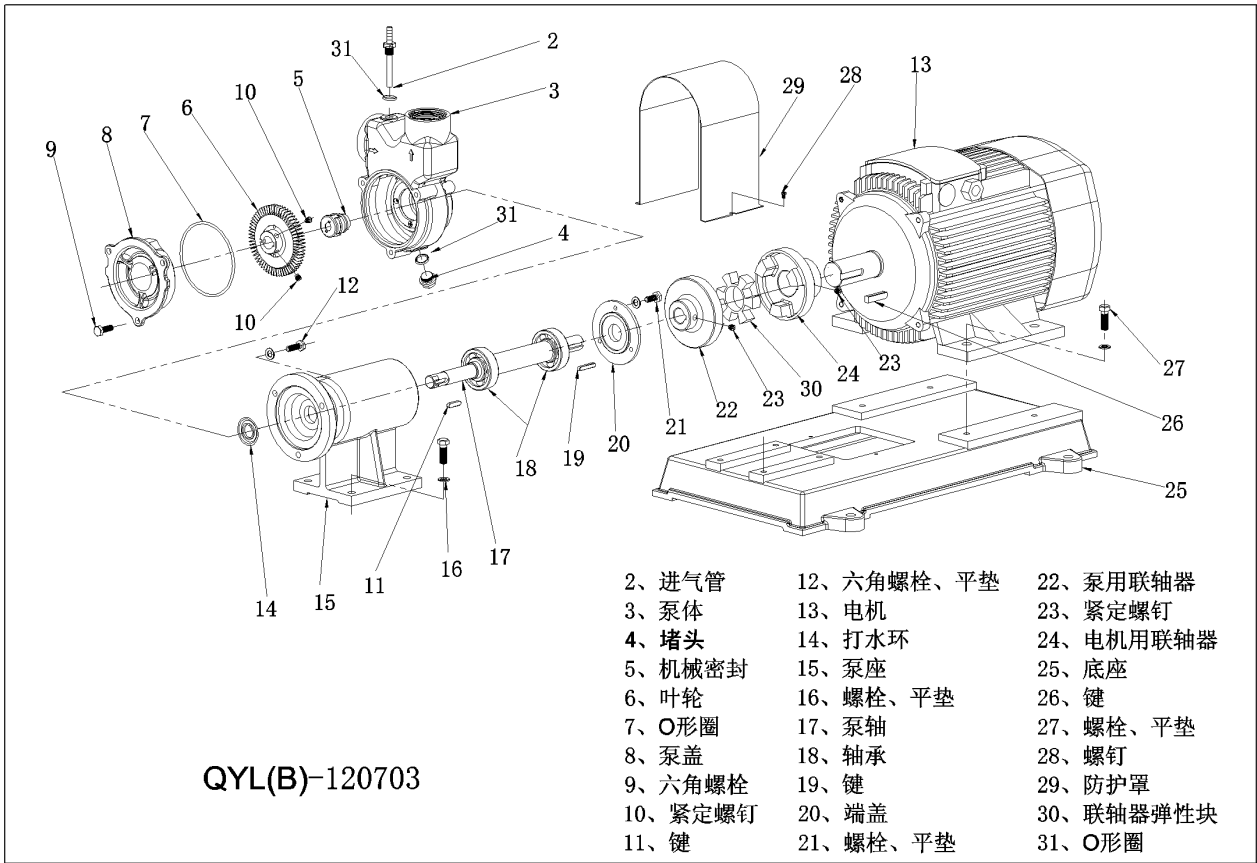




Structure Drawing 20QYL-1

Manufacturer	CNP
Address	
Telephone	400-826-7722
Date	3/8/2022
Client Name	DPA
Client Addr.	
Contact Name	Alireza
Telephone	

Project Name	Demo
Item Number	001





Order data
20QYL-1

Manufacturer	CNP
Address	
Telephone	400-826-7722
Date	3/8/2022
Client Name	DPA
Client Addr.	
Contact Name	Alireza
Telephone	

Project Name	Demo
Item Number	001

Pump model: 20QYL-1
Product No.: 112102001211
Product price:
Product quantity: 1

Total: inquiry: _____

Inquiry notes: