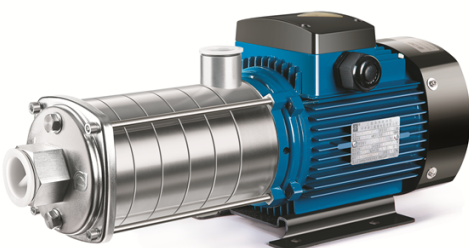
	Product Information CM20-3	Manufacturer	CNP
		Address	Yuhang District, Hangzhou, Zhejiang,
Project Name		Contact	86-571-88637351
		Date	2022/03/07
Item NO		Client Name	DPA
		Client Addr.	
		Contacts	Alireza
		Contact	

Part NO.	1100171367
----------	------------

Product Picture	Note
	<p>CM series are non-self-priming light horizontal multistage centrifugal pump with long shaft motor, compact structure, smaller size, axial inlet and radial outlet. Most parts adopt stamping technology. It's energy saving, environmental friendly, with beautiful appearance, light weight, low noise, convenient installation and maintenance, and high reliability.</p>

technology

Pump rotator speed 2900

Material

Impeller 304

Rubber code P

Material Code S

Installation

Connection Code L

Installation type horizontal

Maximum Operation Pressure 10Bar

Medium

Medium Temperature normal -15+70

Medium Temperature high t -15+105

Maximum Environment Temper 40

Structure dimension

Inlet & outlet size types G

Inlet & Outlet Diameter G2

Rotation Direction Clockwise

Motor

Number of Motor Phase Three Phase

Protection Class IP55

Insulation Class F

Motor Power 3

Energy Efficiency Level IE2

Seal

Mechanical Seal CM-20/B1SF4

Others

Weight (kg) 28.5



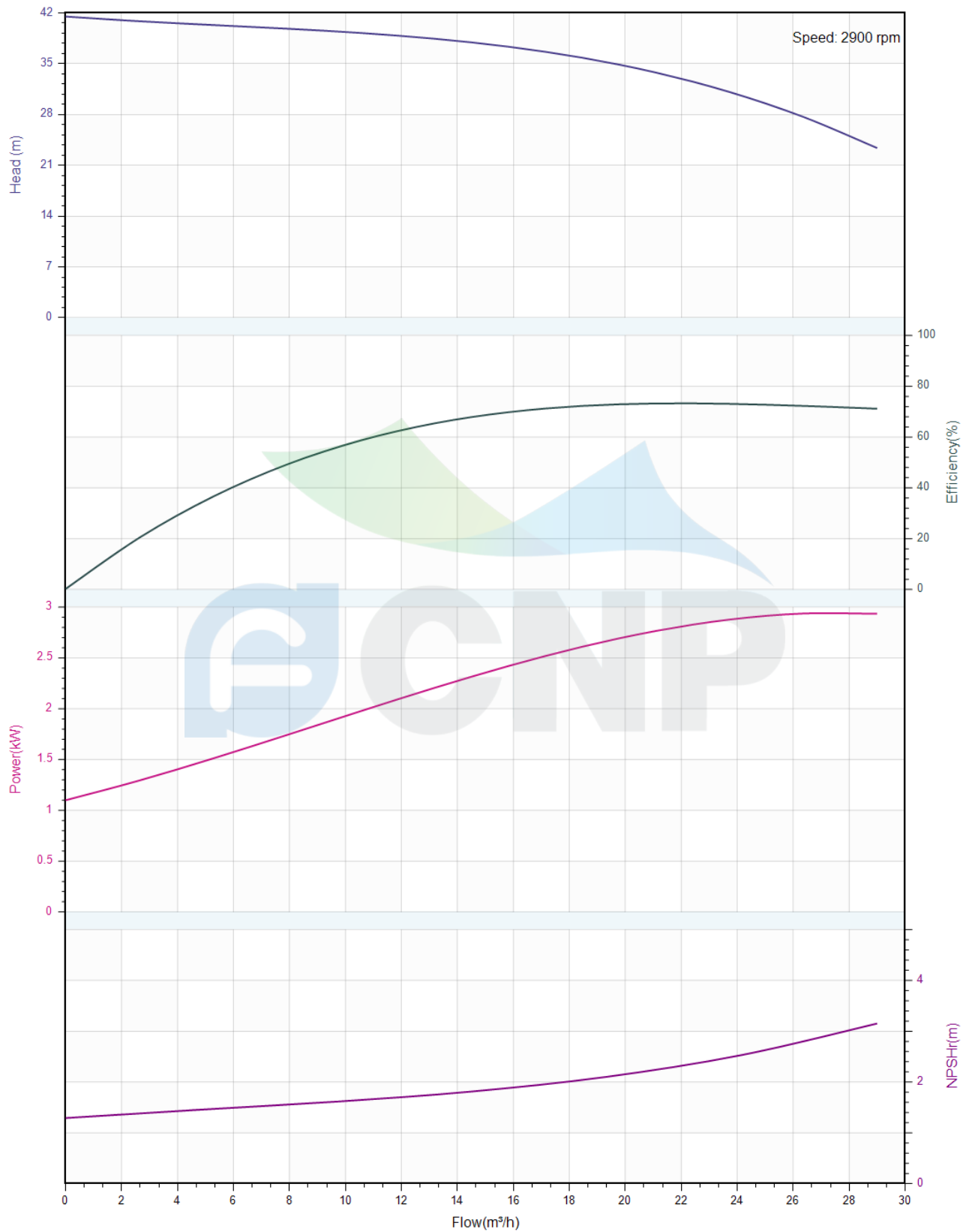
Performance Curve CM20-3

Manufacturer	CNP
Address	Yuhang District, Hangzhou, Zhejiang,
Contact	86-571-88637351
Date	2022/03/07
Client Name	DPA
Client Addr.	
Contacts	Alireza
Contact	

Project Name

Item NO

The hydraulic performance curve have been tested with Clean Water at 20°C, density 1000kg/m³, and at 1bar atmospheric pressure. ISO99062012 Grade 3B





Pump Technical Parameters CM20-3

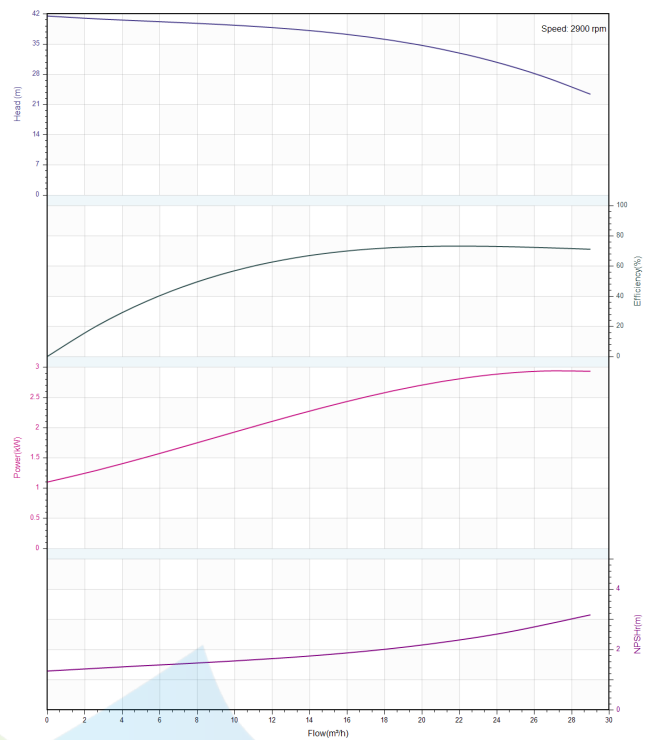
Manufacturer	CNP
Address	Yuhang District, Hangzhou, Zhejiang,
Contact	86-571-88637351
Date	2022/03/07
Client Name	DPA
Client Addr.	
Contacts	Alireza
Contact	

Rated parameters

Pump model	CM20-3
Part NO.	1100171367
Rated flow (m ³ /h)	20
Rated head (m)	35
Rated efficiency (%)	73
Power (kW)	2.61
NPSHr (m)	2.2
Speed (rpm)	2900
Max impeller diameter (mm)	105.5

Medium

Pumped medium	Clean Water
Working temperature (°C)	20
Medium density (kg/m ³)	1000
Viscosity (mm ² /s)	1



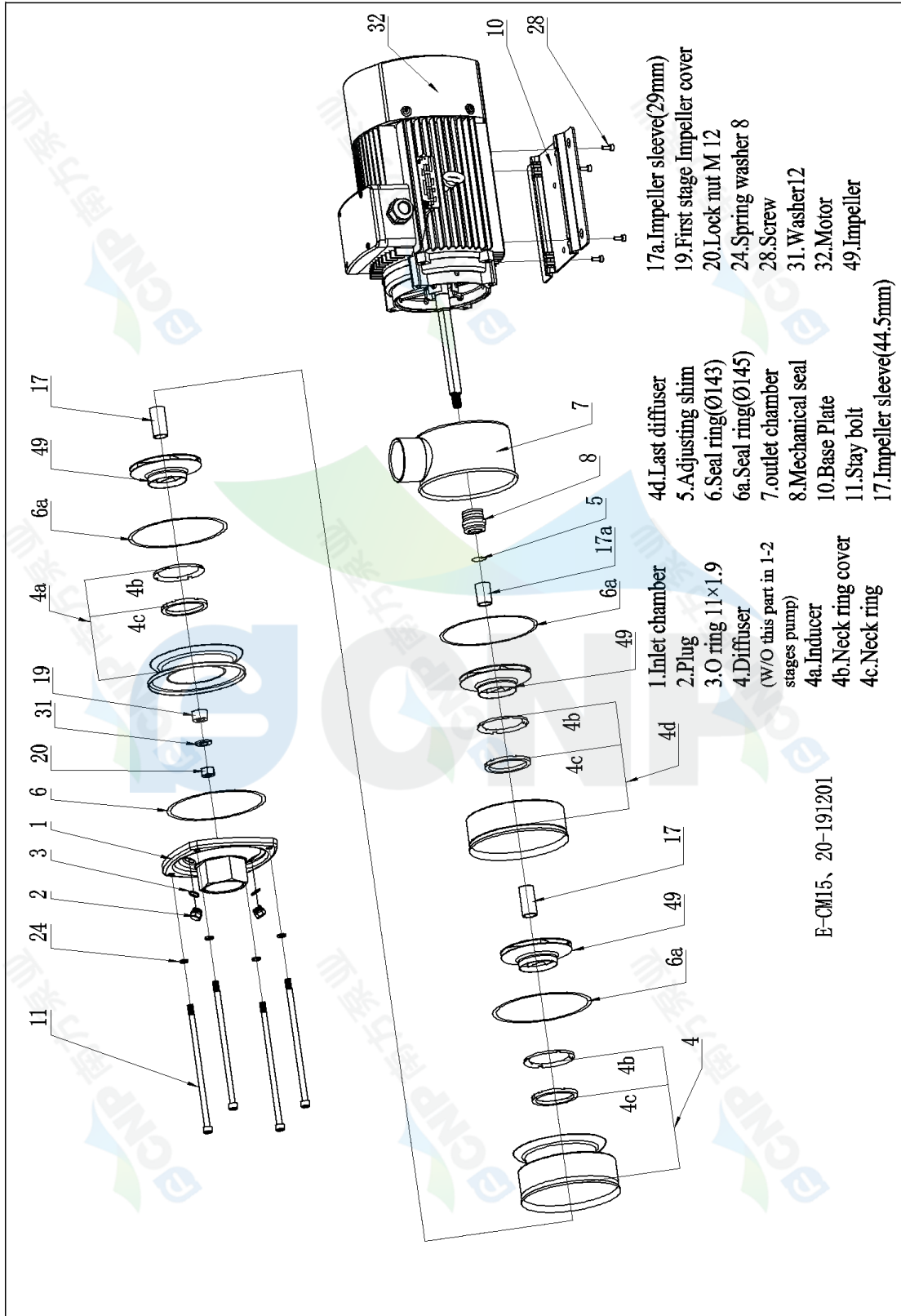


Structure picture
CM20-3

Manufacturer	CNP
Address	Yuhang District, Hangzhou, Zhejiang,
Contact	86-571-88637351
Date	2022/03/07
Client Name	DPA
Client Addr.	
Contacts	Alireza
Contact	

Project Name

Item NO



- 17a. Impeller sleeve(29mm)
- 19. First stage Impeller cover
- 20. Lock nut M 12
- 24. Spring washer 8
- 28. Screw
- 31. Washer12
- 32. Motor
- 49. Impeller
- 4d. Last diffuser
- 5. Adjusting shim
- 6. Seal ring(Ø143)
- 6a. Seal ring(Ø145)
- 7. outlet chamber
- 8. Mechanical seal
- 10. Base Plate
- 11. Stay bolt
- 17. Impeller sleeve(44.5mm)
- 1. Inlet chamber
- 2. Plug
- 3. O ring 11×1.9
- 4. Diffuser (w/O this part in 1-2 stages pump)
- 4a. Inducer
- 4b. Neck ring cover
- 4c. Neck ring

E-CM15、20-191201

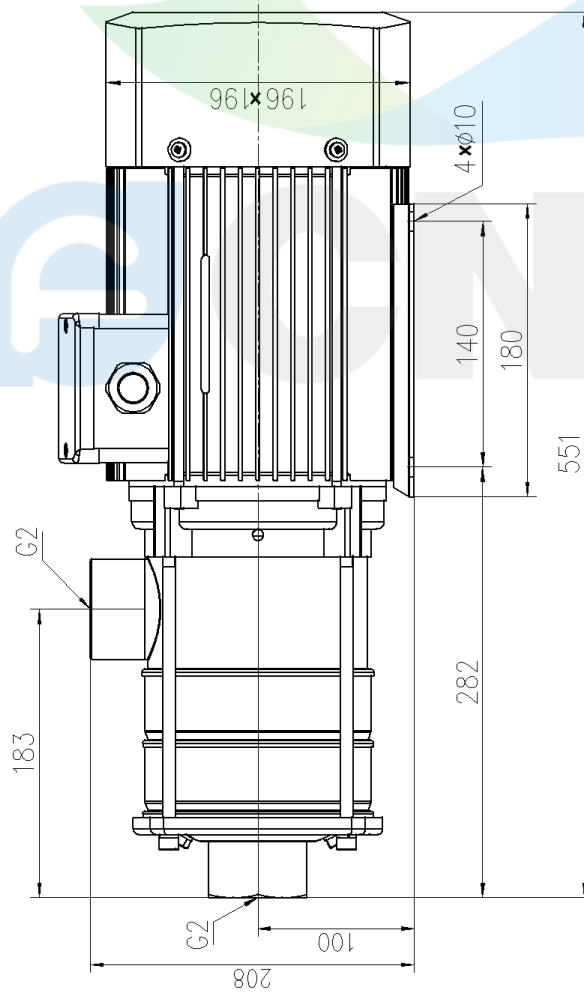
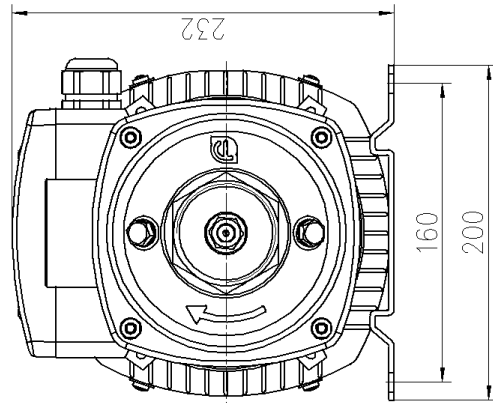


Dimension Drawing CM20-3

Manufacturer	CNP
Address	Yuhang District, Hangzhou, Zhejiang,
Contact	86-571-88637351
Date	2022/03/07
Client Name	DPA
Client Addr.	
Contacts	Alireza
Contact	

Project Name

Item NO



CM20-3