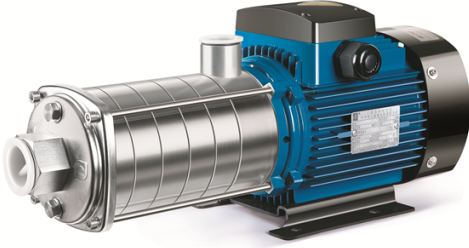
	<b>Product Information</b> <b>CM15-1</b>	Manufacturer	CNP
		Address	Yuhang District, Hangzhou, Zhejiang,
Project Name		Contact	86-571-88637351
		Date	2022/03/07
Item NO		Client Name	DPA
		Client Addr.	
		Contacts	Alireza
		Contact	

Part NO.	1100171361
----------	------------

Product Picture	Note
	<p>CM series are non-self-priming light horizontal multistage centrifugal pump with long shaft motor, compact structure, smaller size, axial inlet and radial outlet. Most parts adopt stamping technology. It's energy saving, environmental friendly, with beautiful appearance, light weight, low noise, convenient installation and maintenance, and high reliability.</p>

<b>technology</b>	
Pump rotator speed	2900
<b>Material</b>	
Impeller	304
Rubber code	P
Material Code	S
<b>Installation</b>	
Connection Code	L
Installation type	horizontal
Maximum Operation Pressure	10Bar
<b>Medium</b>	
Medium Temperature normal	-15+70
Medium Temperature high t	-15+105
Maximum Environment Temper	40
<b>Structure dimension</b>	
Inlet & outlet size types	G
Inlet & Outlet Diameter	G2
Rotation Direction	Clockwise
<b>Motor</b>	
Number of Motor Phase	Three Phase
Protection Class	IP55
Insulation Class	F
Motor Power	1.1
Energy Efficiency Level	IE2
<b>Seal</b>	
Mechanical Seal	CM-20/B1SF4
<b>Others</b>	
Weight (kg)	13.5



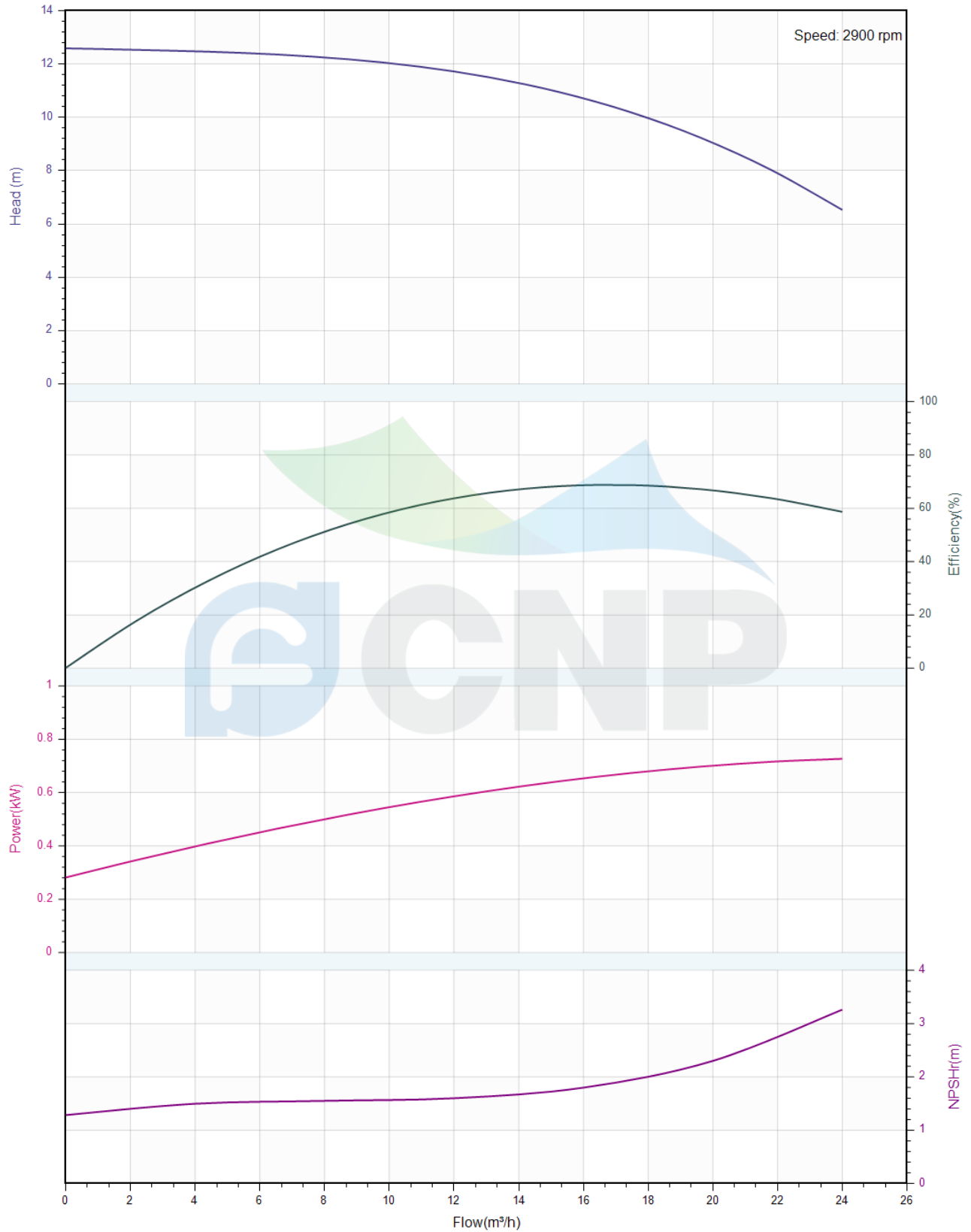
# Performance Curve CM15-1

Manufacturer	CNP
Address	Yuhang District, Hangzhou, Zhejiang,
Contact	86-571-88637351
Date	2022/03/07
Client Name	DPA
Client Addr.	
Contacts	Alireza
Contact	

Project Name

Item NO

The hydraulic performance curve have been tested with Clean Water at 20°C, density 1000kg/m<sup>3</sup>, and at 1bar atmospheric pressure. ISO99062012 Grade 3B





## Pump Technical Parameters CM15-1

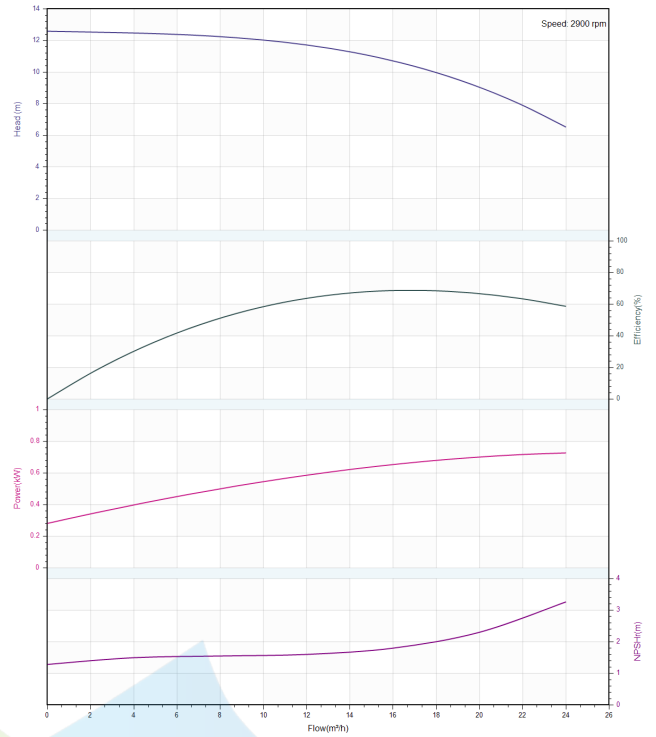
Manufacturer	CNP
Address	Yuhang District, Hangzhou, Zhejiang,
Contact	86-571-88637351
Date	2022/03/07
Client Name	DPA
Client Addr.	
Contacts	Alireza
Contact	

### Rated parameters

Pump model	CM15-1
Part NO.	1100171361
Rated flow (m <sup>3</sup> /h)	15
Rated head (m)	11
Rated efficiency (%)	70
Power (kW)	0.642
NPSHr (m)	1.8
Speed (rpm)	2900
Max impeller diameter (mm)	105.2

### Medium

Pumped medium	Clean Water
Working temperature (°C)	20
Medium density (kg/m <sup>3</sup> )	1000
Viscosity (mm <sup>2</sup> /s)	1



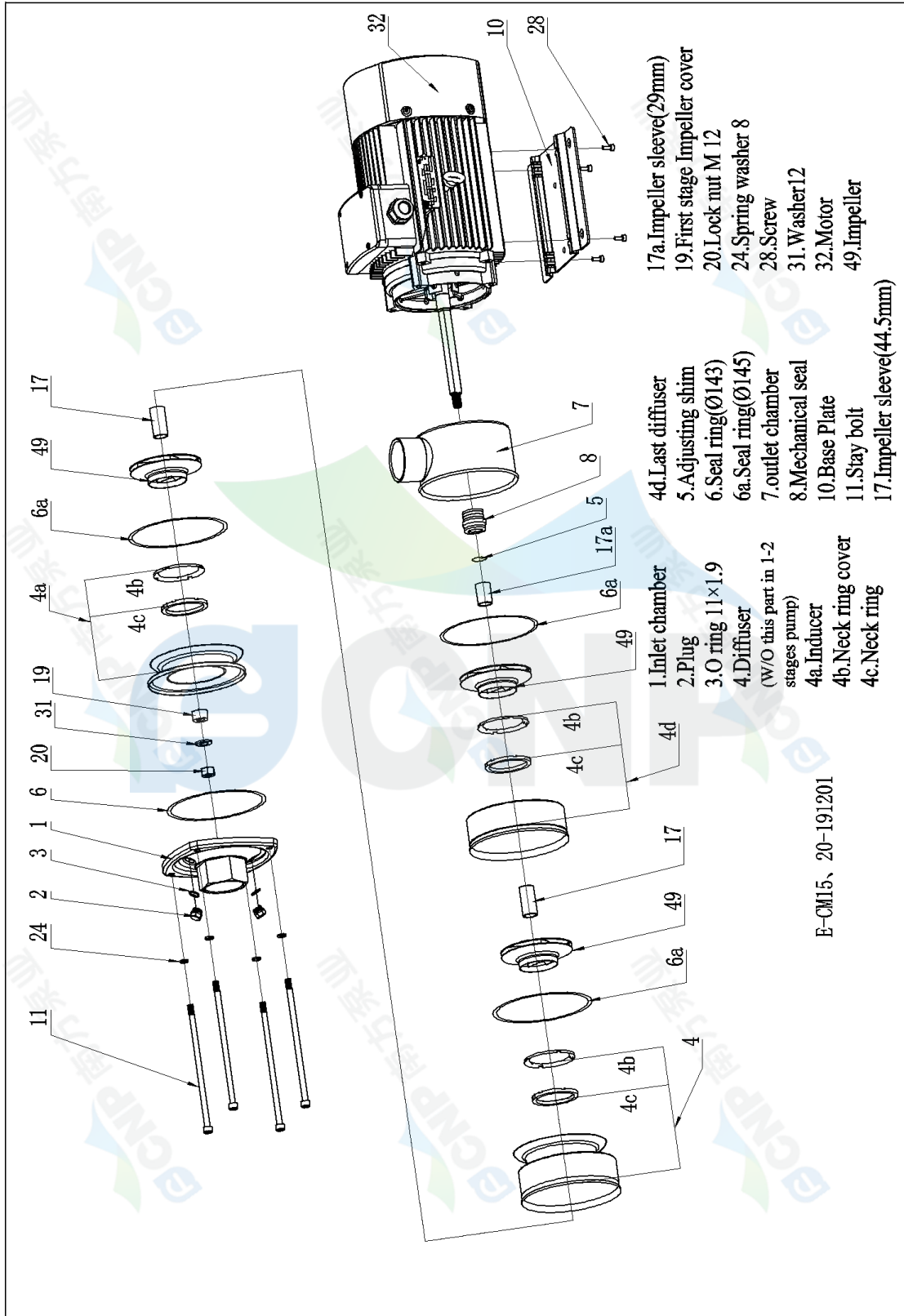


## Structure picture CM15-1

Manufacturer	CNP
Address	Yuhang District, Hangzhou, Zhejiang,
Contact	86-571-88637351
Date	2022/03/07
Client Name	DPA
Client Addr.	
Contacts	Alireza
Contact	

Project Name

Item NO



- 17a. Impeller sleeve(29mm)
- 19. First stage Impeller cover
- 20. Lock nut M 12
- 24. Spring washer 8
- 28. Screw
- 31. Washer12
- 32. Motor
- 49. Impeller
- 4d. Last diffuser
- 5. Adjusting shim
- 6. Seal ring(Ø143)
- 6a. Seal ring(Ø145)
- 7. outlet chamber
- 8. Mechanical seal
- 10. Base Plate
- 11. Stay bolt
- 17. Impeller sleeve(44.5mm)
- 1. Inlet chamber
- 2. Plug
- 3. O ring 11×1.9
- 4. Diffuser (w/O this part in 1-2 stages pump)
- 4a. Inducer
- 4b. Neck ring cover
- 4c. Neck ring

E-CM15、20-191201

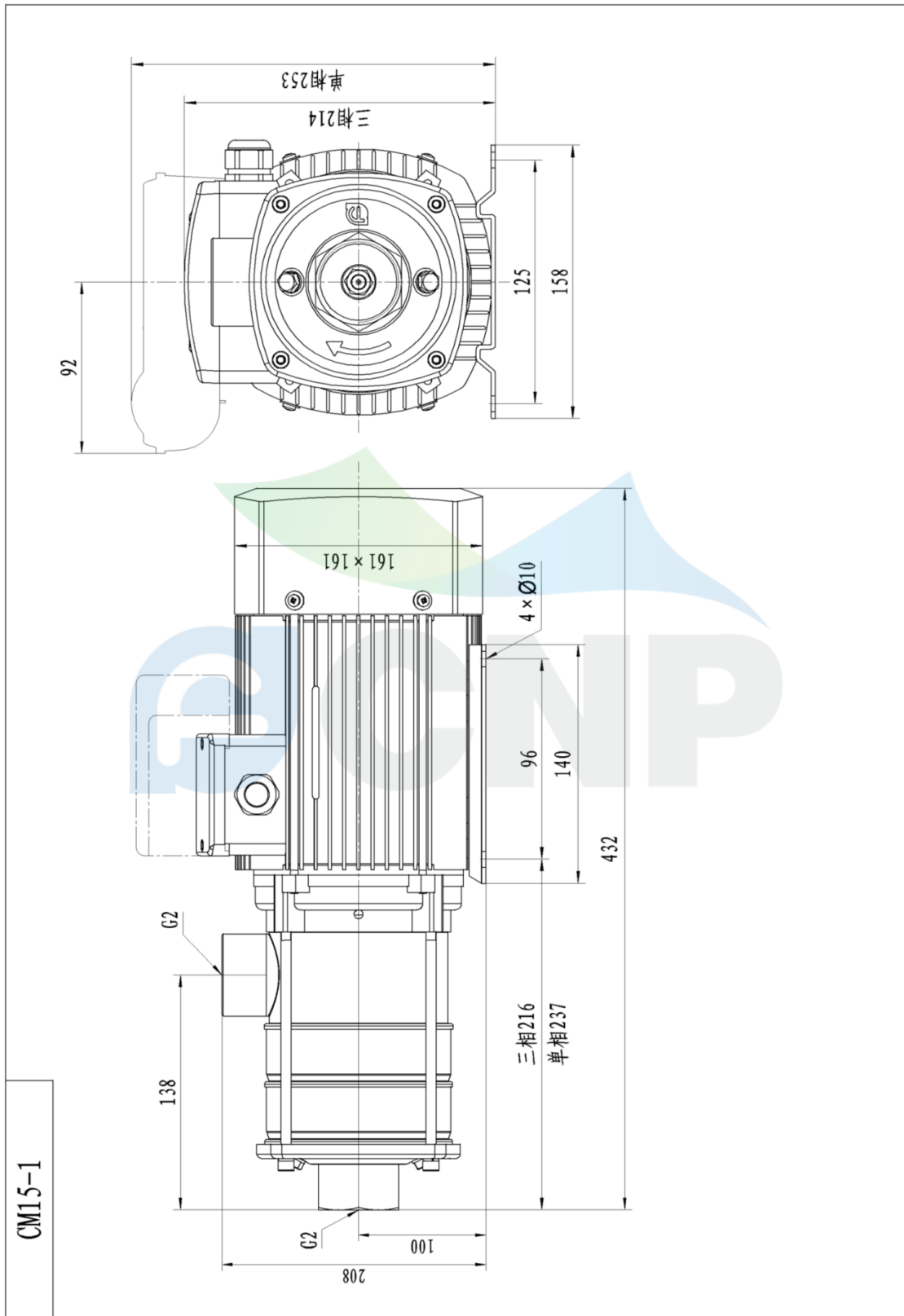


### Dimension Drawing CM15-1

Manufacturer	CNP
Address	Yuhang District, Hangzhou, Zhejiang,
Contact	86-571-88637351
Date	2022/03/07
Client Name	DPA
Client Addr.	
Contacts	Alireza
Contact	

Project Name

Item NO



CM15-1