
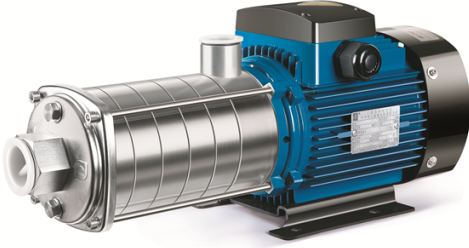


| | | | |
|--|--|--------------|--------------------------------------|
|  | Product Information CL2-6 | Manufacturer | CNP |
| | | Address | Yuhang District, Hangzhou, Zhejiang, |
| Project Name | | Contact | 86-571-88637351 |
| | | Date | 2022/03/07 |
| Item NO | | Client Name | DPA |
| | | Client Addr. | |
| | | Contacts | Alireza |
| | | Contact | |

| | |
|----------|------------|
| Part NO. | 1100154188 |
|----------|------------|

| Product Picture | Note |
|---|---|
|  | <p>CL series pump is non-self-priming light horizontal multistage centrifugal pump for chillers. It effectively solves the failure of mechanical seal dry friction caused by insufficient water intake, aiming at the condition of insufficient water intake. The compact structure makes for small pump size, with axial inlet and radial outlet. It's energy saving, environmental friendly, with beautiful appearance, light weight, low noise, convenient installation and maintenance, and high reliability.</p> |

| | |
|----------------------------|-------------|
| technology | |
| Pump rotator speed | 2900 |
| Material | |
| Impeller | 304 |
| Rubber code | P |
| Material Code | S |
| Installation | |
| Connection Code | L |
| Installation type | horizontal |
| Maximum Operation Pressure | 10Bar |
| Medium | |
| Medium Temperature | -15+70 |
| Maximum Environment Temper | 40 |
| Structure dimension | |
| Inlet & outlet size types | G |
| Inlet & Outlet Diameter | G1 |
| Rotation Direction | Clockwise |
| Motor | |
| Number of Motor Phase | Three Phase |
| Protection Class | IP55 |
| Insulation Class | F |
| Motor Power | 0.75 |
| Energy Efficiency Level | IE2 |
| Seal | |
| Mechanical Seal | CM-16/BSF4 |
| Others | |
| Weight (kg) | 11 |



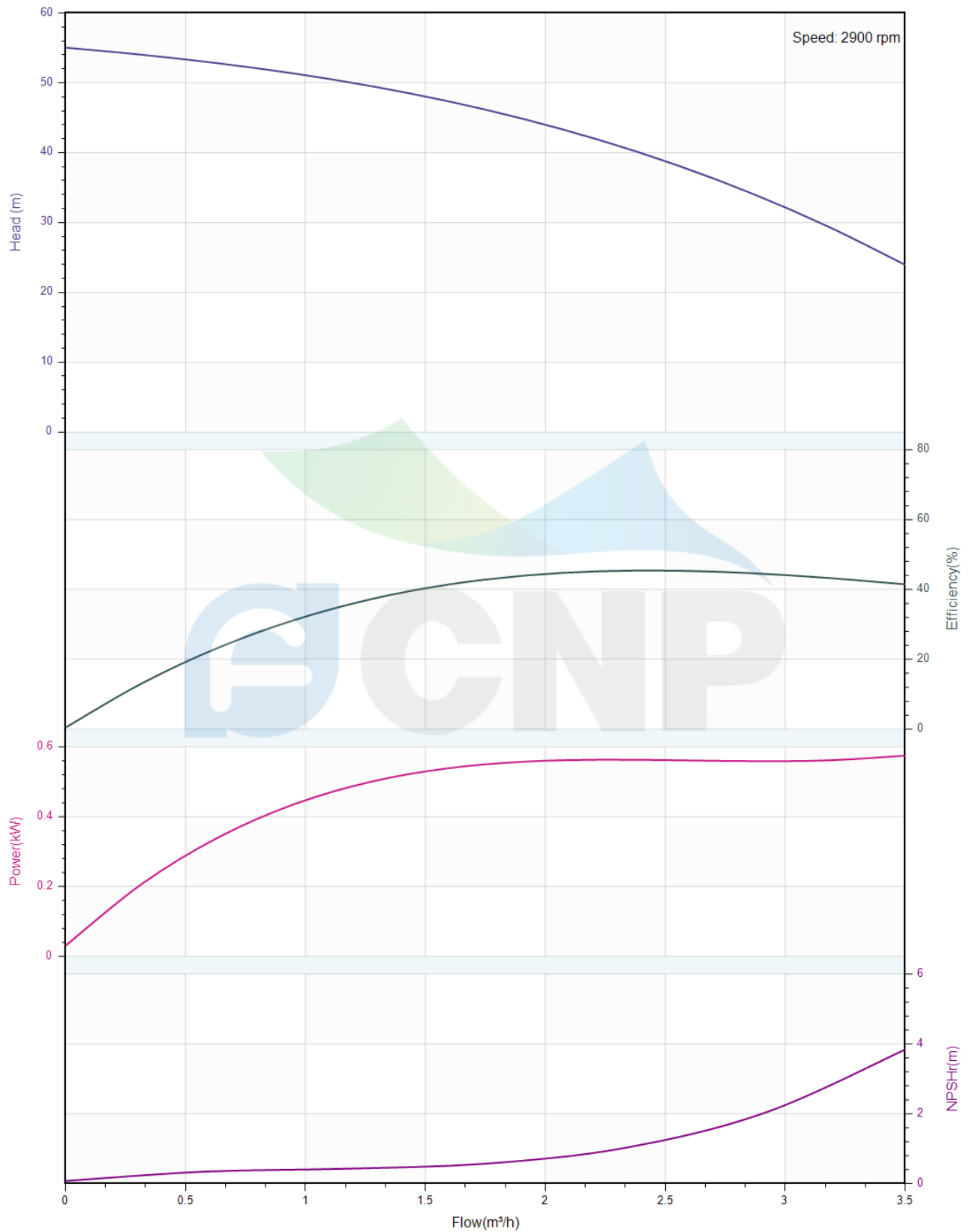
Performance Curve CL2-6

| | |
|--------------|--------------------------------------|
| Manufacturer | CNP |
| Address | Yuhang District, Hangzhou, Zhejiang, |
| Contact | 86-571-88637351 |
| Date | 2022/03/07 |
| Client Name | DPA |
| Client Addr. | |
| Contacts | Alireza |
| Contact | |

Project Name

Item NO

The hydraulic performance curve have been tested with Clean Water at 20°C, density 1000kg/m³, and at 1bar atmospheric pressure. ISO99062012 Grade 3B





Pump Technical Parameters CL2-6

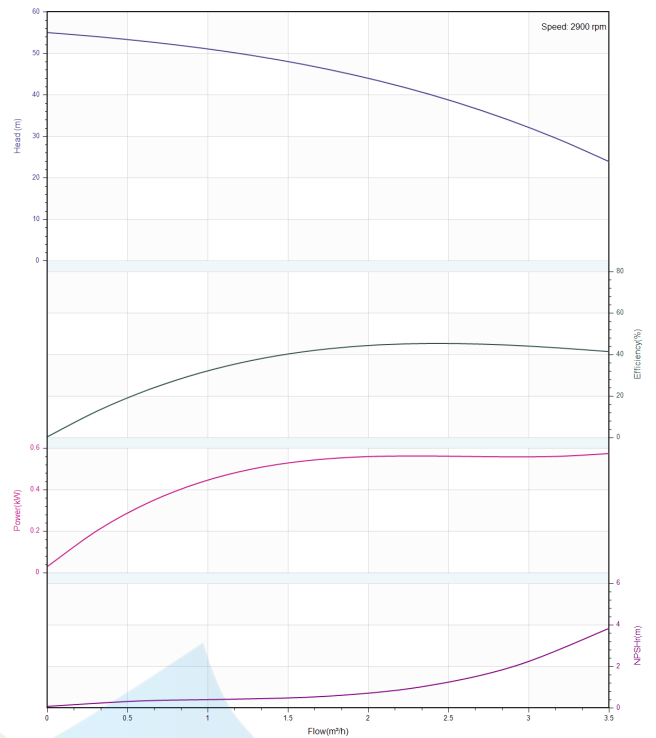
| | |
|--------------|--------------------------------------|
| Manufacturer | CNP |
| Address | Yuhang District, Hangzhou, Zhejiang, |
| Contact | 86-571-88637351 |
| Date | 2022/03/07 |
| Client Name | DPA |
| Client Addr. | |
| Contacts | Alireza |
| Contact | |


Rated parameters

| | |
|--------------------------------|------------|
| Pump model | CL2-6 |
| Part NO. | 1100154188 |
| Rated flow (m ³ /h) | 2 |
| Rated head (m) | 44 |
| Rated efficiency (%) | 46 |
| Power (kW) | 0.521 |
| NPSHr (m) | 2 |
| Speed (rpm) | 2900 |
| Max impeller diameter (mm) | 90 |

Medium

| | |
|-------------------------------------|-------------|
| Pumped medium | Clean Water |
| Working temperature (°C) | 20 |
| Medium density (kg/m ³) | 1000 |
| Viscosity (mm ² /s) | 1 |



| | | | |
|--|--|--------------|--------------------------------------|
|  | Structure picture CL2-6 | Manufacturer | CNP |
| | | Address | Yuhang District, Hangzhou, Zhejiang, |
| Project Name | | Contact | 86-571-88637351 |
| | | Date | 2022/03/07 |
| | | Client Name | DPA |
| Item NO | | Client Addr. | |
| | | Contacts | Alireza |
| | | Contact | |

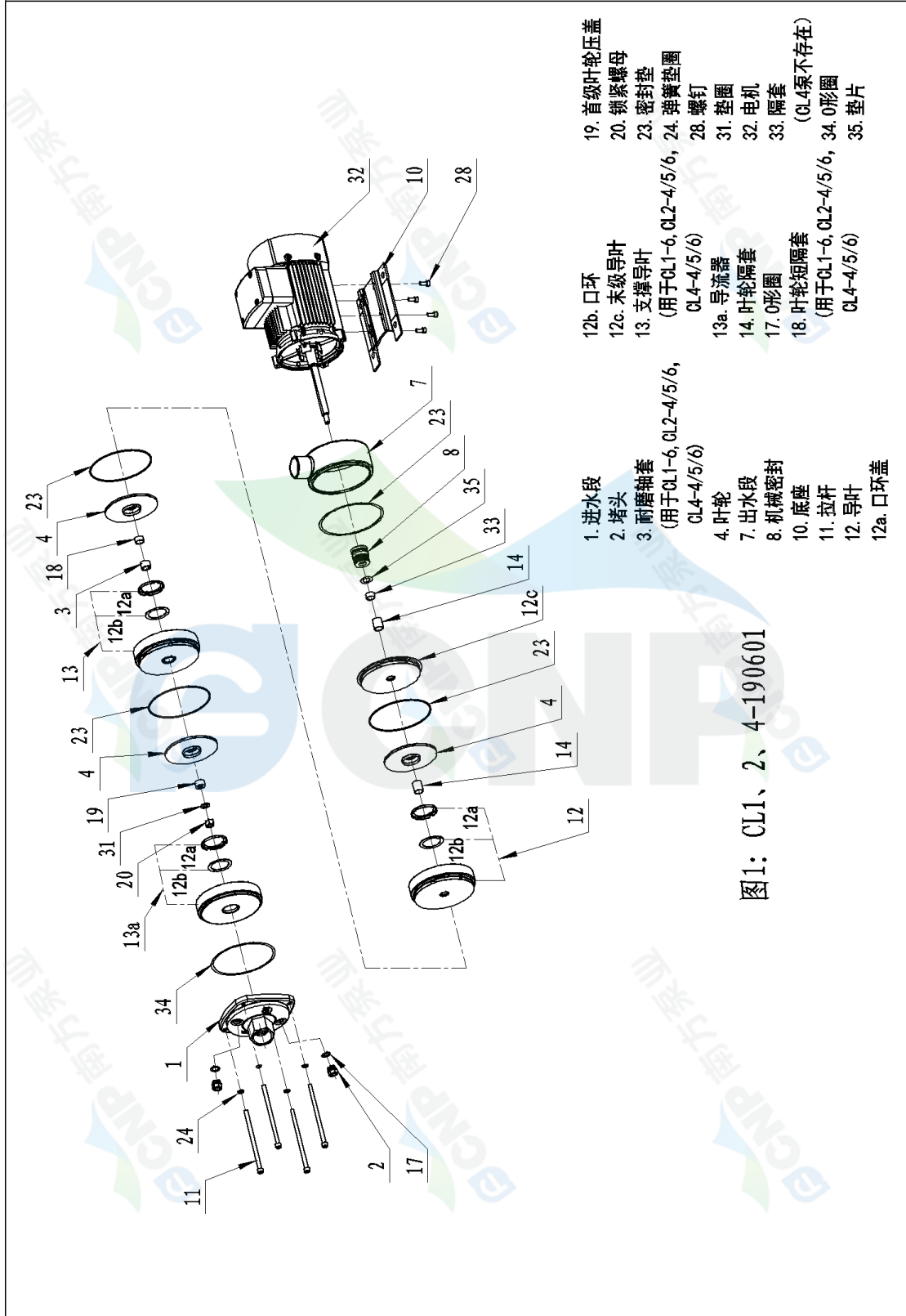


图1: CL1、2、4-190601

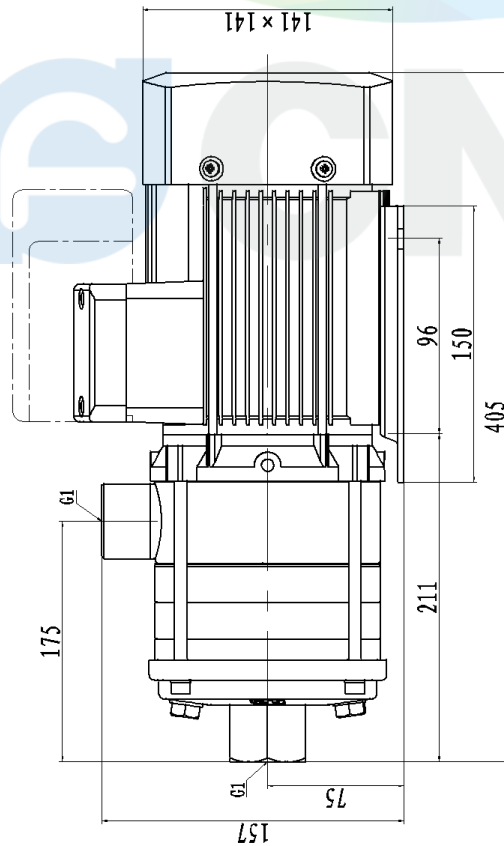
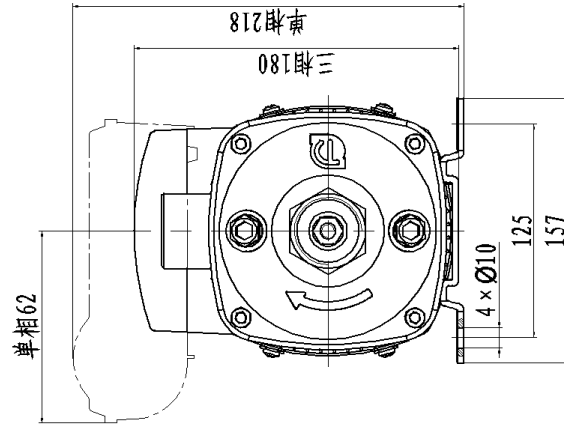


Dimension Drawing CL2-6

| | |
|--------------|--------------------------------------|
| Manufacturer | CNP |
| Address | Yuhang District, Hangzhou, Zhejiang, |
| Contact | 86-571-88637351 |
| Date | 2022/03/07 |
| Client Name | DPA |
| Client Addr. | |
| Contacts | Alireza |
| Contact | |

Project Name

Item NO



CL2-6