
	<b>Product Information</b> <b>CHM8-3</b>	Manufacturer	CNP
		Address	Yuhang District, Hangzhou, Zhejiang,
<b>Project Name</b>		Contact	86-571-88637351
		Date	2022/03/07
		Client Name	DPA
<b>Item NO</b>		Client Addr.	
		Contacts	Alireza
		Contact	

Part NO.	1100082715
----------	------------

Product Picture	Note
	<p>Non-self-priming horizontal multistage centrifugal pump. The impeller guide vane is made of stainless steel plate stamping and welding. Equipped with long shaft motor, axial inlet and radial outlet.</p>

<b>technology</b>	
Pump rotator speed	2900
<b>Material</b>	
Impeller	304
Rubber code	F
Material Code	S
<b>Installation</b>	
Connection Code	L
Installation type	horizontal
Maximum Operation Pressure	10Bar
<b>Medium</b>	
Medium Temperature normal	-15+70
Medium Temperature high t	-15+105
Maximum Environment Temper	40
<b>Structure dimension</b>	
Inlet & outlet size types	G
Inlet & Outlet Diameter	G1½/G1½
Rotation Direction	Clockwise
<b>Motor</b>	
Number of Motor Phase	Three Phase
Protection Class	IP55
Insulation Class	F
Motor Power	1.1
Energy Efficiency Level	IE2
<b>Seal</b>	
Mechanical Seal	CHM-19/SB1F4
<b>Others</b>	
Weight (kg)	17



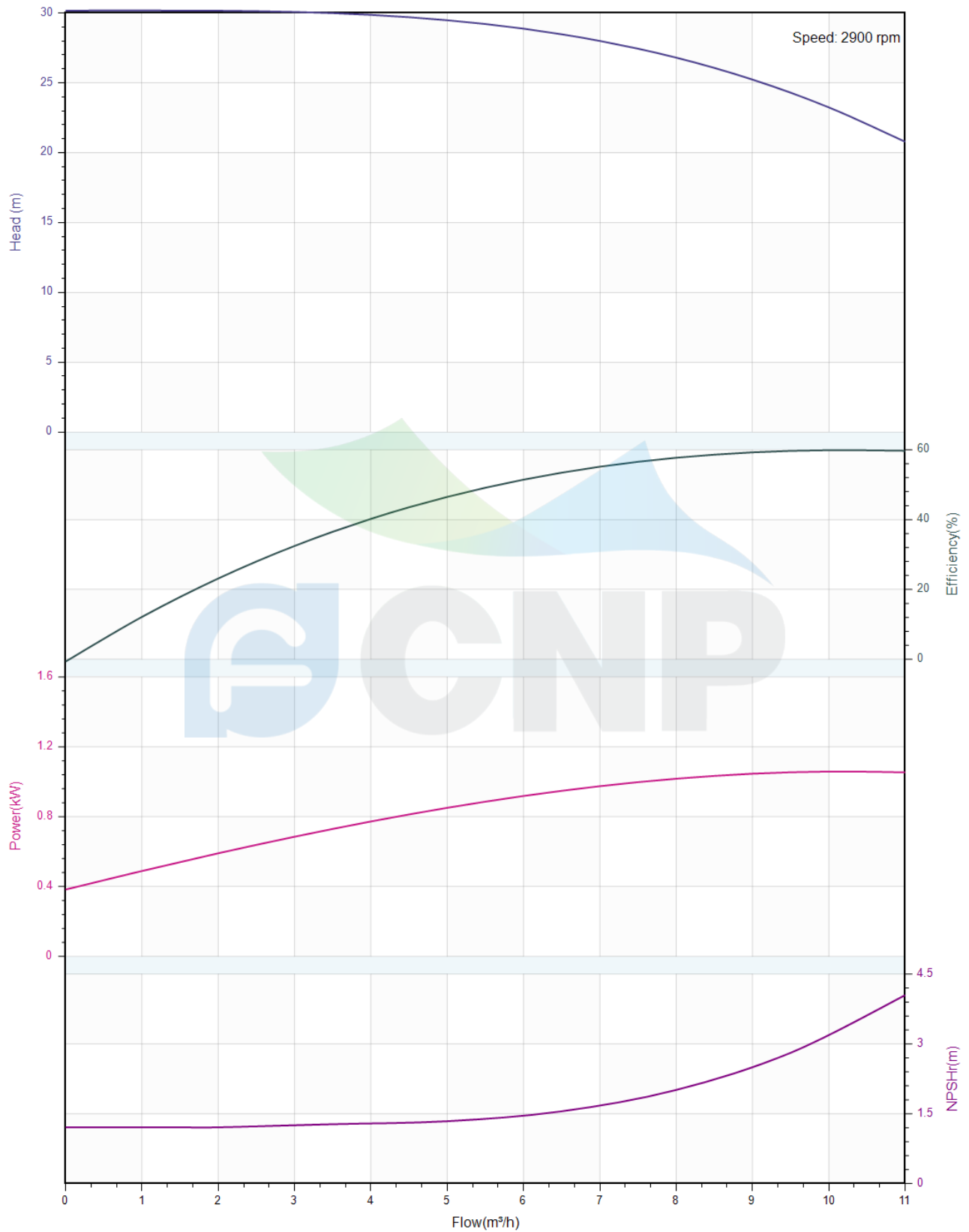
# Performance Curve CHM8-3

Manufacturer	CNP
Address	Yuhang District, Hangzhou, Zhejiang,
Contact	86-571-88637351
Date	2022/03/07
Client Name	DPA
Client Addr.	
Contacts	Alireza
Contact	

Project Name

Item NO

The hydraulic performance curve have been tested with Clean Water at 20°C, density 1000kg/m<sup>3</sup>, and at 1bar atmospheric pressure. ISO99062012 Grade 3B





## Pump Technical Parameters CHM8-3

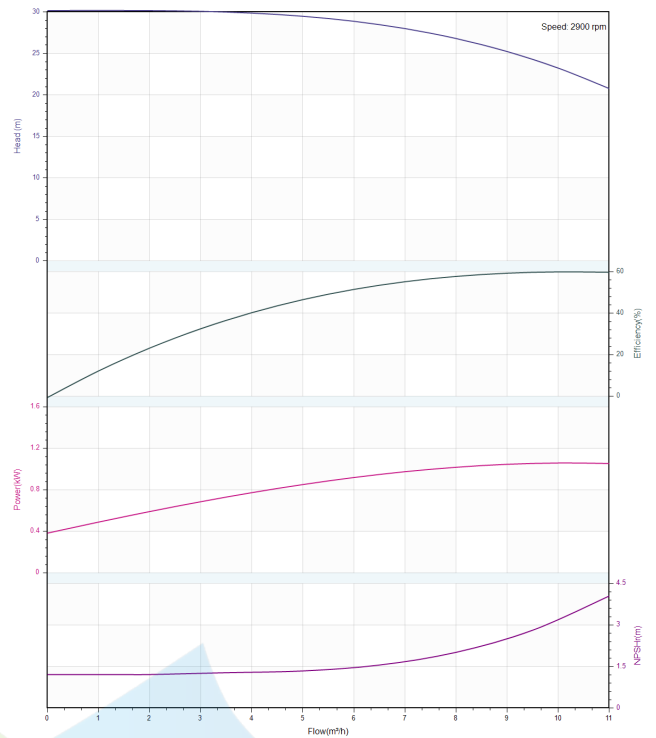
Manufacturer	CNP
Address	Yuhang District, Hangzhou, Zhejiang,
Contact	86-571-88637351
Date	2022/03/07
Client Name	DPA
Client Addr.	
Contacts	Alireza
Contact	


### Rated parameters

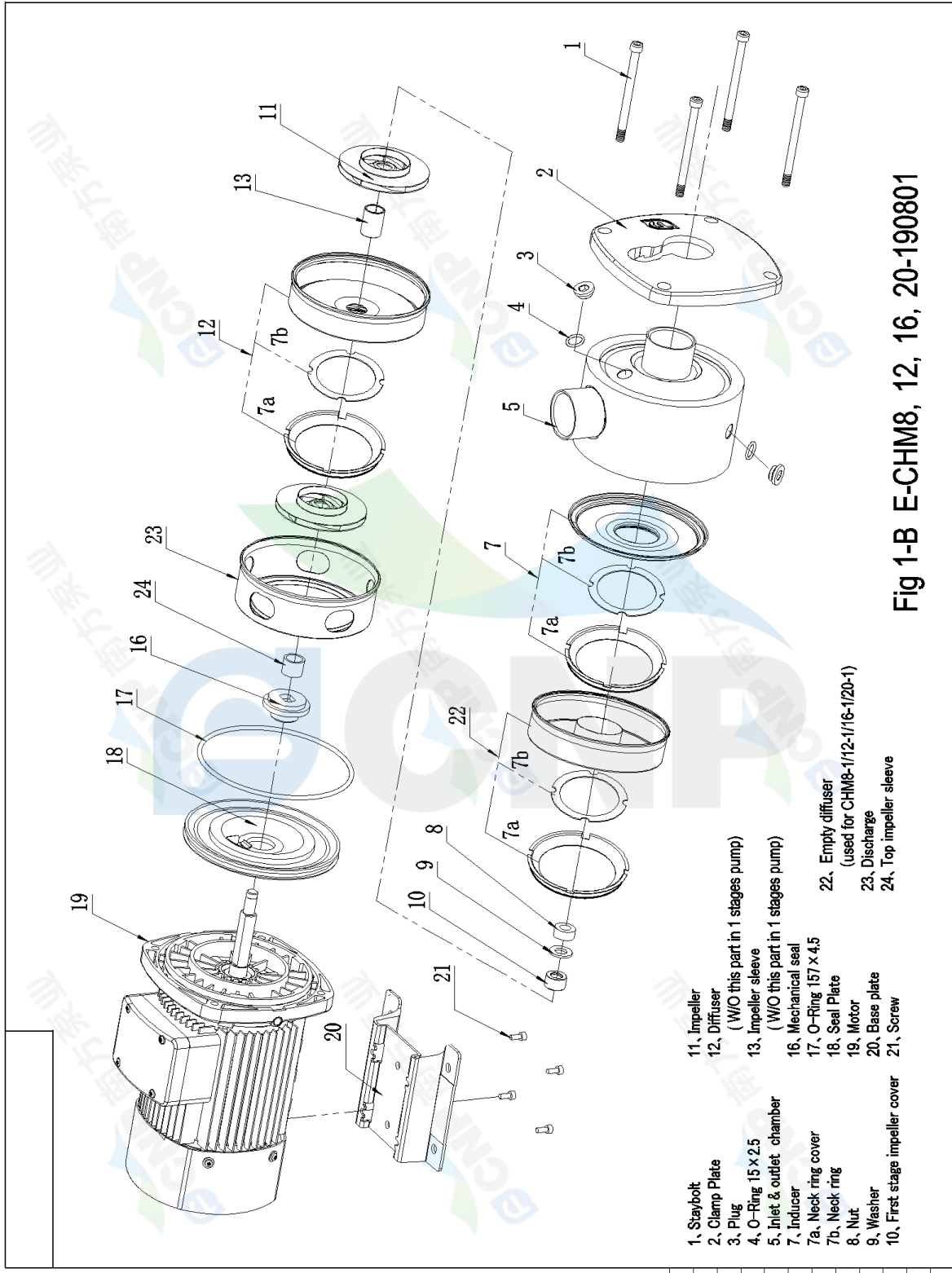
Pump model	CHM8-3
Part NO.	1100082715
Rated flow (m <sup>3</sup> /h)	8
Rated head (m)	27
Rated efficiency (%)	57
Power (kW)	1.033
NPSHr (m)	2
Speed (rpm)	2900
Max impeller diameter (mm)	96.5

### Medium

Pumped medium	Clean Water
Working temperature (°C)	20
Medium density (kg/m <sup>3</sup> )	1000
Viscosity (mm <sup>2</sup> /s)	1



	<b>Structure picture</b> <b>CHM8-3</b>	Manufacturer	CNP
		Address	Yuhang District, Hangzhou, Zhejiang,
Project Name		Contact	86-571-88637351
		Date	2022/03/07
Item NO		Client Name	DPA
		Client Addr.	
		Contacts	Alireza
		Contact	



**Fig 1-B E-CHM8, 12, 16, 20-190801**

- 1, Staybolt
- 2, Clamp Plate
- 3, Plug
- 4, O-Ring 15 x 2.5
- 5, Inlet & outlet chamber
- 7, Inducer
- 7a, Neck ring cover
- 7b, Neck ring
- 8, Nut
- 9, Washer
- 10, First stage impeller cover
- 11, Impeller
- 12, Diffuser (W/O this part in 1 stages pump)
- 13, Impeller sleeve (W/O this part in 1 stages pump)
- 16, Mechanical seal
- 17, O-Ring 157 x 4.5
- 18, Seal Plate
- 19, Motor
- 20, Base plate
- 21, Screw
- 22, Empty diffuser (used for CHM8-1/12-1/16-1/20-1)
- 23, Discharge
- 24, Top impeller sleeve

描 图	
描 校	
旧底图总号	
底图总号	
签 字	
日 期	

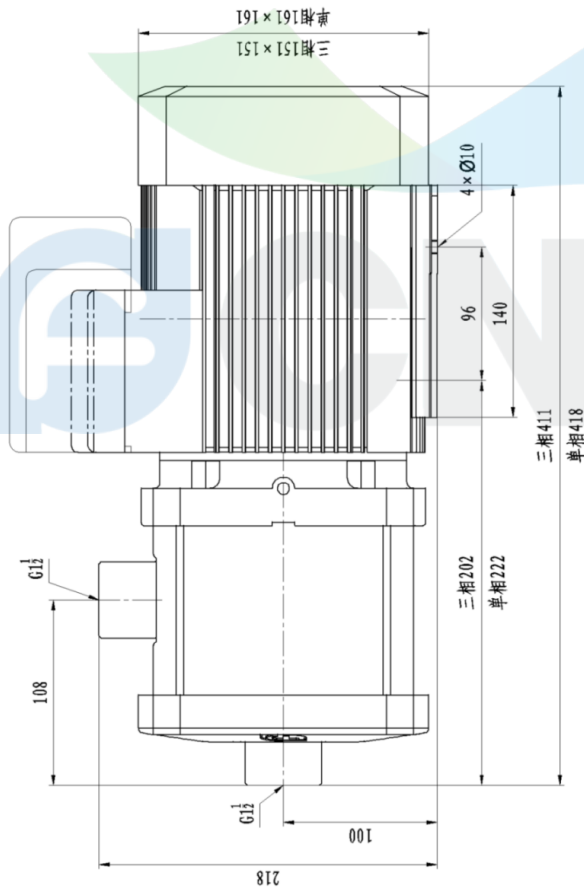
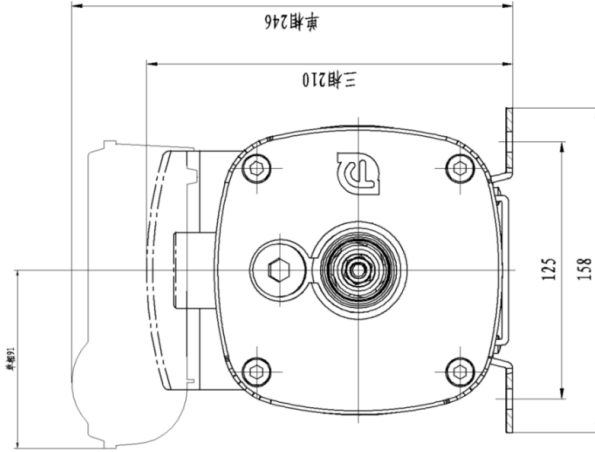


## Dimension Drawing CHM8-3

Manufacturer	CNP
Address	Yuhang District, Hangzhou, Zhejiang,
Contact	86-571-88637351
Date	2022/03/07
Client Name	DPA
Client Addr.	
Contacts	Alireza
Contact	

Project Name

Item NO



CHM8-3



外形图

CHM8-3

图样标记	重量	比例	页
		1:2	
共	页	第	页
设计	校对	审核	工艺
修改文件名	签字	日期	
	标准化	日期	
	审定	日期	

制图  
 审核  
 旧版图号  
 新版图号  
 签字  
 日期